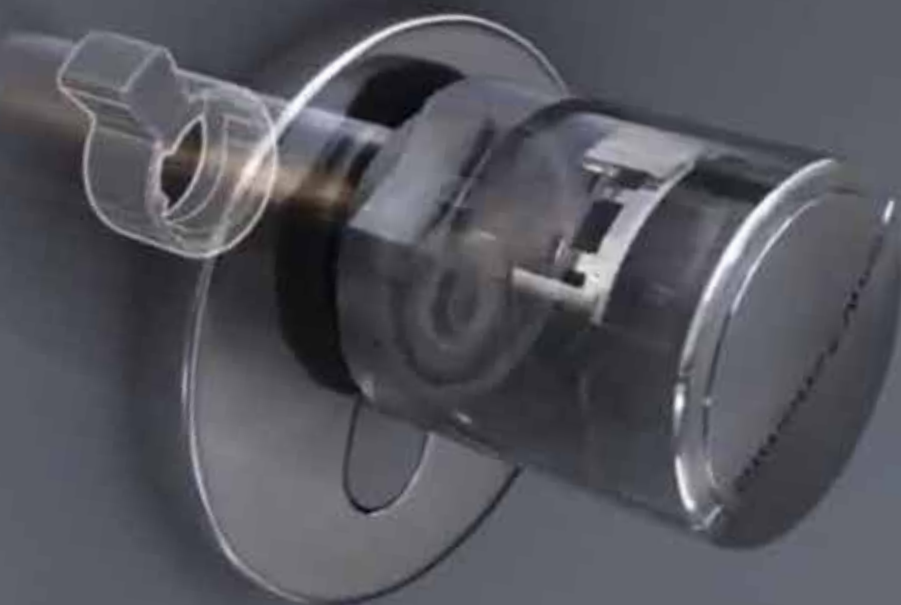


Technical Guide

June 2016





Contents

	Measuring and Selection	4
1	Introduction	6
1.1	Safety instructions	6
1.2	System requirements	6
2	Basic functions	6
2.1	Creating a lock	6
2.2	Creating a key	6
2.3	Assign authorisation and save	7
2.4	Assigning a time plan	7
2.5	Programming components	7
2.6	Resetting components	7
2.7	Exporting access event logging	7
3	Problem solution	10
3.1	Problems with keys (transponders)	10
3.2	Problems with locks (e.g. locking cylinders)	10
3.3	Resetting or reusing deleted components	10
3.4	Reading components	11
4	Declaration of Conformity	11
5	Help & Contact	11

Measure and select the right locking cylinder...

Before ordering the locking cylinder, the required cylinder size first needs to be measured. Inside and outside dimensions are required. A rule or measuring template is used to measure from the centre of the fastening screw to the end of the inlay.

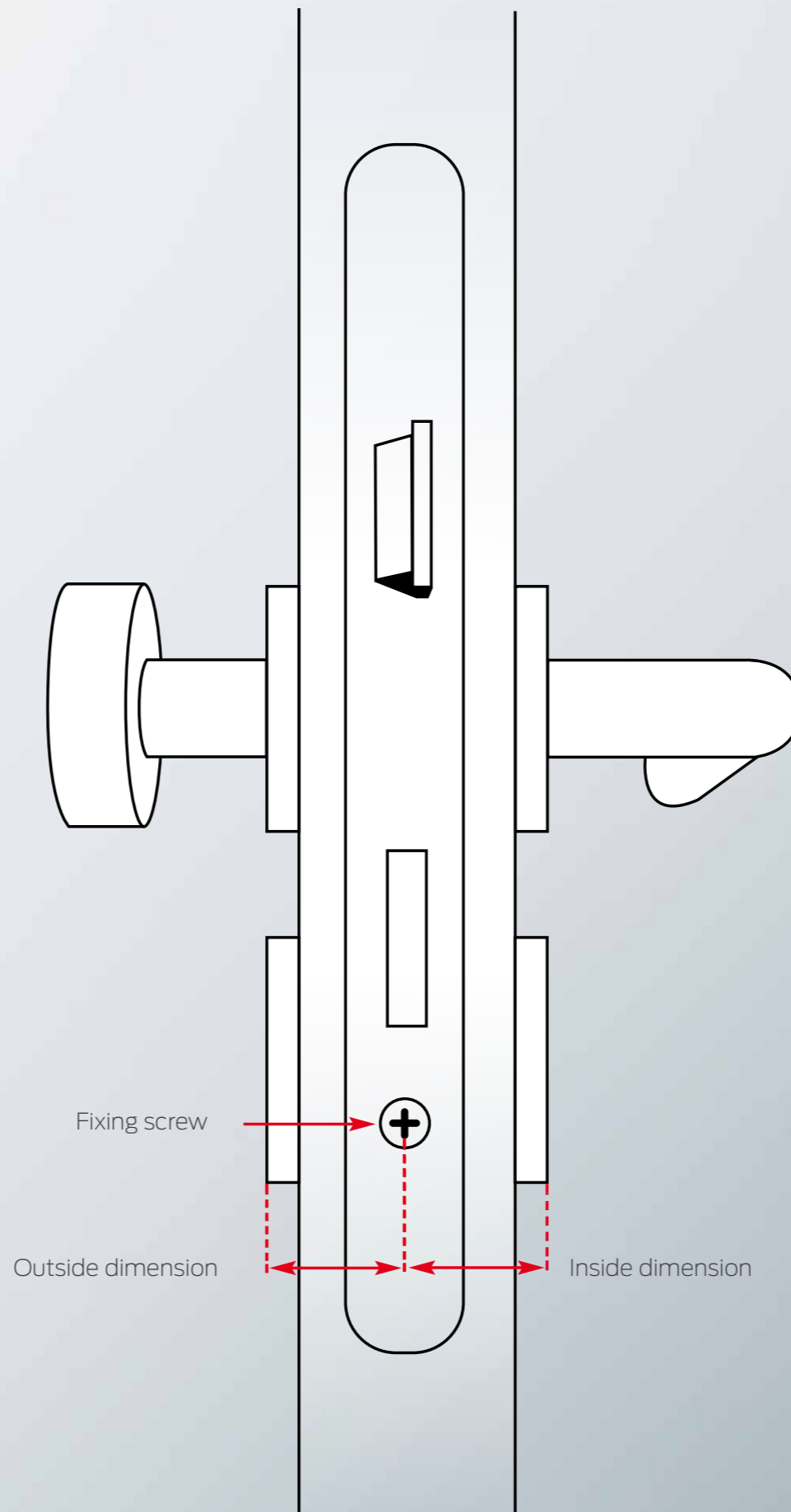
The cylinders are available in length intervals of 5 mm, i.e., 35 or 40 mm. The cylinder housing should seal as flush as possible. For example, if you measure an external length of 38 mm, you should order a locking cylinder with an outside length of 40 mm (VdS allows an excess of up to 3 mm).

Once you've taken the measurements, it's time to select the appropriate cylinder...

There are a wide range of digital locking cylinders available. For example the version with access control, for doors with multi-point locking and fittings with a core protection adapter.



As a half cylinder, it offers you solutions for use in garage doors and lockers, to name but a few.



Locking and much more...

The digital locking cylinder with a whole range of versions.

WITH ACCESS CONTROL

The locking cylinder with the access control option allows you to determine who has access to where and when. In addition, you can see on your PC who has entered which rooms and when.

Electronic locking – ingeniously simple!



Pressing the transponder button at the correct distance unlocks the cylinder. Then you simply need to turn the thumb-turn and the door is open.

MobileKey Manual

1 Introduction

MobileKey is an independent product category for small lock systems. Up to 100 keys (transponders) and 20 locks (locking cylinders and SmartRelays) are supported.

NOTICE The locking plan can only be administered via the MobileKey web application. The app can be reached at www.my-mobilekey.com. Create your free user account here to work with MobileKey.

1.1 Safety instructions

- Access through a door may be blocked due to incorrectly installed or incorrectly programmed SimonsVoss components. SimonsVoss Technologies GmbH is not liable for consequences of incorrect installation, such as blocked access to injured persons, physical damage or any other losses.
- SimonsVoss Technologies GmbH accepts no liability for damage caused to doors or components due to incorrect fitting or installation.
- SimonsVoss components may only be used for their intended purpose: opening and locking doors. No other use is permitted.
- Modifications or further technical developments cannot be excluded and may be implemented without prior notice.

1.2 System requirements

The locking plan can be viewed and processed platform independently with any standard browser. The following end devices are recommended for best-possible working conditions:

- Computer with Windows 7, 8 or 10; Internet Explorer, Firefox or Chrome.
- Mac devices from 2013.
- Latest Android devices.
- Latest iPhones and iPads.

A permanent Internet connection has to be in place. High-speed Internet is required for proper functionality.

NOTICE Programming with the USB config device is currently only possible with a computer equipped with Windows 7, 8 or 10 and Internet Explorer, Firefox, Chrome or Opera! The latest .NET Framework (Version 3.5 or later) by Microsoft must be installed on the computer.

2 Basic functions

When logging into your MobileKey account for the first time, a wizard appears to help you set up your account. The wizard will help you create locks and keys with the greatest comfort and ease.

2.1 Creating a lock

1. Click on the add-lock symbol (PLUS sign beneath the "SAVE" button).
2. Select lock type, e.g. "Cylinder" for a regular locking cylinder
3. Assign a name, e.g. Front door.
4. Select a mode.
 - Click on "Opening duration in seconds" and define the time that that lock should remain engaged. (RECOMMENDED SETTING!)
 - Click on "Permanently open" to activate the FlipFlop mode. The lock will remain engaged until the lock is actuated once again.
5. Save new lock.
 - "Save" saves the lock and takes you back to the matrix view.
 - "Save + copy" saves the lock and prepares a further lock with the exact same properties.

2.2 Creating a key

1. Click on the add-key symbol (PLUS sign to the right of the "SAVE" button).
2. Select a key type, e.g. "Transponder".
3. Assign a name e.g. "Sam Sampleton"
4. Optional: Assign validity.
 - "Valid from": Define a date from which the authorisation is to be granted for a key in the lock system.
 - "Valid to" Define a date up to which the authorisation is to be granted for a key in the lock system.
5. Save new key.
 - "Save" saves the key and takes you back to the matrix view.
 - "Save + copy" saves the key and prepares a further key with the exact same properties.

2.3 Assign authorisation and save

In the matrix view, you can assign or withdraw authorisations.

- Authorising a key for a lock: Click on the empty field in the intersection of the key and the lock to enable it.
- Withdrawing an authorisation of a key from the lock: Click on the respective cross in the intersection of the key and the lock to remove it.

NOTICE Changes are shown with a yellow border. These changes must be saved (applied) before programming by pressing the "SAVE" button!

NOTICE All changes and authorisations of the components must be programmed with the programming app before they actually come into effect.

2.4 Assigning a time plan

This additional function is optional. You are not required to make use of it. There are basically two types of time plans:

- Week plan: Individual time intervals can be assigned to each day of the week. EXAMPLE: The housekeeper only has access on certain days and at certain times - e.g. Mondays 8 a.m. to noon and Thursdays 1p.m. to 3.30 p.m.
- Day plan: A general time zone plan can be created for an entire week. EXAMPLE: Employee John Dorian has an authorisation for locks from Monday to Friday from 7 a.m. to 7 p.m.

Proceed as follows to assign a key to a time plan:

1. Click on the desired key in the matrix view.
2. Click on "time plan".
3. Select the type of time plan.
 - Week plan: Select the day and "Create time interval". Several time intervals can be created on various days.
 - Day plan: Click on "Exclude weekend" if the plan should only apply from Monday to Friday. Then "Create time interval". Several time intervals can be created.
4. "Save" saves the key and takes you back to the matrix view.

NOTICE If a time interval extends past midnight, two time intervals have to be created: one time interval from "time before midnight to midnight" and one "Midnight to the time after midnight".

2.5 Programming components

The programming app has to be downloaded and installed once. Plus the username and password have to be entered again. For programming, the USB config device has to be connected to the USB port of the computer.

This is pointed out as soon as you click on Menu/Programming. The message that appears now contains a direct download link. Install the programming app. You need administrator rights to install the programming app.

Proceed as follows to start the programming app from the MobileKey web application and to perform the individual programming tasks:

Start the programming app via Menu/Programming and perform all tasks shown to you.

2.6 Resetting components

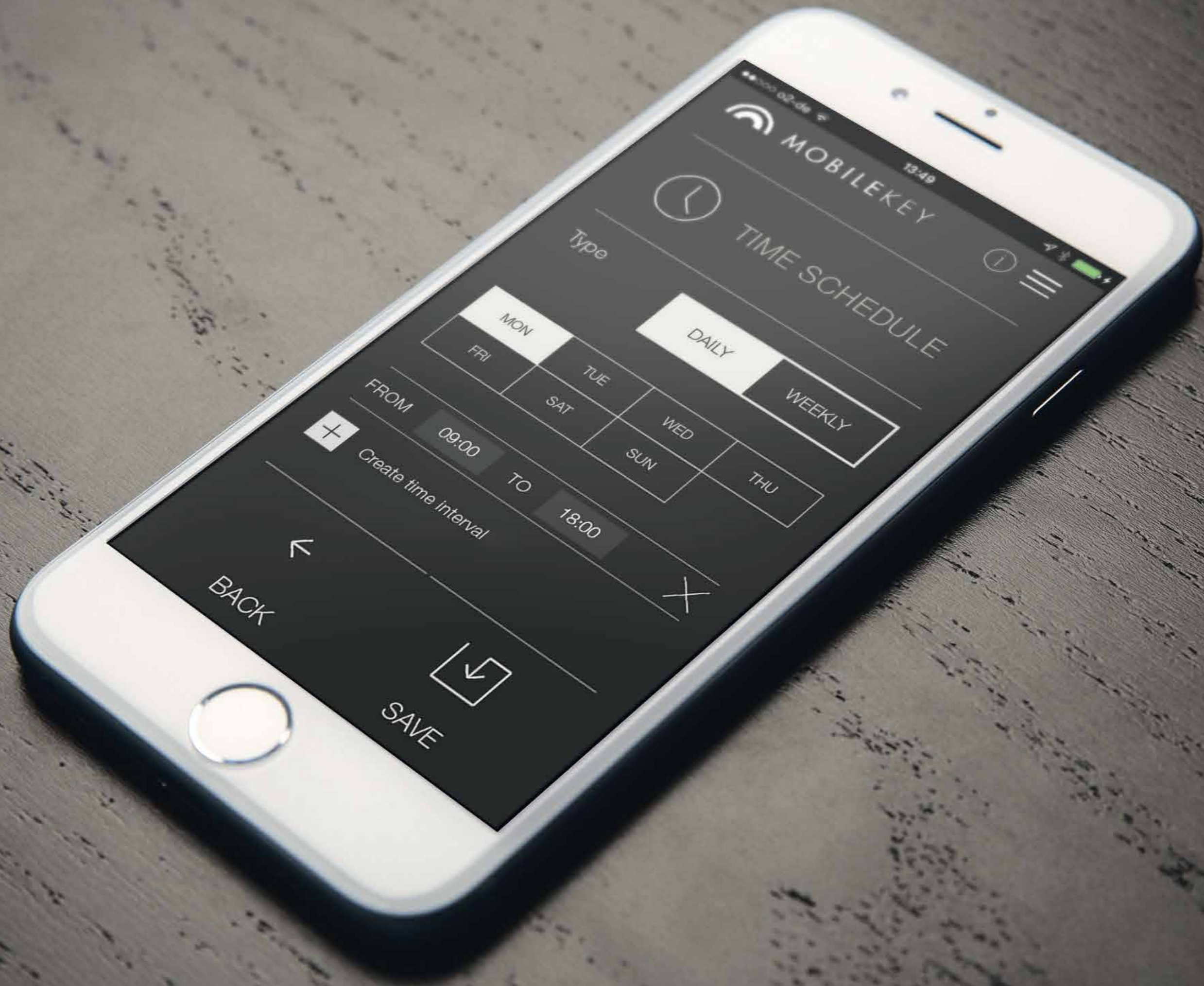
Components can be easily reset. They are then in the unprogrammed storage mode.

1. Click on the respective component.
2. Select the "Delete" option.
3. Start the programming app via Menu/Programming and perform all tasks.
 - Once you have successfully completed programming, the components are also deleted in the locking plan.

2.7 Exporting access event logging

Every time a key is used, the event is logged in the lock. Proceed as follows to view the access event log:

1. Click on the desired programmed lock in the matrix view.
2. Select "Access event log".
3. Change the period of the access event log if necessary.
4. Click "Export log".
 - The command "Export access event log" is sent as a task to the programming app.
5. Start the programming app via Menu/Programming and perform the task.
6. Close the programming app
7. Select "Show log".



MOBILEKEY



TIME SCHEDULE

Type

DAILY

WEEKLY

MON

FRI

TUE

SAT

WED

SUN

THU

FROM

09:00

TO

18:00



Create time interval

BACK



SAVE

MobileKey Manual

3 Problem solution

The following contains help with potential routine problems.

3.1 Problems with keys (transponders)

Keys and transponders can be lost, damaged or stolen. With all scenarios the old key is deleted in the locking plan and a replacement key has to be created. For security reasons, the authorisations for the deleted key have to be deleted in all locks. This is done by reprogramming all locks.

The following procedure replaces a "no longer existent" or defective key with a new one.

1. Search for the affected key in the locking plan and withdraw all authorisations for the locks. Save changes.
2. Click on the key in the locking plan and press "Delete".
 - The key is earmarked for resetting. This task is processed later in the programming app.
3. If a key is lost, stolen or defective: Click on the key in the locking plan and press "Force deletion".
 - The key is now deleted from the locking plan; however it is not yet blocked in the lock.
4. Optional: Create a new key, set authorization and save.
5. Start the programming app via Menu/Programming and perform all tasks.
 - The following programming tasks can be expected: Remove the authorisations of the deleted key in all locks and optionally authorise a new key for the locks.

NOTICE Caution! A stolen key remains authorised in the lock system until all authorisations have been removed and the locks have been reprogrammed!

NOTICE Please note: If you lose a key, for safety reasons please reprogram all locks anew!

3.2 Problems with locks (e.g. locking cylinders)

Locks and locking cylinders can become defective under certain circumstances. First change the batteries of the lock and try to reprogram it. If it still doesn't work properly, it will have to be exchanged.

If you need a lock with other properties, it can simply be replaced.

Proceed as follows to exchange a lock:

1. Remove the affected lock from the door.
 - It may be difficult to remove a lock from a locked door. If necessary, consult the specialist dealer who installed your SimonsVoss products.
2. Click on the lock in the locking plan and press "Delete".
 - The lock is earmarked for resetting. This task is processed later in the programming app.
3. In the case of a defective lock: Click on the lock and select "Force delete".
 - The lock is irrevocably deleted from the locking plan.
4. Create a new lock, assign authorisations and save.
5. Start the programming app via Menu/Programming and perform all tasks.

3.3 Resetting or reusing deleted components

If you have deleted a SimonsVoss component (e.g. a key or a lock) from the lock system without having reset it properly beforehand, it can be put to further use nevertheless:

1. Set up the respective component (e.g. key or transponder) in the locking plan.
2. Start the programming app via Menu/Programming and perform all tasks.
 - An error message appears during the first attempt to reprogram the component.
3. Perform the task again.
 - The component is now reprogrammed.

Always reset components properly to avoid this problem!

3.4 Reading components

You can read out all MobileKey components to subsequently find out what their intended purpose is. This may e.g. be important if you find a key (e.g. a transponder) that you cannot assign to any user.

How to quickly read out MobileKey components:

1. Start the programming app via Menu/Programming.
2. Click on the button "Read-out".
3. Select the components that you would like to read out.

The feedback shows you e.g. the name of the key (e.g. Sam Sampleton) or whether a MobileKey components is in unprogrammed storage mode.

4 Declaration of Conformity

You can access documents such as declarations of conformity and other certificates online at www.simons-voss.com.

5 Help & Contact

Instruction manuals

You will find detailed information on operation and configuration online on our homepage at www.simons-voss.de in INFOCENTER > DOWNLOADS

Hotline

The SimonsVoss service hotline is available to help you on +49 (0) 89 99 228 333

Email

Would you prefer to send us an email?
hotline@simons-voss.com

FAQs

You will find information and help for SimonsVoss products in the FAQ section www.simons-voss.de in INFO CENTRE > FAQ SECTION

SimonsVoss Technologies GmbH

Feringastrasse 4
85774 Unterföhring
Germany

About Allegion

Allegion (NYSE: ALLE) is a global pioneer in safety and security, with leading brands like CISA®, Interflex®, LCN®, Schlage® and Von Duprin®. Focusing on security around the door and adjacent areas, Allegion produces a range of solutions for homes, businesses, schools and other institutions. Allegion is a \$2 billion company, with products sold in almost 130 countries.

For more, visit allegion.com/uk

Allegion (UK) Limited

For up-to-date address and telephone number, please visit the Allegion UK website

Email: contactuk@allegion.com

Web: www.allegion.com/uk/mobilekey