

1413 Series

Outside access devices

A series of outside access devices which can be used with any of the Briton 376 Series, Briton 560 and Briton 570 Series panic and emergency exit devices. They provide a simple means of accessing the door from the outside.



Certification

- EN 1906 - Grade 4
- Fire tested to EN 1634 for use on fire doors up to 2hr timber / 4hr steel
- EN 1670 Grade 3 corrosion resistance
- DoP available at www.britoninspec.co.uk

Applications

- For all high traffic applications - tested up to 200,000 cycles
- Suitable for Briton 376 Series panic and emergency exit hardware, Briton 560 Push Bar and Briton 570 Touch Bar panic exit hardware
- Suitable for single or double doors 40 - 100mm thick
- One model suitable for left and right hand doors

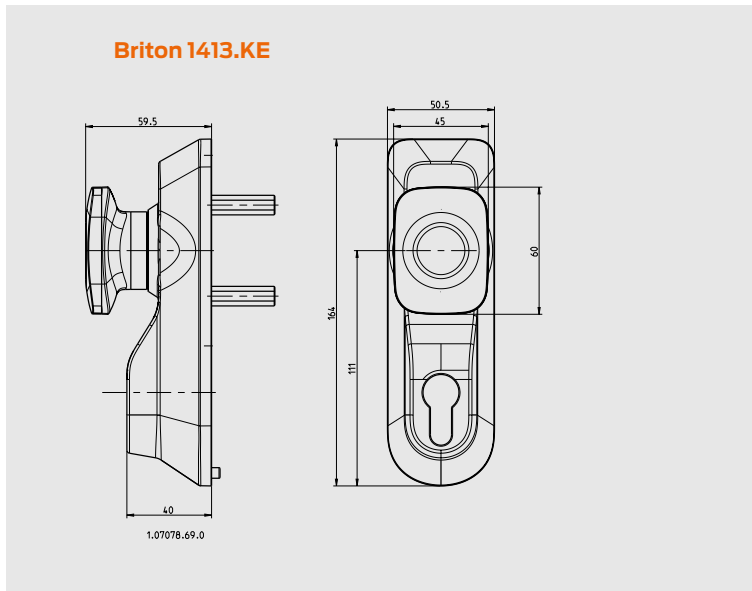
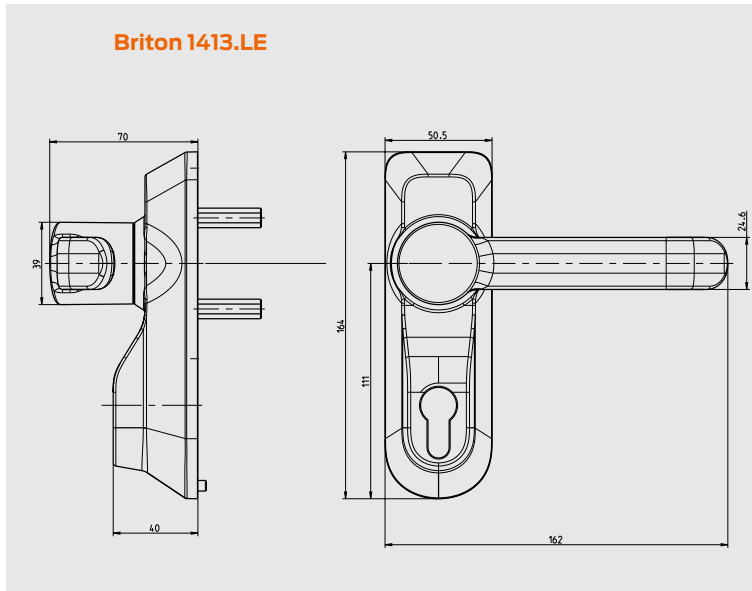
Features and Functions

- Anti vandal design includes a clutch mechanism which allows the lever to rotate when the unit is locked
- Long lever provides good grip and easy action
- Easy retrofit on existing Briton 1413E models
- Common footprint allows units to be interchanged
- Supplied with 40mm euro profile standard differ cylinder (also available keyed alike or masterkeyed)
- Cylinders can be incorporated into existing masterkey systems
- Lever version is site reversible
- Lever version is BS 8300 compliant
- Optional key retention
- Silver finish as standard
- Also available in plated finishes, PB, SS, PS

Briton

1413 Series

Outside access devices



Code	Description
1413.KE	Outside access device with knob operation - silver finish
1413.N.KE	Outside access device with knob operation - no cylinder - silver finish
1413.LE	Outside access device with lever operation - silver finish
1413.N.LE	Outside access device with lever operation - no cylinder - silver finish



Allegion (UK) Limited
35 Rocky Lane, Aston, Birmingham B6 5RQ

Tel: +44 (0) 121 380 2400
Email: inspec@allegion.com