



## 2820 Series

### Floor spring door controls

Mounted within a low profile cement box, the Briton 2820 Series floor springs are suitable for single and double action doors with a maximum opening angle of 130°. They are ideally suited to timber, metal and tempered glass doors.



#### Certification

- CE Marked to EN 1154
- Fire tested to EN 1634 for use on timber fire doors up to 1hr rating
- DoP available at [www.britoninspec.co.uk](http://www.britoninspec.co.uk)

#### Features & Functions

- High grade cast iron floor spring body.
- Heat treated high alloy steel mechanism with ball bearing race for optimum efficiency.
- Corrosion resistant galvanised steel, zinc coated and powder coated steel cement box.
- Low profile 40mm deep cement box.
- Fixed power units for EN 3 or EN 4
- Mechanical hold-open variants (not suitable for use on fire doors)
- Full adjustment of the mechanism for perfect door alignment.
- Adjustable for closing speed and latch action
- Stainless steel cover plate available in satin or polished finish.
- Hardened steel spindle with spindle cover plate.
- Easy access to floor spring adjustments for closing speed and latch action. Adjusters cannot be backed out of the closer body.

### Briton

### 2820 Series

### Floor spring door controls

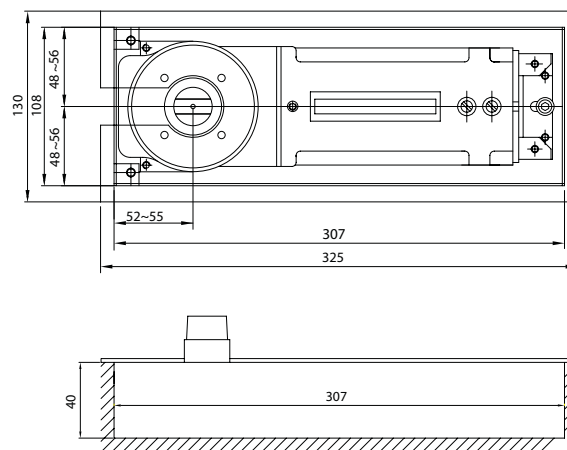
■ Standard    □ Available as an option/variant

Product features	2823.SS	2824.SS	2823.SS.HO.90	2823.SS.HO.105
CE marked	■	■		
Fixed closing power EN size	3	4	3	3
Conforms to EN 1154	■	■	■	■
Suitable for single action doors	■	■	■	■
Suitable for double action doors	■	■	■	■
Maximum angle of opening	130°	130°	130°	130°
Adjustable closing speed & latch action	■	■	■	■
Mechanical hold-open (non fire doors)			■ 90°	■ 105°
Dimensions	cement box 307 x 108 x 40mm; cover plate 325 x 130mm			
Cover plate in satin stainless steel	■	■	■	■
Cover plate in polished stainless steel	□	□	□	□
Guarantee period	10yrs	10yrs	10yrs	10 yrs
<b>CE Classification</b>	<b>4 8 3 1 1 3</b>	<b>4 8 4 1 1 3</b>		

#### Accessories

A range of accessories to suit single or double action doors is available.

Single action pivots have covers in a satin stainless finish.



**ALLEGION** 

**Allegion (UK) Limited**  
35 Rocky Lane, Aston, Birmingham B6 5RQ

Tel: +44 (0) 121 380 2400  
Email: [inspec@allegion.com](mailto:inspec@allegion.com)