



## LCN 4040 Series

### High performance door controls

The 4040 Series is LCN's most durable and flexible heavy duty closer, fully certified to both EN 1154 and to ANSI A156.4. With over 10 million test cycles undertaken, the LCN4040 will cope with even the most gruelling applications and has earned an unrivalled reputation for extreme durability and reliability in use.

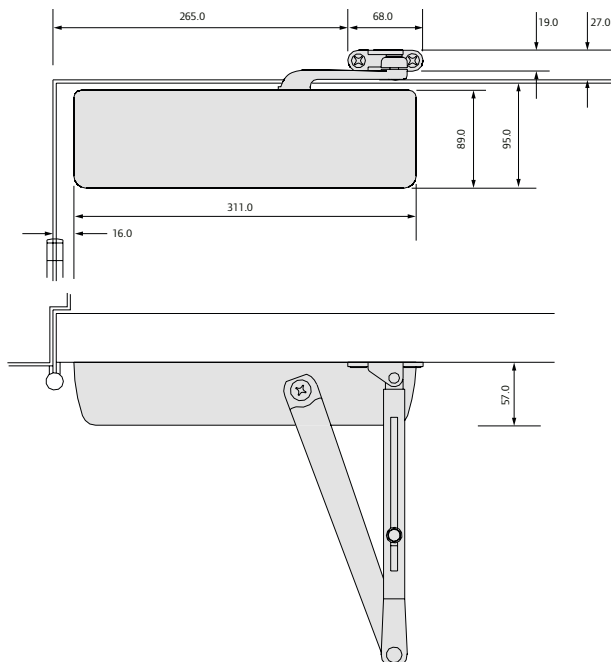
Available for regular, transom and parallel mounting applications plus versions with track arm and electro-magnetic hold-open.



LCN 4040SE with electromagnetic hold-open facility in the slide track



LCN 4040XP with projecting armset



#### Certification

- CE Marked to EN 1154 and EN 1155
- ANSI A156 Approved
- Fire tested to EN 1634 for use on fire doors up to 2 hours timber
- DoP available at [www.britoninspec.co.uk](http://www.britoninspec.co.uk)

#### Features & Functions

- Cast iron body and forged steel armset.
- Double heat treated steel pinion for exceptional resistance to wear and tear.
- Silicon chrome alloy steel springs for superior strength and reliability.
- Full compliment low friction bearing.
- LCN Green Dial spring force indicator to provide visual identification of the closer power setting.
- Over 10 million test cycles to ANSI A 156.4
- Self adhesive installation template reduces installation time and dramatically improves accuracy of fitting.
- 'All-over' metal cover in a range of architectural finishes with matching arms (or track).
- Electromagnetic hold-open version (4040 SE (hold-open between 90° to 120°).

**Briton**

**LCN 4040 Series**

**High performance door controls**

Product features -ANSI	Product references		
	4040XP	4040XPT	4040SE
ANSI Standard 156.4 Grade 1	■	■	
ANSI Standard 156.15 & NFPA 101			■
ANSI Maximum door width (interior/exterior) mm	1524/1219	1219/-	1219/-

Product features - CE	Product references		
	4040XP	4040XPT	4040SE
CE marked and EN 1154 compliant	■	■	
CE marked and EN 1155 compliant			■
EN power size (Regular fixing - door mount pull side)	1 - 5	2 - 4	3 - 4
EN power size (Parallel fixing - door mount push side)	1 - 5		
EN power size (Transom fixing - pull side)		1 - 3	
<b>CE Classification</b>	3 8 1-5 1 1 3	4 8 2-4 1 1 3	3 8 3-4 1 1 3

Product features	Product references		
	4040XP	4040XPT	4040SE
Adjustable closing power with Green Dial indicator	■	■	■
Installation template	■	■	■
Maximum angle of opening (controlled closing)	180°	120°	110°
Adjustable closing speed & latch action	■	■	■
Adjustable backcheck	■		■
Delayed action	□		
Tri-pack armset for door or transom mounting	■		■
Mechanical hold open facility (non fire doors)	□	□	
Electromagnetic hold-open facility			■
Projecting arm closer	■		■
Slide channel and arm		■	■
Finishes available	7 no. painted finishes available		
Warranty period	10yrs	10yrs	10yrs

■ Standard    □ Available as an option/variant



**Allegion (UK) Limited**  
35 Rocky Lane, Aston, Birmingham B6 5RQ

Tel: +44 (0) 121 380 2400  
Email: inspec@allegion.com