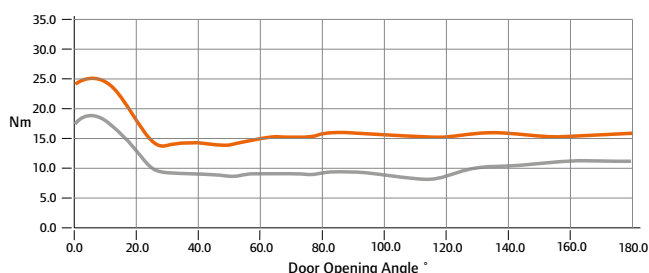




2400 Series

Concealed cam action door controls

Briton 2400 Series offers the easy opening characteristics of the linear cam action technology in a fully concealed door closer package. The low initial opening forces of the cam action design enable allow easy access for less able users whilst maintaining the closing forces needed for fire safety.



Force Profile

- Opening Moment
- Closing Moment



The closer body can be mounted in the top of the door or in the underside of the transom.

2420 with trimplate - door mounted with the slide track in the underside of the transom or head frame



2420 showing adjustments screws which are easily accessed on the top of the closer body



Certification

- CE Marked
- EN 1154 Power 2 - 4
- Fire tested to EN 1634 for use on fire doors up to 90 minutes timber*
- DoP available at www.britoninspec.co.uk

Features & Functions

- Compact, extruded aluminium body and slide track requiring minimal removal of material from the door and frame.
- High performance cam action technology allows reliable closer power setting for fire door applications yet still be easy to open.
- Suitable for non-fire doors 44mm thick and fire doors 54mm thick.
- Needle roller bearings provide increased bearing load for efficient operation and improved reliability.
- Adjustable power, EN 2-4.
- Silicon chrome alloy steel springs for superior strength and reliability.
- High quality hydraulic fluid with built-in temperature compensation.
- Powder coated or plated steel track arm with nylon runner.
- Non handed design is suitable for all applications and has a maximum opening angle of 120°.
- Optional cushion stop (ref: 2420.CS) helps prevent doors coming into contact with adjacent walls (note: this is not a backcheck function).
- Optional mechanical hold-open facility (**Not to be used on fire door applications**).

* Fire tested to EN1634-1 on 54mm timber doors to achieve a 90 minute fire rating when installed with the approved intumescent gasket set (Briton 2420.IP)

Briton

2400 Series

Cam action door controls

Product features	Product ref.
	2420T
CE marked and EN 1154 compliant	■
Variable closing power EN size	2 - 4
Min. door thickness:	
- FD60 - timber doors	54mm
- FD90 - composite doors	60mm
Maximum angle of opening	120°
Separate closing speed & latch action adjustment	■
Cushion stop	□
Hold open facility	□
Arm & track finish	Silver, SS or PS
Dimensions (L x D x H mm)	242 x 42 x 32
Channel/slide arm	440 x 17
Warranty period	10yrs
CE Classification	3 8 2-4 1 1 3

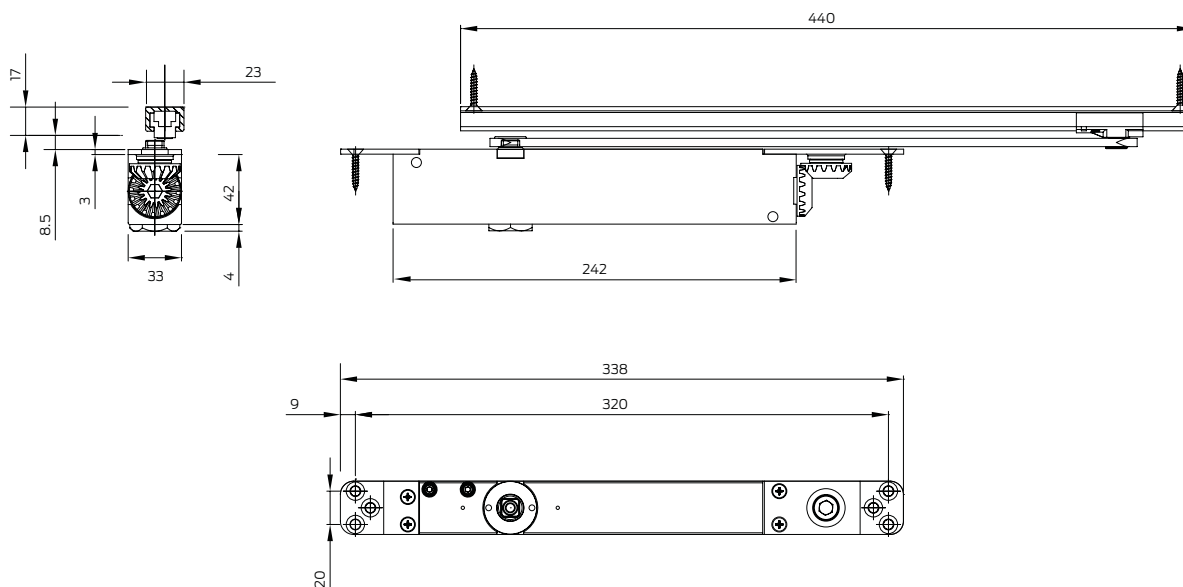
Specification Tip

Intumescent gasket set (2420.IP)

A significant amount of fire resisting doorset material is removed when concealed closers are mortised into the door leaf. The intumescent gasket set will provide the additional performance that is required to protect the door from integrity failure during fire conditions.

It is particularly important with these closers to check that the details of the fire test certification are relevant to your intended door application.

- Standard
- Available as an option/variant



ALLEGION 

Allegion (UK) Limited
35 Rocky Lane, Aston, Birmingham B6 5RQ

Tel: +44 (0) 121 380 2400
Email: inspec@allegion.com