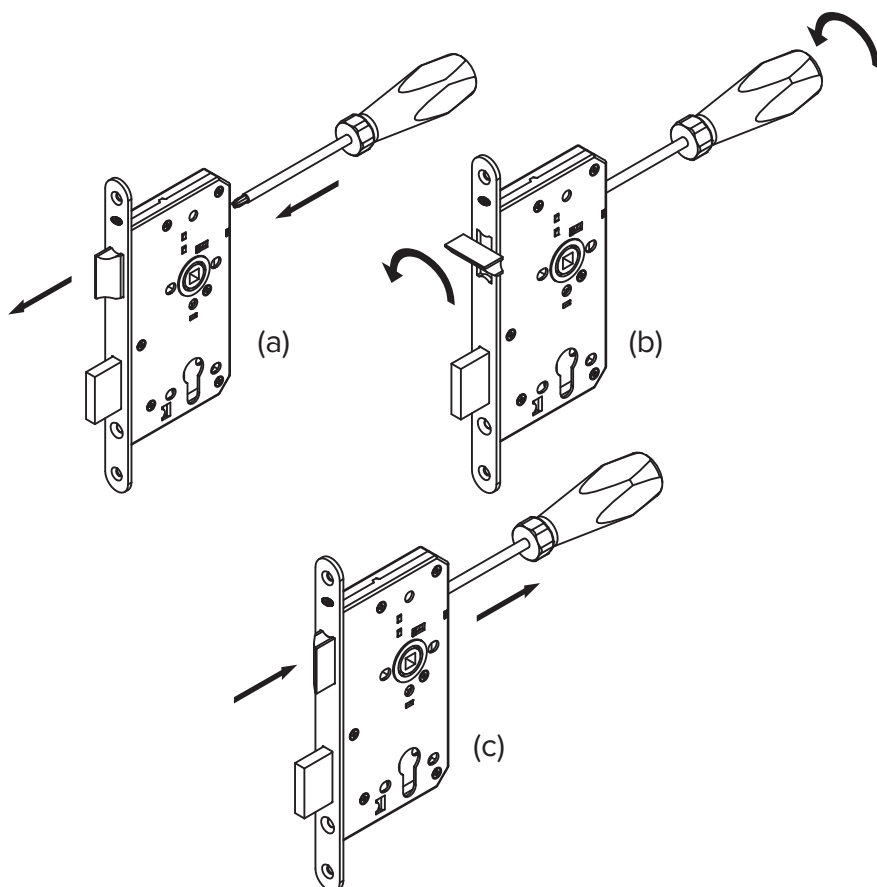


# Installation Instructions

## European 72mm Contract Lock Range


5400/099/00  
REVISION E

### Changing the Handing of The Lock (If Required).



- 1) Using a pozidrive screwdriver, insert into the hole at rear of case and locate into the pozidrive screw.
- 2) Push forward on screw, pushing the latch head free of the forend. (a)
- 3) Rotate **clockwise** until the latch head is in the correct position. (b)
- 4) Once rotated, remove the screwdriver allowing the latch to withdraw into the forend profile. (c)

**THERE IS NO NEED TO OPEN THE LOCKCASE.**

<b>CE</b>		 ALLEGION 35 Rocky Lane, Aston, Birmingham, B6 5RQ, UK United Kingdom	
<b>5410</b>			
2812 - CPR - AG0017		<b>2005</b>	
EN 12209 : 2003 : AC:2005 3 X 8 1 0 G 2 B C 0 0			
<b>5420 - 5430 - 5440</b>			
2812 - CPR - AG0018		<b>2005</b>	
EN 12209 : 2003 : AC:2005 3 X 8 1 0 G 2 B C 2 0			
3 X 8 1 0 G - B G 2 0			
3 X 8 1 0 G - B 0 2 0			
<b>5470</b>			
2812 - CPR - AG5190		<b>2010</b>	
EN 12209 : 2003 : AC:2005 NPD C 8 1 0 G - B 0 0 0			

<b>UK CA</b>		 ALLEGION 35 Rocky Lane, Aston, Birmingham, B6 5RQ, UK United Kingdom	
<b>5410</b>			
1121 - CPR - UK - AG7625		<b>2021</b>	
<b>5420 - 5430 - 5440</b>			
1121 - CPR - UK - AG7626		<b>2021</b>	
<b>5470</b>			
1121 - CPR - UK - AG7646		<b>2021</b>	

### Lock Installation

#### Tools Required:-

- Pencil. • Screwdriver (Pozidrive No.2 Point).
- 22mm and 10mm drill bits. • Suitable chisel

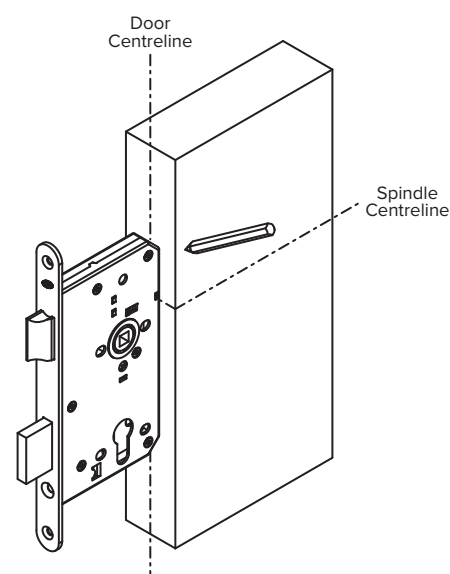
#### IMPORTANT Fire Door Installation:-

When installing this product to a fire resistant door you must ensure;

When fitted to timber doors the lock must be fitted in conjunction with the intumescent protection detailed to ensure that the integrity of the door is maintained in a fire situation.

When installing the 5470 roller latch to a fire resistant door you must ensure a suitable door closer is fitted on all fire doors in accordance with Approved Document B (fire safety) 2006 and the new construction Products Regulation 2013.

- 1) Mark on the centreline of the door and the centreline of the spindle, transferring spindle C/Line to the face of the door.
- 2) Align spindle with spindle C/Line, position lock centrally about C/Line and mark around lock case.
- 3) Prepare a slot to suit lock case ensuring a good, but not overtight fit.

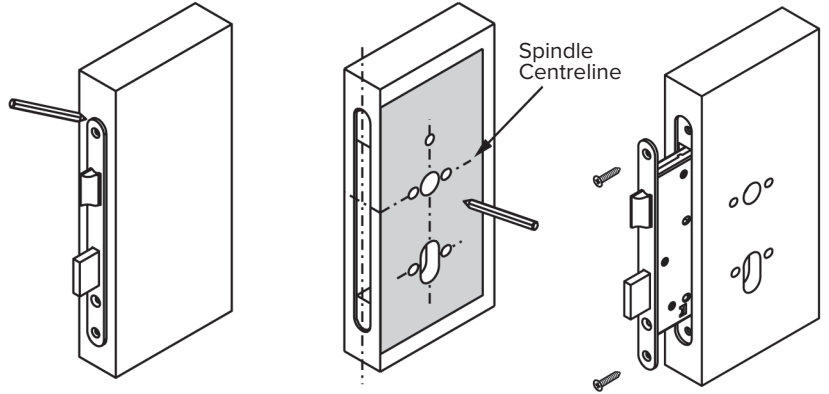


- 4) Insert lock into door, mark around forend, remove lock then recess door 3 - 3.5mm deep to allow flush fitting.
- 5) Place template against edge of door, align centreline of the spindle and mark position of the spindle, keyhole and any relevant fixing holes on the door.

**NB. If using bathroom or bolt through options, drill holes according to template.**

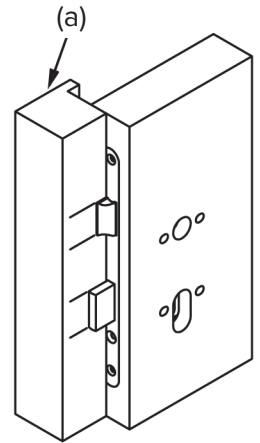
- 6) Drill required holes from both sides of the door into the mortice.
- 7) Remove all debris from the mortice and insert lock into door, fixing in place with screws provided.

Check operation of lock.



### Striker/Locking Plate Installation

- 8) Close the door and mark the latch/bolt position onto frame, (dependant on variant).
- 9) Transfer the lines from both latch and/or bolt onto the edge of the tframe to mark the vertical positions (a).



Position the striker/locking plate (**ensuring latch/bolt head lines up with cutout in striker by measuring distance 'b' in Fig.1**) and prepare the frame to accept the plate, taking note to relieve the material for the latch and bolt sections, (where applicable).

#### IMPORTANT NOTE:-

Cylinder must be rotated twice to achieve full throw of deadbolt (20mm).

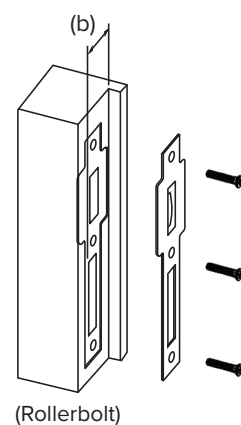
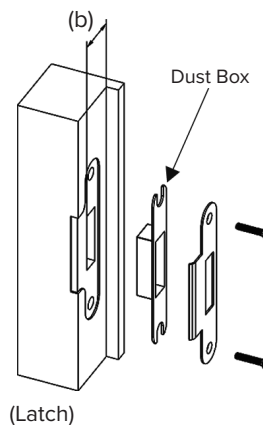
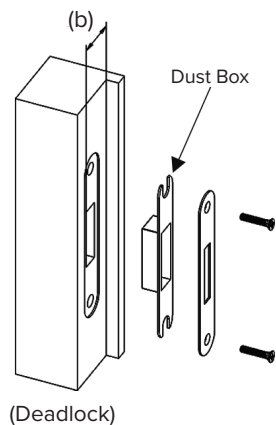
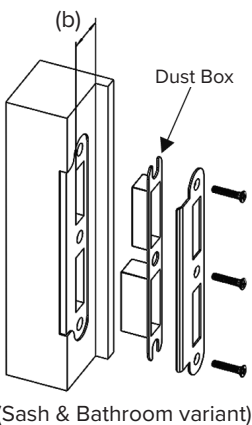
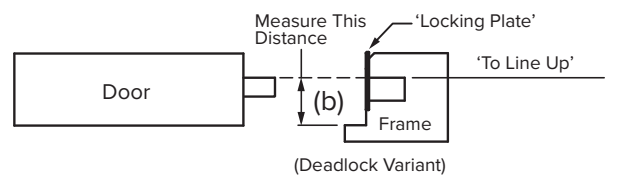
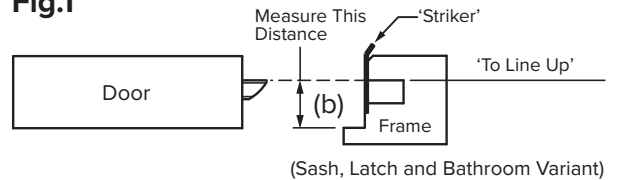
**Remove sufficient material to allow deadbolt to be fully thrown.**

Countersink the screw holes in the frame to ensure flush fitting of the striker/locking plate.

Secure striker/locking plate with screws provided.

- 10) Fit door furniture and check lock operates freely with door closed.

**Fig.1**

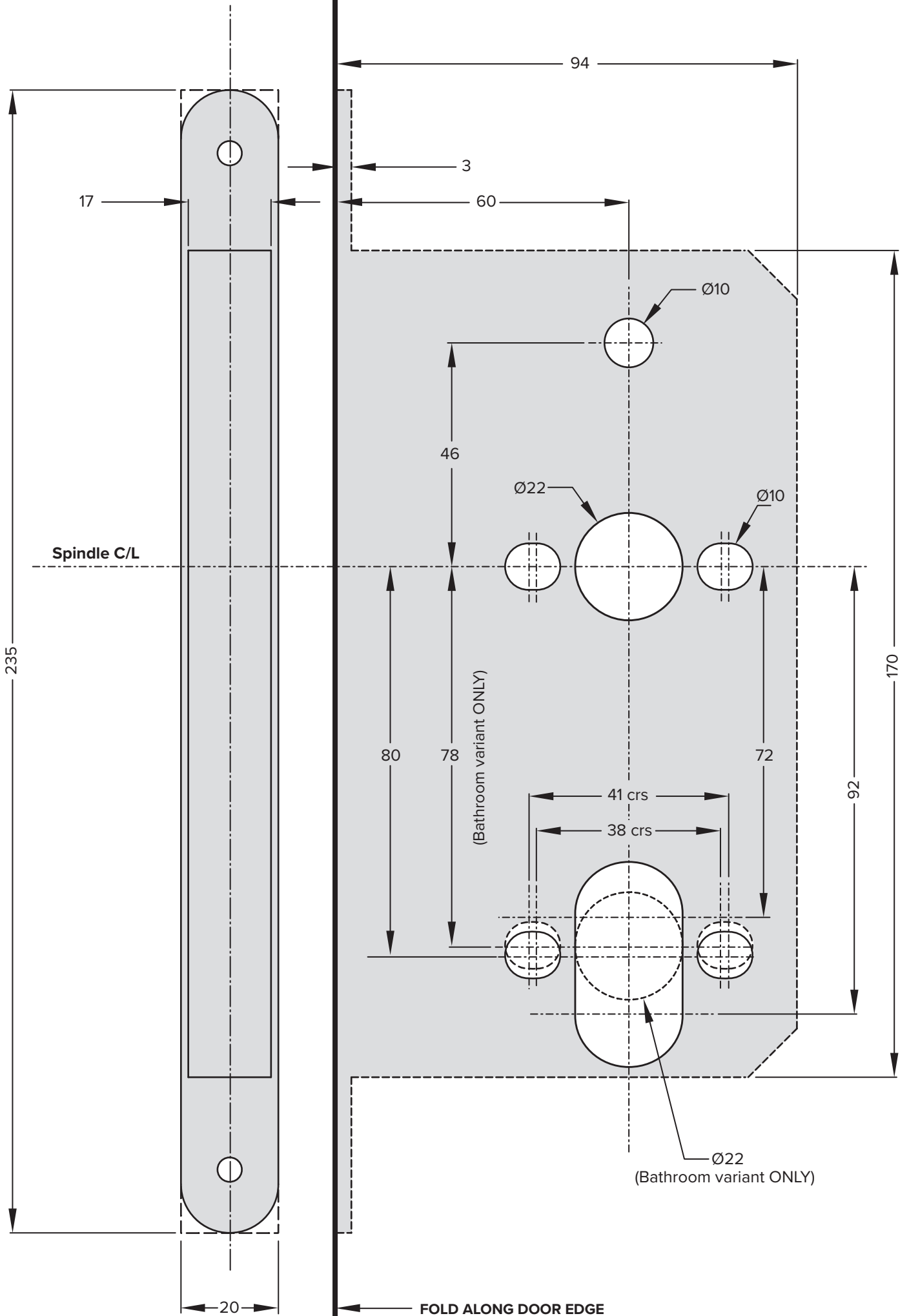


Note: "Plastic dust boxes must only be used on timber or mineral composite based doorsets. Use on metal doorsets will invalidate the fire test evidence".

C/Line of Door

FOLD ALONG DOOR EDGE

All dimensions in mm



All dimensions in mm

FOLD ALONG DOOR EDGE

C/Line of Door

