

Briton

CISA eSigno

Access control system

Battery powered contactless reader in an elegant and compact unit designed specifically to meet the needs of the hospitality industry.



Additional systems components include encoder, optional wireless controller and wall readers

Certification

- Compatible with products which comply with standards EN1634 Parts 1 & 2, EN179 and EN12209
- Fire tested to EN 1634 for use on fire doors up to 1hr timber
- DoP available at www.britoninspec.co.uk

Applications

- For all hospitality applications from large chains to small family run and boutique hotels
- Suitable for new or retrofit applications
- Easy to install with no wiring required

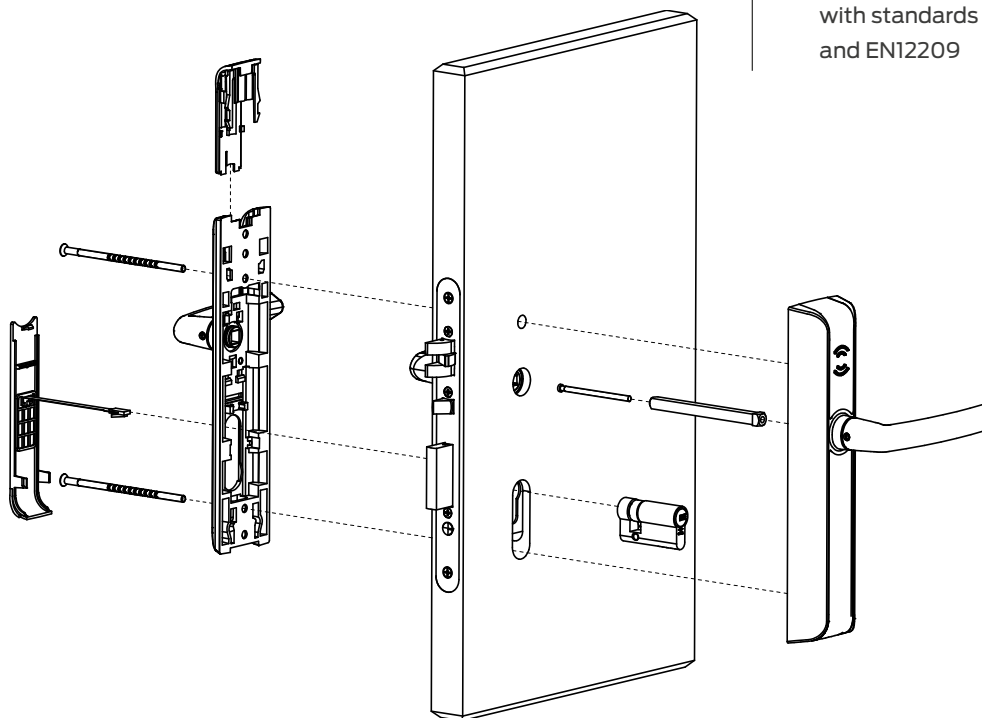
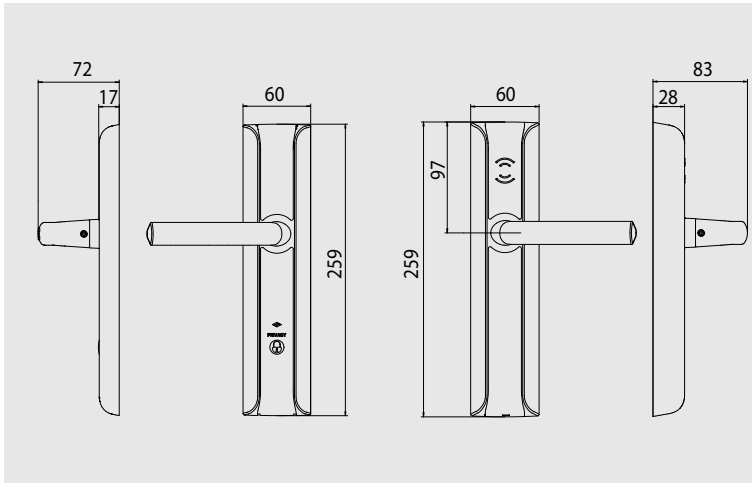
Features and Functions

- CE marked
- IP 55 protection rating (in the outdoor installation version)
- Contactless reader
- Battery operated wireless self contained units comprising external reader unit and internal handle
- Can be configured as stand alone or part of a wireless network
- Do Not Disturb indicator
- NFC compatible
- Compatible with 8 mm square spindle locks
- Euro profile mechanical override cylinder
- Standard and RTD lever options
- Available in 4 finishes, satin silver, polished silver, satin gold, polished gold

Briton

CISA eSigno

Access control system



Specifications

- NFC compatible contactless lock
- IP 55 protection rating (in the outdoor installation version)
- Contactless reader for standard credentials ISO14443B / Mifare ISO 14443A, NFC ready
- Wireless option (2.4 GHz Zigbee)
- Audit trail of 500 events
- Up to 60 auto-programmable timetables
- Batteries: 3 AAA batteries for 30,000 events
- Compatible with 8 mm square spindle locks
- Operating temperature: from -10°C to 70°C
- Compatible with products which comply with standards EN1634 Parts 1 & 2, EN179 and EN12209

ALLEGION 

Allegion (UK) Limited
35 Rocky Lane, Aston, Birmingham B6 5RQ

Tel: +44 (0) 121 380 2400
Email: inspec@allegion.com