

ARCHITECTURAL HARDWARE

Security and safety solutions



*Securing people and assets with
seamless access wherever they
reside, work and thrive.*









Redefining security

At Allegion, we help keep people safe and secure where they live, work and visit. We specialise in security around the doorway and in adjacent areas. As a single source solutions provider, we offer everything from residential and commercial locks, door closers and exit devices, to access control and workforce productivity systems.

At the core of our \$2.7 billion business is the knowledge and experience of more than 9,000 dedicated employees behind our brands. We help customers navigate their toughest security challenges, and we help builders and property owners differentiate themselves by providing innovative and secure solutions. Our trained experts not only help customers adhere to codes and standards - we help advocate for security standards around the world.

Contents

To assist you in finding the products you need we have divided the catalogue into the following colour coded sections.










	DOOR CONTROLS	11 - 76
	LOCKCASES	77 - 110
	LOCKING CYLINDERS	111 - 140
	PADLOCKS	141 - 146
	EXIT HARDWARE	147 - 192
	DOOR FURNITURE	193 - 246
	WINDOW SECURITY	247 - 266
	ACCESS CONTROL	267 - 306

Allegion by numbers

For over a century, we have kept people safe and secure through the design and manufacture of category leading products and the continued development of world leading brands. The figures speak for themselves and explain why we continue to be a leader in the global safety and security industry.



Our regional and global brands

AXA	Brio	Briton
 CISA	Legge	NORMBAU
	 SCHLAGE	
ADSYSTEMS™	 BRICARD	DEXTER by SCHLAGE
FALCON	 FSH www.fshlocking.com.au	GLYNN-JOHNSON
<small>Cerraduras</small> INAFER <small>Máxima Seguridad</small>	 interflex	
IVES	KRYPTONITE	LCN
<i>Milie</i>	 QMI	Simons & Voss technologies
STEELCRAFT	TGP	 TRELOCK Deine Sicherheit.
VON DUPRIN	 ZERO INTERNATIONAL	

Making the world safer ...



EDUCATION

Ensuring safety in schools is a complex business. We offer high-level security systems to keep staff, pupils and visitors safe in an emergency and protect buildings. Entrances and exits are controlled to prevent unauthorised use, yet still easy to open with access management optimised.



HEALTHCARE

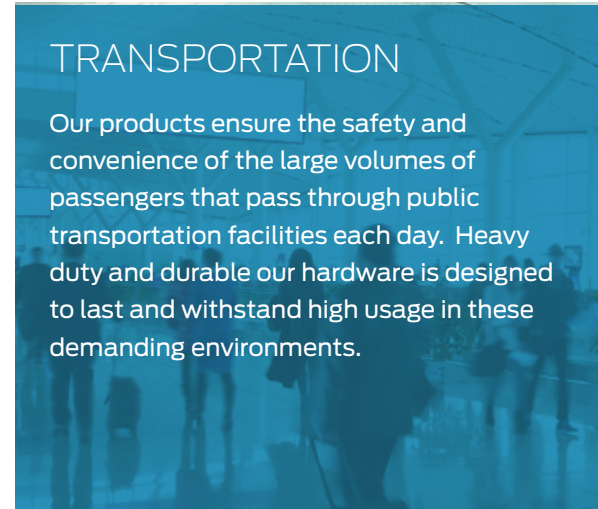
Healthcare facilities are complex structures which often operate 24/7. Ensuring the security and safety of patients, visitors and staff is a major element in the efficient and effective operation of any facility. Managing and controlling access is essential, and this can be achieved with our solutions.



COMMERCIAL

The offices and buildings where we work require special protection, keeping those who work there, and the goods produced in them safe and secure. We develop customised security and access solutions that prevent and hinder forced entry, whilst allowing personalised access management.

... securing the places where people thrive.



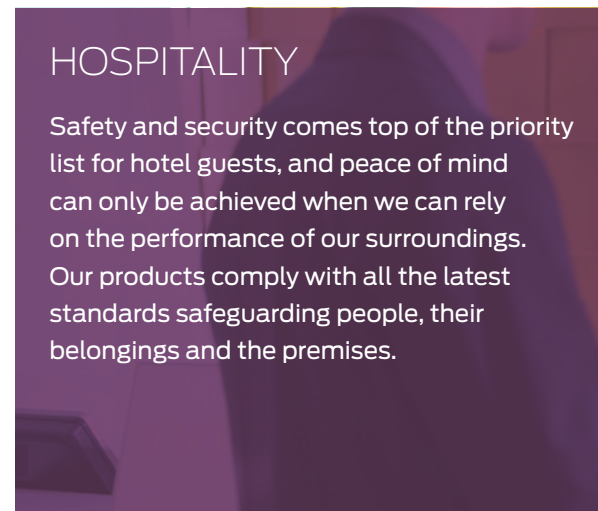
TRANSPORTATION

Our products ensure the safety and convenience of the large volumes of passengers that pass through public transportation facilities each day. Heavy duty and durable our hardware is designed to last and withstand high usage in these demanding environments.



RESIDENTIAL

Protecting your home is your number one priority. From main entrances, to common areas, stairwells and emergency exits, we offer smart solutions to balance the need for access control and freedom of movement.



HOSPITALITY

Safety and security comes top of the priority list for hotel guests, and peace of mind can only be achieved when we can rely on the performance of our surroundings. Our products comply with all the latest standards safeguarding people, their belongings and the premises.



What can we do for you ...?



We know how complex buildings work and how design is influenced by the people who use them. We acknowledge the different functionality and accessibility required, and recognise how door hardware is critical to this process, to ensure we keep people safe and secure. Allegion offers specification writing, substitution requests, code consulting and other services to help you to specify the right door hardware solution for every type of project.

Top on the priority list is creating a building which is safe and secure for its occupants, and stakeholders. Longevity is also key, which is why we have product guarantees of up to 10 years. Through our host of reliable brands, we ensure you'll attain value throughout the operational life of your hardware, enabling you to prioritise performance and longevity.

Allegion has a dedicated team of specialists who conduct site visits to advise on installation and best practice, enabling you to get the very best results with this added technical support. Through this, you can be sure that you are installing a door hardware system that will keep the building and its occupants safe for many years to come.

We recognise that a full range of solutions is needed to match the right level of security for customers' networks and budgets. With a focus on innovation and investment in new product development, you can be sure that you are stocking world leading brands to meet security needs and unique applications that are secure, cost-effective and convenient to use.

We are accustomed to working with all major timber and steel door manufacturers to ensure our products can be integrated into fully compliant and CE marked doorset packages wherever applicable. We offer technical support and new product development to drive custom solutions that integrate into proprietary systems.

We're here to make your life easier ...

At Allegion, we understand the design process and the problems architects and designers face on a daily basis. We know how complex buildings work and how design is influenced by the people who use them. We acknowledge the different functionality and accessibility required, and recognise how door hardware is critical to this process, to ensure we keep people safe and secure.

inspec

REDEFINING DOOR HARDWARE SPECIFICATION



We can save you valuable time offering the following services:

-  Specification writing and door hardware scheduling
-  Consulting on necessary building regulations with pre-installation meetings & post installation inspections
-  Technical application advice backed up by individual product datasheets
-  Procurement liaison and supply chain management
-  Liaison and co-ordination between key stakeholders
-  Post contract and aftersales support

Door control solutions from our most trusted global brands

Setting the industry standard for quality, durability and innovation, Allegion has a door control and closer for any application. From the simplicity of a mechanical non-fire door closer for basic functionality, to microprocessor low energy operators for special applications where doors are required to satisfy Part M of the Building Regulations.

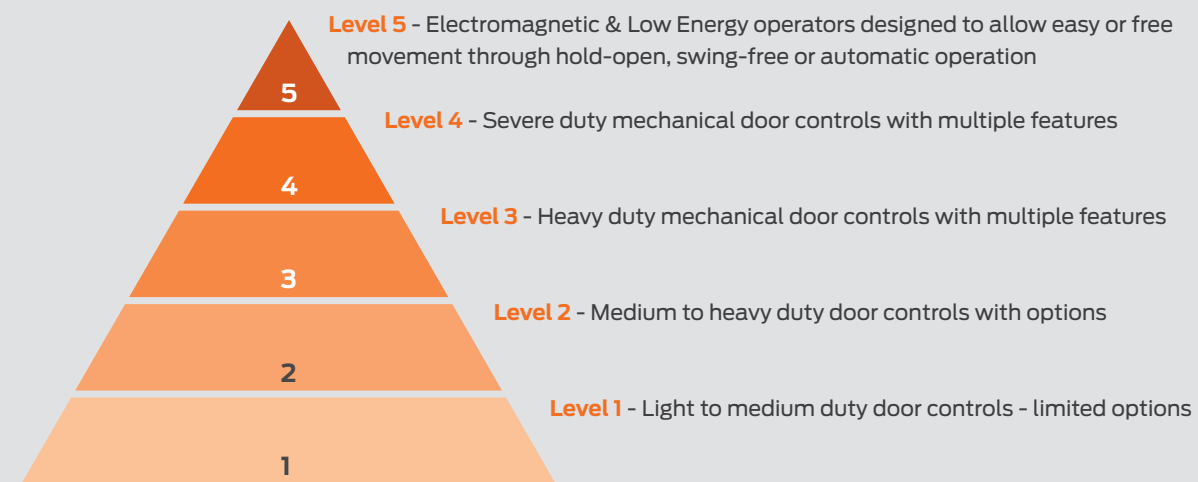
Specifying Allegion door controls

When specifying an Allegion door closer you can be assured that an uncompromising attention to detail has been given to every stage of its design and manufacture. This ensures that its products and systems meet the highest possible quality and conformity certifications and exceed the requirements of all applicable European Standards.

A global leader in every sense of the word, Allegion has an unrivalled track record in satisfying the demands of architects, designers, specifiers and building contractors throughout the world.

Performance levels

Our multi-level approach to door controls ensures there is a solution for all projects, door applications and budgets.



CE Mark explained
 Door closers are an important link in the control of fire and smoke and their usage can help save lives.
 From July 2013 it became a legal requirement for all products which are covered by a harmonised EN standard to be CE marked before they can be placed on the market.
 For door closing devices, EN 1154 and EN 1155 became harmonised standards across Europe and are now the standards required in order to attain CE marking. Validation of the CE mark requires the production of a Declaration of Performance (DoP) by the manufacturer.
 DoPs for all Briton door controls are available on our website at:
www.britondops.co.uk



Performance across the range

Compliance to EN 1154/EN 1155 and CE marking covers the majority of Briton door controls, from our budget range of fixed power closers through to our high efficiency cam action slide arm closers and heavy duty floor springs.

Door size chart - EN 1154

EN Closer Size	Recommended Door Sizes	
	Maximum Door Width	Maximum Door Weight
1	750mm	20kg
2	850mm	40kg
3	950mm	60kg
4	1100mm	80kg
5	1250mm	100kg
6	1400mm	120kg
7	1600mm	160kg

Note:
 For fire door applications, power size 3 is a minimum requirement.



EN 1154 & EN 1155

All forms of "Controlled Door Closing Devices" are covered by a harmonised European Standard, **EN 1154**. It provides details on product types by use, test cycles, door mass, corrosion resistance and product performance requirements using a 6 digit classification code.

EN 1155 specifies the requirements for devices which provide an electrically controlled hold-open or swing-free function on doors used for fire/smoke compartmentation. This includes separate electrically controlled hold-open devices which may be used in conjunction with a standard mechanical door closer.

Each standard prescribes the test methodology for randomly selected production line products. Compliance with the standards, supported by suitable evidence of audit testing of the certified product, and regular factory process control inspections, allows the application of the CE mark.

EN 1154	EN 1155		EN 1154	EN 1155
4 3 / 4	3 3	Category of use	Defines the angle from which the device will close the door in a controlled manner. Grade 3 - 105° Grade 4 - 180°	Only Grade 3 category of use is identified for electrically powered hold-open devices for use by the public and others with little incentive to take care - where there is some chance of misuse of the door
8 8	8 5 / 8	Test cycles	Prescribes a series of test cycles. Only one grade is identified. Grade 8 - 500,000 cycles	Prescribes a series of test cycles. Grade 5 - 50,000 cycles for all electrically powered hold-open devices Grade 8 - 500,000 cycles for electrically controlled hold-open or swing-free closers that contain operating arms
3 1 - 7	3 3 - 7	Door mass/size	Identifies the closer power size as defined by the door width and mass. Adjustable power closers are defined by their upper and lower power sizes. See table on page 13	Hold open power size is suitable for a range of power sizes. Both the max. and min. power sizes are defined. See table on page 13
1 0 / 1	1 1	Suitability for fire/smoke doors	Having successfully completed a fire test to EN 1634. Grade 1 - suitable for use on fire/smoke door assemblies Grade 0 - not suitable for use on fire/smoke door assemblies	Having successfully completed a fire test to EN 1634. Only Grade 1 is identified Grade 1 - suitable for use on fire/smoke door assemblies
3 0 - 4	3 0 - 4	Safety	Ensures the operation and suitability of the closer is hazard free - operates without risk to the user. Only Grade 1 is identified	All electrically powered devices are required to satisfy the requirement of safety in use. Only Grade 1 is identified
		Corrosion resistance	Level of corrosion resistance to EN 1670 Neutral Salt Spray test and operation of the product at extreme temperatures. Five grades are identified. Grade 0 - no identified resistance Grade 1 - mild resistance Grade 2 - moderate resistance Grade 3 - high resistance Grade 4 - very high resistance (240 hrs)	

The Equalities Act - disability legislation

For some building users a self-closing fire door can become a barrier – or at least an obstacle which hampers their movement into and within the building.

Legislation aimed at providing universal accessibility of buildings requires service providers to make "reasonable adjustments to the physical features of their premises to overcome barriers to access".

To meet obligations under the Equalities Act, Approved Document M (ADM) of The Building Regulations and BS 8300 continue to be the yardsticks by which conformity is measured.

ADM and BS 8300 provide guidance in establishing recommended maximum opening forces for door controls to assist less able users.

Opening v Closing Forces

For accessibility, Approved Document M and BS8300 are concerned with overcoming the resistance to opening which a door closer imparts. Both documents stipulate maximum "opening force" whereas for fire safety, EN 1154 is concerned with ensuring the door closes fully in order to maintain the door's fire integrity and is measured as "closing moment" (a combination of the door's mass and width). The two forces are not directly comparable.

Doors which need to be fire resisting and accessible must satisfy both the requirements of the maximum opening force for accessibility and minimum closing moment for fire safety. Non fire resisting doors only need to satisfy the maximum opening force requirements of BS8300.

BS8300 Incorporating Amendment No.1 – 7.3.1 states:

"For disabled people to have independent access through single or double swing doors, the opening force, when measured at the leading edge of the door, should not be more than 30N from 0° (door in the closed position) to 30° open, and not more than 22.5N from 30° to 60° of the opening cycle."

"The ability of a controlled door closing device to close effectively while keeping within the opening force limits depends on its efficiency and the resistances from edge seals, hinge friction, latch resistance and differential air pressure. The opening force should be checked using a plunger type force measuring instrument."

Fire Safety & Approved Document B

Fire Safety Order

The Regulatory Reform (Fire Safety) Order covers general fire safety in England and Wales.

Proof of compliance rests with the building owner or other reasonable person and policing of this is done through spot checks by the Fire Service. Failure to comply can result in a fine or prison sentence and would invalidate any insurance cover.

Approved Document B

In England and Wales, Approved Document B of Building Regulations requires third party fire testing to ensure that door controls and other life safety products are fit for purpose.

All Briton door controls which are used for fire and smoke door assemblies are third party fire tested and approved by Certifire.

Certifire approval is a means of providing reassurance to specifiers and authorities that all aspects of the product's testing, assessment and manufacturing have been checked and verified to ensure:

- They have been included in successful fire door tests
- They have been tested and comply with the relevant EN or BS standards
- They are manufactured in quality assured facilities under ISO 9000 certification

Certification documentation for all Briton door controls is readily available on request.



Accessibility guidance

Allegion is able to offer guidance and product solutions to cover the following areas:

Low energy door controls

Electromagnetic door controls

High efficiency mechanical door controls to meet the conflicting requirements of BS 8300 and fire safety requirements of EN 1154

Door closers which are capable of meeting these demands and disability legislation are identified by this symbol.



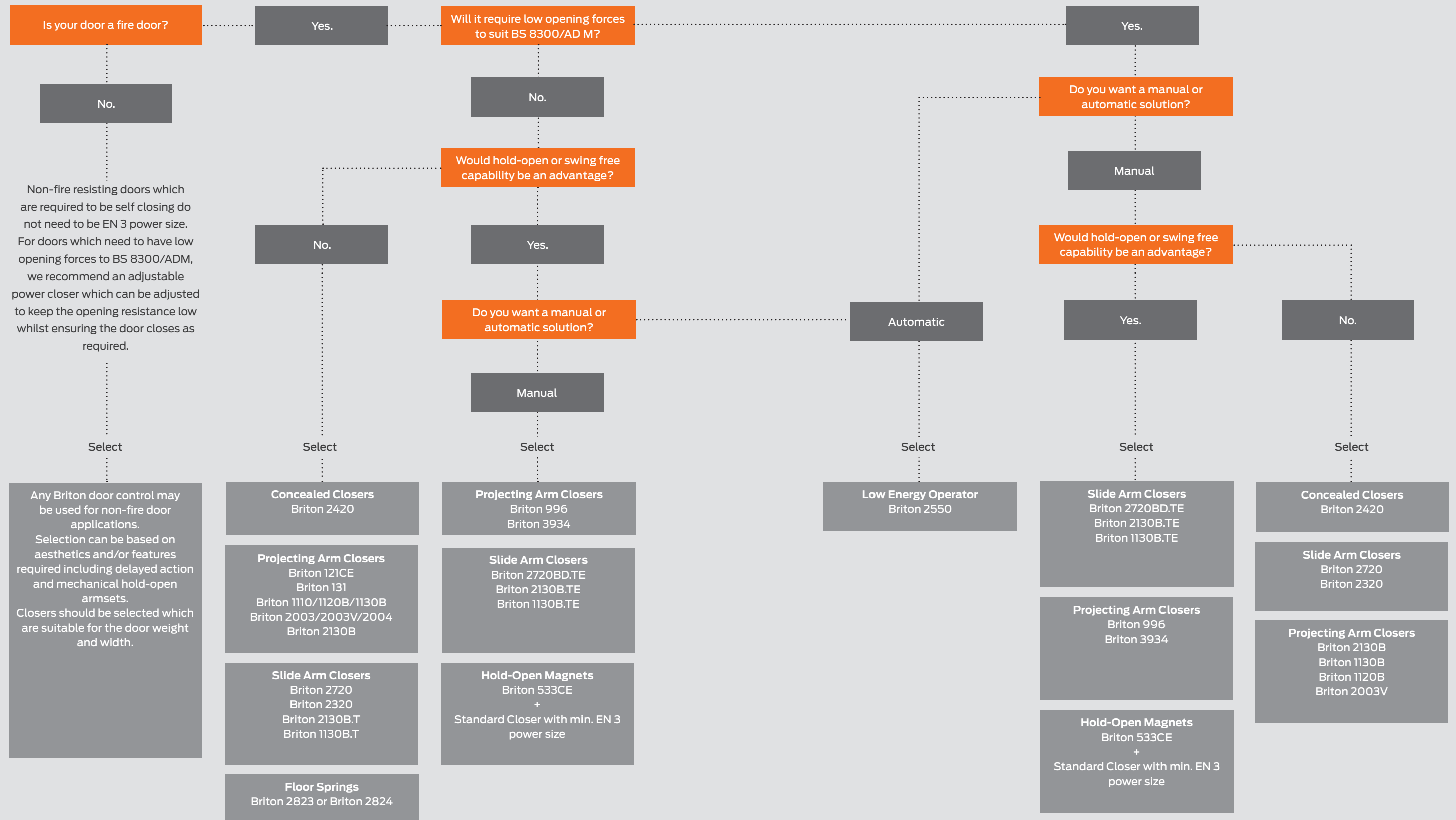
Recommendation

High efficiency Briton closers which are capable of meeting the required levels of opening and closing forces are marked with the "Wheelchair Symbol" but accurate installation, hinge friction, door seals and variable air pressure can all have a bearing on the opening resistance of the doorset.

For doors which must also meet the stringent closing force requirements for fire door applications, it may be more appropriate to use an electromagnetic hold-open or swing-free closer or a powered opening solution.



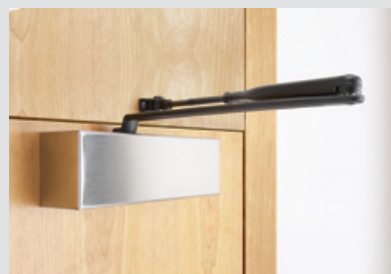
Door Controls - Selection Guide



Fixing Applications Guide

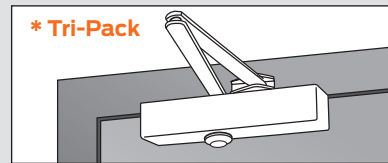
Door control options

There are fundamentally 2 types of door control, door closers which are mounted on the door or frame and floor springs which are concealed within the floor.



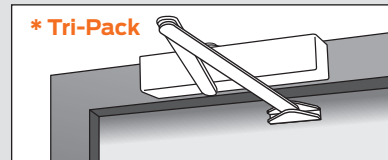
Regular fixing *

Closers are door mounted on the pull or opening face of the door.



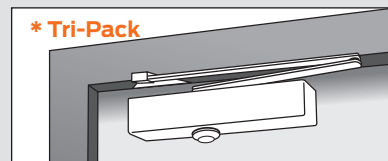
Transom fixing *

Closers are transom mounted on the push or closing face of the door.



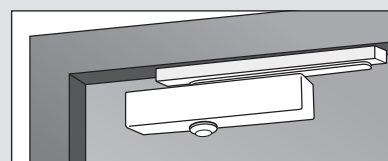
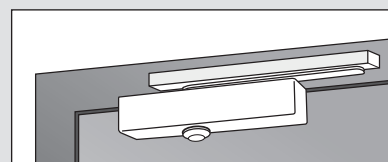
Parallel fixing *

Closers are door mounted on the push or closing face of the door.



Slide track fixing

Closers with slide arm and track can also be door or transom mounted on the pull or push side of the door. Tracks can be mounted on the face or underside of the transom when mounted on the push side of the door.



Concealed closer mounting

Closers for concealed mounting offer the ultimate aesthetic option. The closer is discreetly concealed within the door leaf (or the head frame) and a single arm operates within a slide track mounted in the underside of the head frame (or top of the door leaf).

Unlike surface mounted closers, the concealed option usually has limitations on its fire performance and requires a certain minimum door thickness.

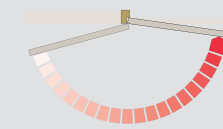
* Tri-Pack

Most Allegion door closers are "Tri-packed" meaning that they contain the necessary arm, bracket and fixings to enable them to be fitted in any of these applications.

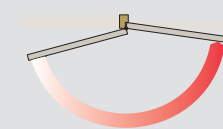
Refer to certification or DOP to ensure the application is approved for fire doors.

Closer Adjustments

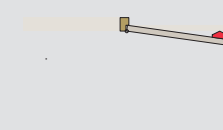
Adjustable closing power
PowerAdjust mechanism provides a visual guide on the EN power level at which the closer has been adjusted.



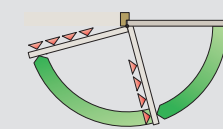
Adjustable closing speed
Adjustable from 180° opening through to the final 15°.



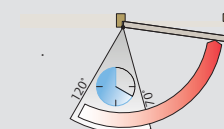
Adjustable latch action
The speed of closing in the last 15° can be adjusted to overcome seals and latches.



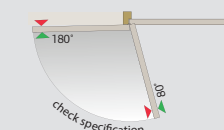
Adjustable backcheck
To prevent damage to the door, hardware and adjacent walls caused by the door being flung open or caught by a gust of wind. Angle at which the backcheck is activated is usually adjustable.



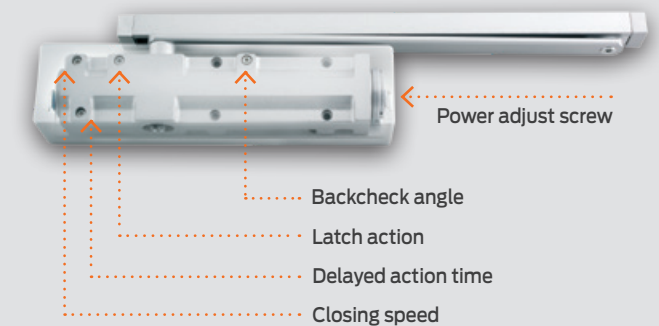
Adjustable delayed action
The closer can be set to close more slowly to give people extra time to pass through the doorway. Adjustable timing between 70° and 120°.



Adjustable hold-open
Mechanical and electromagnetic hold-open variants are available to hold the door in the open position.



Adjustment screws will vary from model to model (2700 shown)



Mechanical hold-open unit

Mechanical hold-open is achieved by substituting the standard armset with a hold-open armset (or a component concealed within the slide track). It enables doors to be securely held in the open position at a pre-set angle (adjustable on installation depending on model and the mounting application).

The hold-open facility can be easily overridden and the force required to release the hold-open action can be adjusted to suit the weight of door.

Please note, mechanical hold-open is not permitted on fire door applications.



Electromagnetic hold-open or swing-free

Electromagnetic hold-open or swing-free closers allow a door to be held open (or free to swing) in normal use but close under spring power in the event of a fire or power failure. This can be achieved using a closer which has an electromagnetic function integrated into the closer mechanism, or by using a separate electromagnetic holder in conjunction with a standard door closer. The electromagnet temporarily disables the spring mechanism which is automatically re-connected in the event of an alarm or power failure.

Please note, electromagnetic hold-open or swing-free is permitted on fire door applications when connected into the building fire alarm or smoke detection system.

Door Controls - Overview & Selector



Performance & Features	LEVEL 5 Electromagnetic & Low Energy												LEVEL 4 Floor Springs			LEVEL 4 Overhead Closers					LEVEL 3 - 2 Overhead Closers						LEVEL 1 Closers					
	Briton 2720BD.TE	Briton 2721BD.TE	Briton 2130B.TE	Briton 1130B.TE	Briton 9963/01	Briton 9963/66	Briton 9964/01	Briton 9964/66	Briton 9965/01	Briton 9965/66	Briton 3934	Briton 2550	Briton 2822	Briton 2823	Briton 2824	Briton 2720BD.T	Briton 2721BD.T	Briton 2130B	Briton 2130BD ³	Briton 2130B.T	Briton 2320.T ⁴	Briton 2420B.T	Briton 2003V	Briton 2004	Briton 2003	Briton 1130B.T	Briton 1130B	Briton 1120B	Briton 1110	Briton 131	Briton 121CE	
Category of Use	3	3	3	3	3	3	3	3	3	3	3	3	-	3	3	4	4	4	4	4	4	4	3	4	4	4	4	4	4	3	3	4
No. of Test Cycles	8	8	8	8	8	8	8	8	8	8	8	8	-	8	8	8	8	8	8	8	8	8	8	8	8	8	8	8	8	8	8	8
Door Mass/Size	3-5	3-5	3-4	3-4	3	3	4	4	5	5	3-4		-	3	4	2-5	2-5	2-6	2-6	2-4	2-4	2-4	1-4	4	3	2-4	2-6	2-4	2-4	2-4	3	
Fire Behaviour	1	1	1	1	1	1	1	1	1	1	1		-	1	1	1	1	1	1	1	1	1	1	1	1	1	1	1	1	1	1	
Safety	1	1	1	1	1	1	1	1	1	1	1		-	1	1	1	1	1	1	1	1	1	1	1	1	1	1	1	1	1	1	
Corrosion Resistance	3	3	3	3	3	3	3	3	3	3	3		-	3	3	3	3	3	3	3	3	3	3	3	3	3	3	3	3	3	3	
Regular Fixing (Power size) ¹	#3-5	#3-5	#3-4	#3-4	#3		#4		#5		#3-4	#2-5	#2	#3	#4	#2-5	#2-5	#2-6	#2-6	#2-4	#2-4	#2-4	#1-4	#4	#3	#2-4	#2-6	#2-4	#2-4	#2-4	#3	
Transom Fixing (Power size) ¹					#3		#4		#5		#3-4					#2-4	#2-5	#2-6	#2-6		#2-4	#2-4	#1-4	#4	#3	#2-4		#2-4	#2-4	#2-4	#3	
Parallel Fixing (Power size) ¹						#3		#4		#5	#3						#2-5	#1-5				#1-4			#2-4	#2-5	#3-4	#3	#3	#3	#3	
Slide Track Mounted (Pull side)	■	■	■	■								■				■	■				■					■						
Slide Track Mounted (Push side)	■	■	■	■								■				■	■				■					■						
Concealed Door/Transom Mount																						■										
High efficiency Cam Action technology	■	■														■	■				■	■										
Timber fire doors up to	2 hr	2 hr	2 hr	2 hr	2 hr	2 hr	2 hr	2 hr	2 hr	2 hr	2 hr		1 hr	1 hr		2 hr	2 hr	2 hr	2 hr		2 hr	1 hr	2 hr	2 hr	2 hr	2 hr	2 hr	2 hr	2 hr	2 hr	2 hr	
Steel fire doors up to	1 hr	1 hr	4hr ²													1 hr	1 hr	4 hr	4 hr				4 hr	4 hr	4 hr	4 hr	4 hr	4 hr	4 hr	4 hr	4 hr	
Certifire Approval (Cert. No.)	738	738	111	388	109	109	109	109	109	109	5598					738	738	111	111		5291	5292	111	111	111	388	388	388	388	5512	390	
EPD (Environmental Product Declaration)	■	■	■	■									■	■	■	■	■	■	■	■	■	■	■	■	■	■	■	■	■	■	■	■
Adjustable Power	■	■	■	■								■				■	■	■	■	■	■	■	■	■	■	■	■	■	■	■	■	■
Adjustable Closing Speed	■	■	■	■	■	■	■	■	■	■	■	■	■	■	■	■	■	■	■	■	■	■	■	■	■	■	■	■	■	■	■	■
Backcheck Facility	■	■	■	■												■	■	■	■	■	■	CS	■			■	■	■				
Delayed Action	■	■														■	■		■													
Mechanical Hold-Open													□	□	□	□	□	□	□		□	□	□	□	□		□					□
Electro-mechanical Hold-Open	■	■	■	■	■	■	■	■	■	■	■	■																				
Electro-mechanical Swing Free					■	■	■	■	■	■	■																					
Power assisted opening/spring closing												■																				

■ Feature as standard

□ Available as an option

CS - Cushion Stop facility

¹ figures represent the Certifire Approved applications and the power sizes this covers.

² 2130 with classic cover is certified only for 1 hr on steel doors

³ 2130BD is NOT CE marked and therefore should not be used on fire doors

⁴ applies to 2320.T and 2321.T

IMPORTANT NOTE: Mechanical hold-open armsets must not be used on fire doors.

Closer finishes explained

For overhead closers which comprise a body and armset, the finish of the complete closer is specified either with black armset (including regular or parallel fixing bracket) or with matching armset.

For example, a closer in a sprayed silver finish is specified as:

SE - with black armset

SES - with matching silver armset

NB: Black armsets only available on Briton 996 closers.

When ordering simply add the finish code to the end of the product code

e.g. 1120B.SES

Please note: a more detailed description of Briton finish options can be found on page 74 of this brochure.

2700 Series - Cam Action Door Closers (Level 5)

The Briton 2700 Series is a precision manufactured cam-action, slide channel door closer, in a compact, surface fixed unit. It provides exceptional ease of use by reducing the resistance encountered when opening the door. The Briton 2700 Series bridges the gap between the requirements for fire and smoke control and ease of operation required for accessibility.



2720 with A line cover and with softline cover



Adjustments: **1** - Closing power; **2** - Closing speed; **3** - Latch action; **4** - Backcheck; **5** - Delayed action (120° -70°)

Easy opening, reliable closing

Principal Features & Benefits

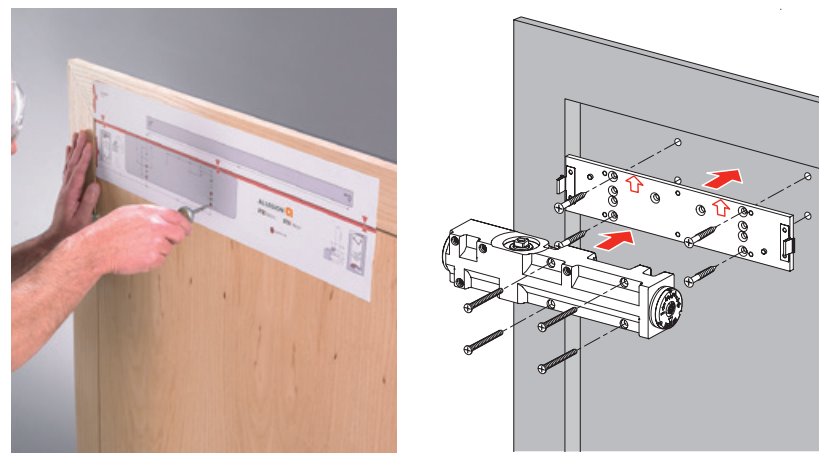
- A** Cast iron body with a naturally high graphite content is self lubricating, providing high levels of durability and long life performance.
- B** High performance cam action technology is extremely efficient, providing reliable closing but easy to open.
- C** Full complement bearings provide increased bearing load for efficient operation and improved reliability.
- D** **FAST** PowerAdjust dial feature indicates the current power setting.
- E** Silicon chrome alloy steel springs for superior strength and reliability.
- F** High quality hydraulic fluid with built-in temperature compensation ensures reliable performance without the need for seasonal adjustment.
- G** Unique self-adhesive 'Accufit' installation template and mounting plate with dowel fixings to position the closer body ensures a quick, simple and accurate installation.
- H** A line and Softline cover options have a 'push and click' fit for quick installation
- J** Co-ordinated track design with concealed fixings

Also available with electromagnetic hold-open in the slide track.

Briton 2700 Series door closers are packed complete, reducing the possibility of lost or missing parts.

Installation made quick and easy

The efficiency and durability of an overhead door control is greatly improved by accurate installation. The Briton 2700 Series has a number of features aimed at simplifying the installation process, including self adhesive Accufit template and mounting bracket. With the addition of the 'FAST' power adjustment dial and snap-on covers the process is quick and easy too.



Testing & Certification

CE marked to EN1154 (AD0264)

CE marked to EN1155 for electromagnetic variants

Fire tested to EN1634 on timber doors to achieve a 2 hour fire rating, and 1 hour for metal doors.

Certifire Approved CF738

Full Declaration of Performance available from our website at:

www.britondops.co.uk

What's in the box?

- Closer Body
- Body Cover
- Armset and Track
- Fixing Pack
- Accufit template and backplate
- Installation Instructions



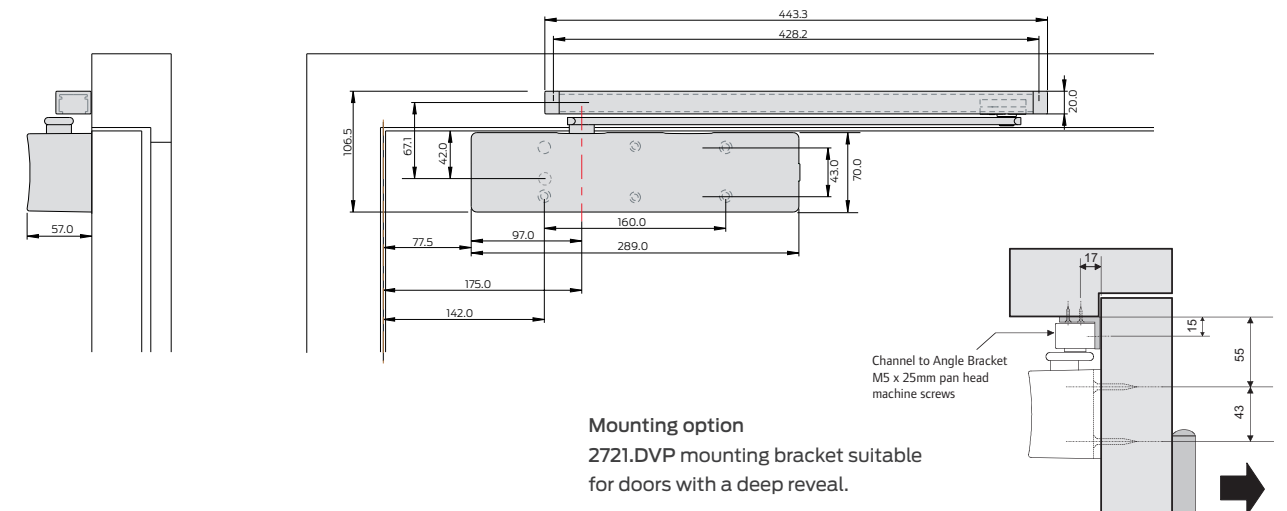
2700 Series - Quick Selector

Product features	Product references			
	2720BD.T	2721BD.T	2720BD.TE	2721BD.TE
Pull side door / Push side transom mounting	■		door mount only	
Push side door / Pull side transom mounting		■	door mount only	
Variable closing power EN size	2 - 5*	2 - 5	3 - 5	3 - 5
FAST power adjust dial	■	■	■	■
Easy Fit template & mounting plate	■	■	■	■
Maximum angle of opening (pull side)	180°	180°	120°	120°
Separate closing speed & latch action adjustment	■	■	■	■
Adjustable backcheck	■	■	■	■
Adjustable delayed action (between 70° -120°)	■	■	■	■
In-built temperature compensation	■	■	■	■
Mechanical hold-open facility (80° -120°)	□	□		
Electromagnetic hold-open facility (80° -120°)			■	■
Matching slide channel, arm & cover finish	■	■	■	■
Cover options	Slimline/Softline	Slimline/Softline	Slimline/Softline	Slimline/Softline
Dimensions (Body L x D x H mm)	289 x 57 x 70mm	289 x 57 x 70mm	289 x 57 x 70mm	289 x 57 x 70mm
Channel/slide arm	443 x 20mm	443 x 20mm	575 x 26mm	575 x 26mm
Finishes available (see page 74)	SSS; PSS; PBS; SES (for both cover options and matching track)			
Warranty period	10yrs	10yrs	10yrs mechanical / 2yrs electrical	
CE Classification	4 8 2-5 1 1 3		3 8 3-5 1 1 3	

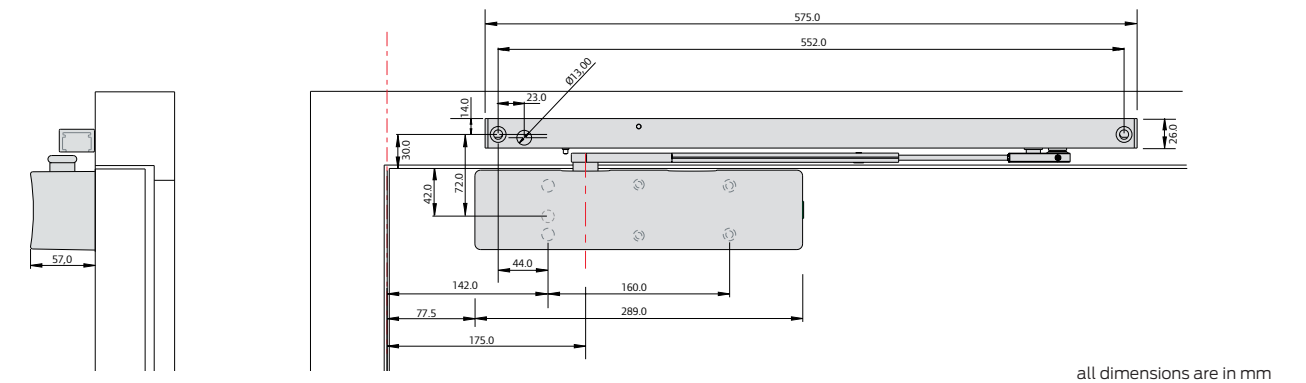
■ Feature as standard □ Available as an option

* Certifire Approval covers EN 2 - 5 for closers door mounted/pull side and EN 2- 4 for closers transom mounted/push side.

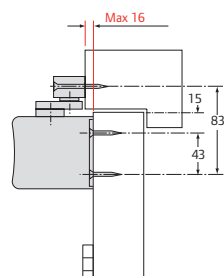
Standard closers with/without mechanical hold open (door mounted - pull side shown).



Closers with electromagnetic hold open track (door mounted - pull side shown).

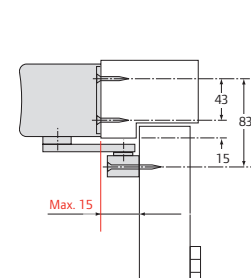


Briton 2720BD.T - door mounted pull side



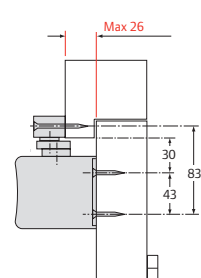
Max. opening angle - 180°

Briton 2720BD.T - transom mounted push side



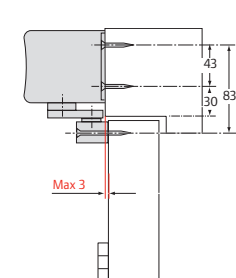
Max. opening angle - 120°

Briton 2721BD.T - door mounted push side



Max. opening angle - 120°

Briton 2721BD.T - transom mounted pull side



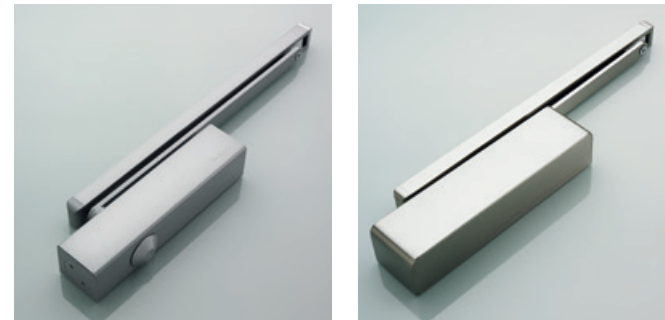
Max. opening angle - 180°



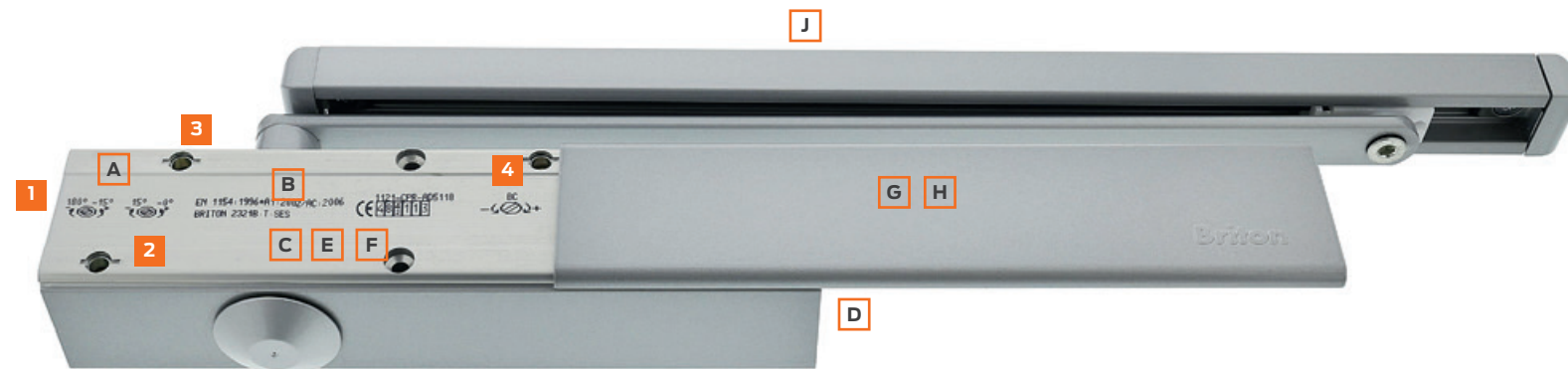
Product Ref.	Description	Mounting Position	Finishes
2720BD.T.A	Closer with Slimline cover - adjustable power EN size 2 - 5	Door mount pull side, transom mount push side	SES; SSS; PSS; PBS
2721BD.T.A	Closer with Slimline cover - adjustable power EN size 2 - 5	Door mount push side, transom mount pull side	SES; SSS; PSS; PBS
2720BD.T.S	Closer with Softline cover - adjustable power EN size 2 - 5	Door mount pull side, transom mount push side	SES; SSS
2721BD.T.S	Closer with Softline cover - adjustable power EN size 2 - 5	Door mount push side, transom mount pull side	SES; SSS
2720BD.TE.A	Closer with Slimline cover - adjustable power EN size 3 - 5 and Electromagnetic hold-open	Door mount pull side	SES; SSS; PSS; PBS
2721BD.TE.A	Closer with Slimline cover - adjustable power EN size 3 - 5 and Electromagnetic hold-open	Door mount push side	SES; SSS; PSS; PBS

2300 Series - Cam Action Door Closers (Level 5)

The Briton 2300 Series is offered as a simplified version of the Briton 2700 providing the same ease of use by reducing the resistance encountered when initialising the opening of the door. The 2300 Series is available with either a slide in trimplate or with a curved 'Softline' all-over cover.



2320 with slide in trimplate and with softline cover



Adjustments: **1** - Closing power; **2** - Closing speed; **3** - Latch action; **4** - Backcheck

Compact, modern slimline design

Principal Features & Benefits

- A Briton 2300 Series has an extruded aluminium body.
- B High performance cam action technology is extremely efficient, providing reliable closing but easy to open
- C Full complement bearings provide increased bearing load for efficient operation and improved reliability.
- D Power adjustment allows installers to adjust the spring power to suit the size and location of the door.
- E Silicon chrome alloy steel springs for superior strength and reliability.
- F High quality hydraulic fluid with built-in temperature compensation ensures reliable performance without the need for seasonal adjustment.
- G A radiused slide in trimplate and spindle cap is available to conceal the main door closer fixings and adjustment screws.
- H An alternative 'all-over' cover is also available, secured by simple unobtrusive spring clips and providing a smooth, contemporary look.
- J Co-ordinated track design with concealed fixings
- K Unique self-adhesive 'Accufit' template, together with easy-to-read instructions assist quick and easy installation.

Briton 2300 Series door closers are packed complete, reducing the possibility of lost or missing parts.

Installation made quick and easy

The efficiency and durability of an overhead door control is greatly improved by accurate installation. The Briton 2300 Series is supplied with the Accufit self adhesive template which not only speeds up the installation process but provides a means of accurately aligning the closer and track on the door and frame.



Briton 2320 with Softline cover in SSS finish, shown in "Push Side Transom Mount" option.

Testing & Certification

CE marked to EN1154 (AD5118)
 Fire tested to EN1634 on timber doors to achieve a 2 hour fire rating.
 Certifire Approved CF5291

Full Declaration of Performance available from our website at:
www.britondops.co.uk



What's in the box?

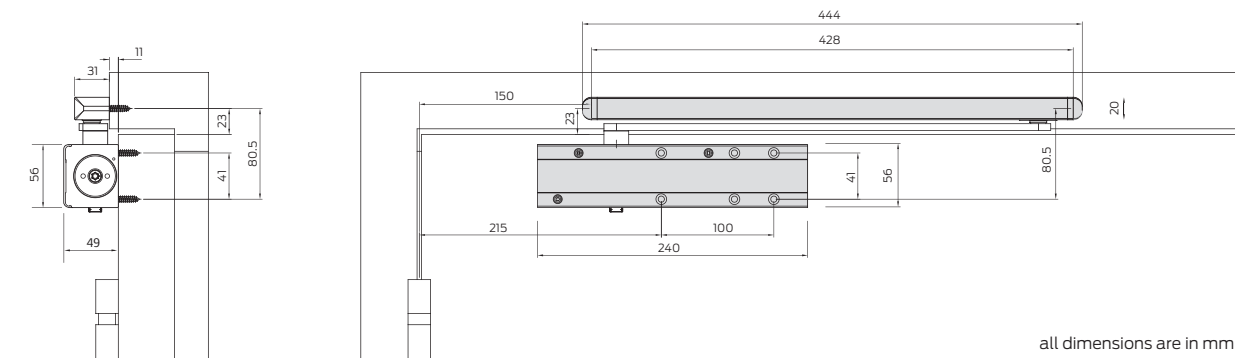
- Closer Body
- Body Cover
- Armset and Track
- Fixing Pack
- Accufit template and backplate
- Installation Instructions

2300 Series - Quick Selector

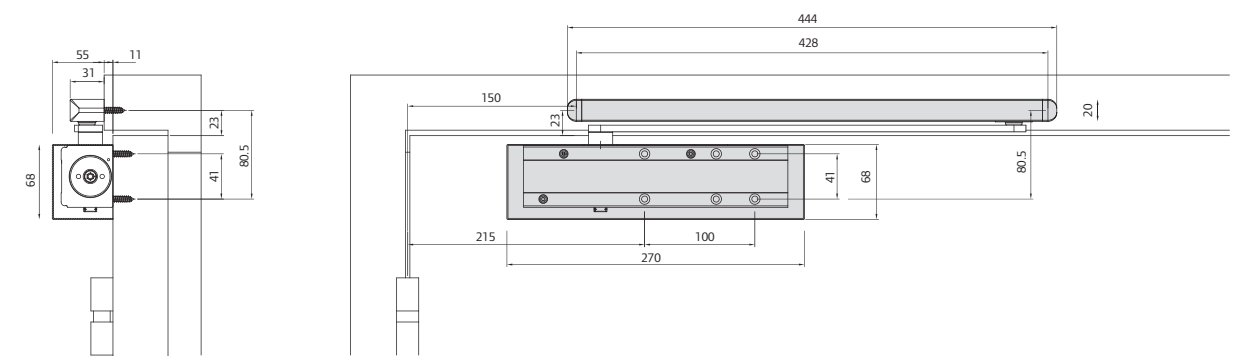
Product features		Product references	
EN Closer size	max. door size [width - weight]	2320B.T	2321B.T
1	750mm - 20kg		
2	850mm - 40kg	■	■
3	950mm - 60kg	■	■
4	1100mm - 80kg	■	■
5	1250mm - 100kg		
6	1400mm - 120kg		
Pull side door / Push side transom mounting		■	
Push side door / Pull side transom mounting			■
Variable closing power EN size		2 - 4	2 - 4
Accufit template and Accufit mounting plate		■	■
Maximum angle of opening*		180°	180°
Separate closing speed & latch action adjustment		■	■
Adjustable backcheck		■	■
In-built temperature compensation		■	■
Mechanical hold-open		□	□
Matching slide channel, arm & cover finish		■	■
All over metal cover		□	□
Dimensions (with trimplate L x D x H mm)		240 x 56 x 49	240 x 56 x 49
Dimensions (with cover L x D x H mm)		270 x 68 x 63	270 x 68 x 63
Finishes available		SSS; PSS; PBS; SES	
Warranty period		10yrs	10yrs
CE Classification		4 8 2-4 1 1 3	

- Standard
 - Optional
 - * When door mounted.
- Transom mounted closers are restricted to 120° opening.

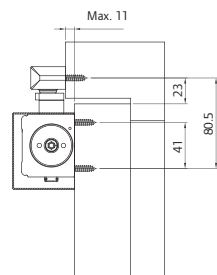
Closers with slide in trimplate



Closers with all over cover

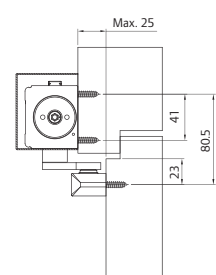


Briton 2320B.T - door mounted pull side



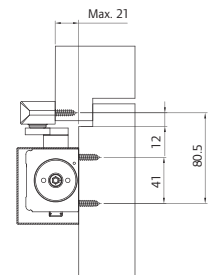
Max. opening angle - 180°

Briton 2320B.T - transom mounted push side



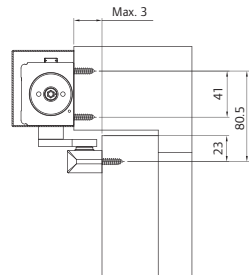
Max. opening angle - 120°

Briton 2321B.T - door mounted push side



Max. opening angle - 120°

Briton 2321B.T - transom mounted pull side



Max. opening angle - 180°

Product Ref:	Description	Mounting Position	Finishes
2320B.T	Closer with trimplate - adjustable power EN size 2 - 4	Door mount pull side, transom mount push side	SES
2321B.T	Closer with trimplate - adjustable power EN size 2 - 4	Door mount push side, transom mount pull side	SES
2320B.T.S	Closer with Softline cover - adjustable power EN size 2 - 4	Door mount pull side, transom mount push side	SES; SSS; PSS
2321B.T.S	Closer with Softline cover - adjustable power EN size 2 - 4	Door mount push side, transom mount pull side	PSS

2300 & 2700 Series - Accessories

Double door co-ordinator

Mounted in conjunction with cam action door closers, 2320 or 2720. The door co-ordinator controls the closing sequence of rebated double doors.

The unit is suitable for double doors with a combined leaf width of 1350mm to 2500mm (hinge centre to hinge centre).

Features & Functions

- For use on door mounted pull side applications only
- Suitable for left and right hand doors
- Suitable for closers with EN power sizes 3 - 5
- Allows full 180° opening angle
- Site adjustable
- Cover caps conceal joints of the co-ordinator track
- Available in SE and SS finishes
- Supplied complete with carry bar

Briton 6100999
Surface mounted double door co-ordinator
available in SE or SS finish



NOTE: Carry bar must be fitted to ensure the correct closing sequence and to maintain certification

Additional features

Cushion stop

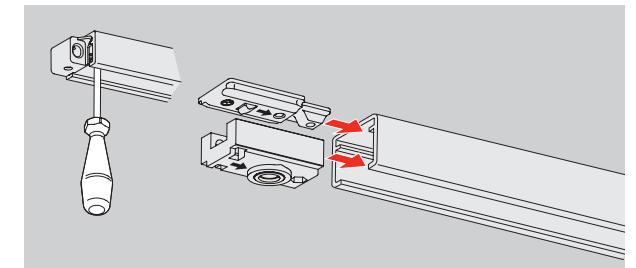
Optional cushion stop (ref: 2327.CS) helps prevent doors from coming into contact with adjacent walls. It is installed within the slide track (note: this is not a backcheck function).



Mechanical hold-open

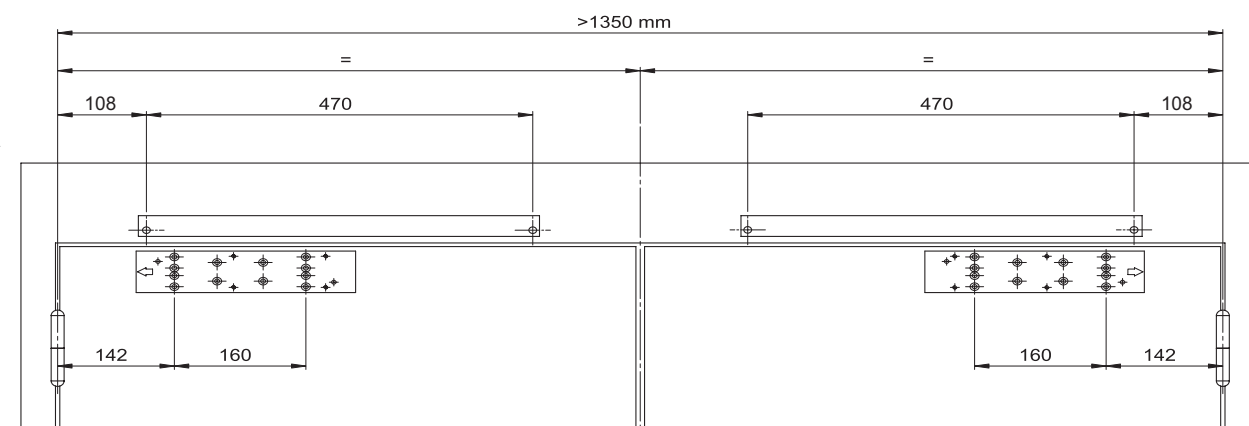
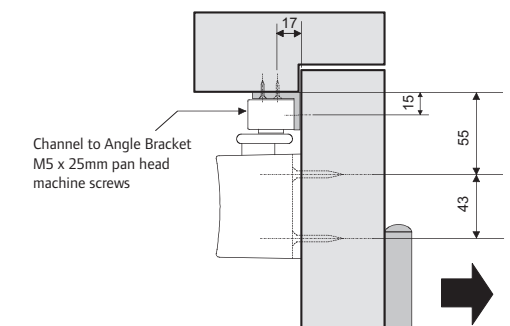
Optional mechanical hold-open unit can be retrofitted into the slide track in place of the standard pivot block. Hold-open angle can be adjusted from 80° to 120° and allows the door to be manually released from the hold-open position. The force required to release the hold-open action can be adjusted to suit the door weight.

Mechanical hold-open must not be used on fire and smoke doors.



Angle bracket

An optional mounting bracket 2721.DVP can be used to attach the slide track to the underside of the transom on doors with deep reveals.



Certification

CE marked to EN 1158 (AF5003)

Fire tested to EN 1634 for use on timber fire doors up to 2 hour rating

Full Declaration of Performance available from our website at:

www.britondops.co.uk



Accessories and parts for 2700 Series

Product Ref:	Accessories & Parts
2720.BD.T.M	Door closer mechanism for Briton 2720
2720.CPA	A line Cover pack
2720.ECP	Track end caps & bracket pack
2720.FP	Fixing pack
2720.HP	Hold-open conversion pack
2720.NS	Nylon track slider
2720.T.AP	Track arm pack
2721.DVP	Track mounting bracket for frames with deep reveals
6100999	Double door co-ordinator 1350-2500 x 32.5 x 32mm
2327.CS	Cushion stop mounted in track

Accessories and parts for 2300 Series

Product Ref:	Accessories & Parts
2300.AP	Arm pack (available in SE; SS; PS finishes)
2300.CPS	Softline cover pack (available in SE; SS; PS finishes)
2300.F.PLT	Fixing plate (available in black, white or SE finishes)
2300.FPCT	Fixing pack - Closer and track arm
2300.FPT	Fixing pack - Track arm only
2320.HP	Hold-open conversion pack
2320.NS	Nylon track slider
2320.RI	Rubber inserts
1502097.SE	6mm mounting fixing plate for extra body projection
6100999	Double door co-ordinator 1350-2500 x 32.5 x 32mm
2327.CS	Cushion stop mounted in track

2400 Series – Cam Action Door Closers (Level 5)

The Briton 2400 Series is a precision manufactured cam-action, slide channel door closer, in a compact concealed unit. With the closer body mounted within the top of the door and the slide track within the head frame, the Briton 2400 Series offers high resistance to abuse and offers a highly aesthetic solution being fully concealed when the door is closed. Suitable for doors 44mm thick and above.

Providing exceptional ease of use by reducing the resistance encountered when opening the door, the Briton 2400 Series bridges the gap between the requirements for fire and smoke control and ease of operation required for accessibility.



Adjustments: **1** - Closing power; **2** - Closing speed; **3** - Latch action; **4** - Backcheck

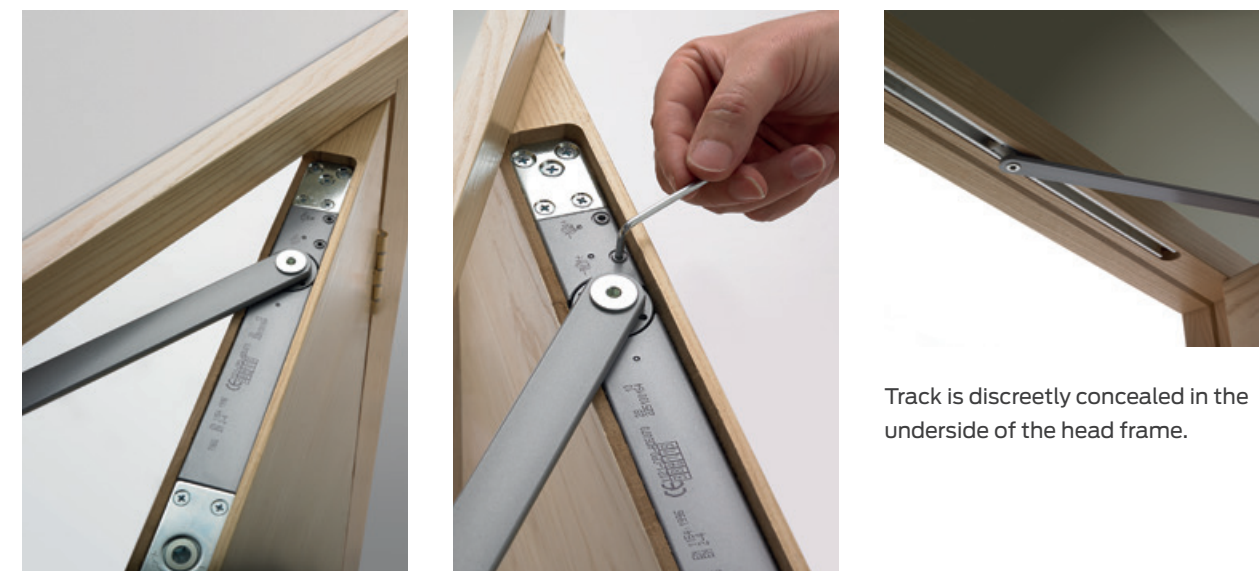
Highly efficient, compact and concealed

Principal Features & Benefits

- A** Compact extruded aluminium body which requires minimal removal of material from the door and frame.
- B** High performance cam action technology is extremely efficient, providing reliable closing but easy to open
- C** Needle roller bearings provide increased bearing load for efficient operation and improved reliability.
- D** Power adjustment allows installers to adjust the spring power to suit the size and location of the door
- E** Silicon chrome alloy steel springs for superior strength and reliability.
- F** High quality hydraulic fluid with built-in temperature compensation ensures reliable performance without the need for seasonal adjustment.
- G** Aluminium slide track 23mm wide with nylon runner
- H** Powder coated steel track arm
- J** Optional cushion stop helps to prevent doors from opening beyond the limit of the door closer - please note, this is not a backcheck facility

Factory preparation is recommended to ensure the minimum amount of door and frame material is removed and to ensure an accurate installation.

Briton 2400 Series door closers are packed complete, reducing the possibility of lost or missing parts.



Track is discreetly concealed in the underside of the head frame.

Testing & Certification

CE marked to EN1154 (AD5114)

Fire tested to EN1634 on timber doors to achieve up to 90 minute fire rating when used in conjunction with the intumescent pack 2420.IP

FD30 - Min. door thickness 44mm

FD60 - Min. door thickness 54mm

FD90 - Min. door thickness 58mm

Full Declaration of Performance available from our website at:

www.britondops.co.uk

What's in the box?

- Closer Body
- Armset and Track
- Fixing Pack
- Installation Instructions



2400 Series - Cam Action Door Closers

Product features		Product references
EN Closer size	max. door size [width - weight]	2420T
1	750mm - 20kg	
2	850mm - 40kg	■
3	950mm - 60kg	■
4	1100mm - 80kg	■
5	1250mm - 100kg	
6	1400mm - 120kg	
CE marked and EN 1154 compliant		■
Variable closing power EN size		2 - 4
Min. door thickness for FD60 doors		54mm
Max. angle of opening		120°
Separate closing speed & latch action adjustment		■
Adjustable backcheck		
In-built temperature compensation		■
Cushion stop		□
Hold open facility		□
Arm & track finish		Silver, SS or PS
Dimensions (L x D x H mm)		242 x 42 x 32
Channel/slide arm		440 x 17
Finishes (arm)		SS; PS; SE
Warranty period		10yrs
CE Classification		3 8 2-4 1 1 3

■ Feature as standard □ Available as an option

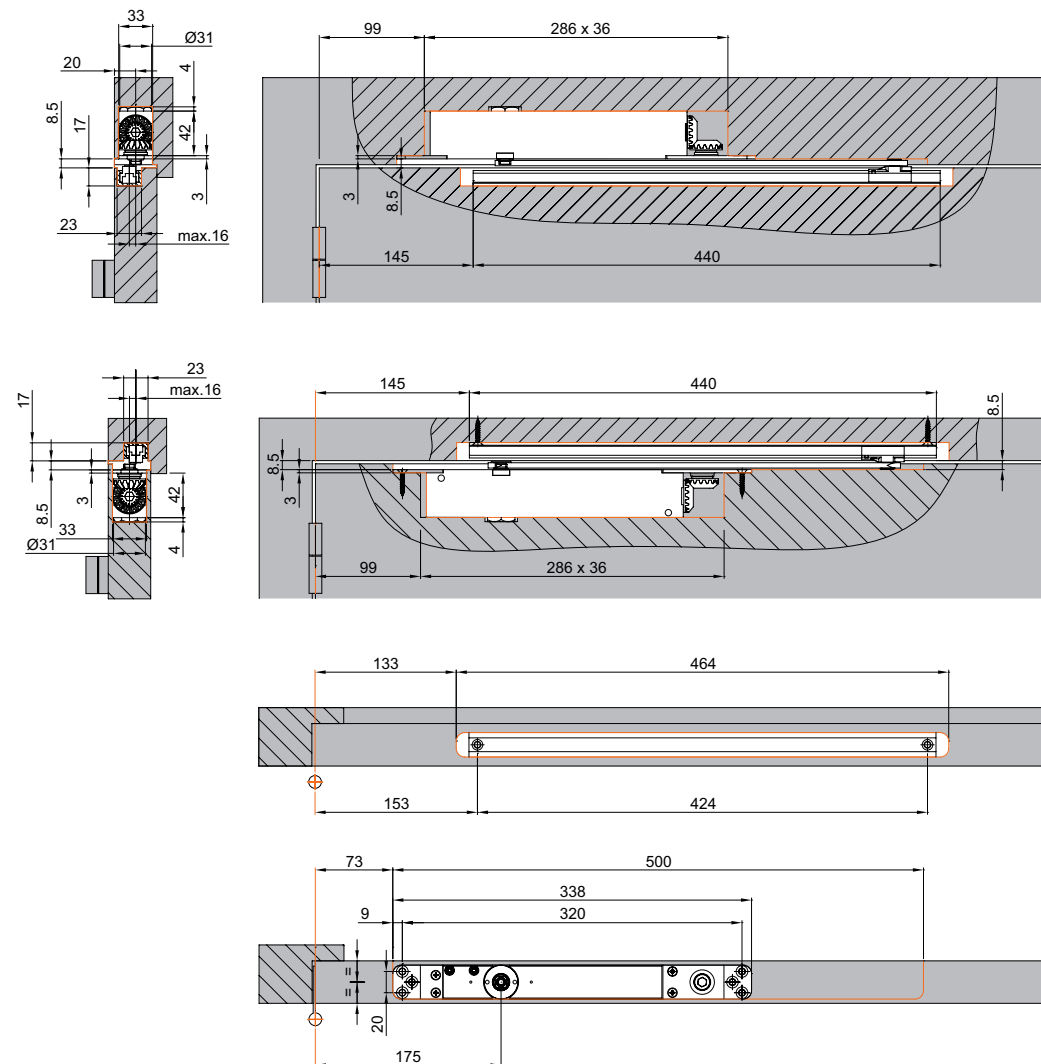
Door Mounted

Closer body mounted in the top of the door leaf and the slide track in the underside of the head frame.



Transom Mounted

Closer body mounted in the underside of the transom and the slide track in the top of the door.



all dimensions are in mm

Intumescent gasket set (2420.IP)

A significant amount of fire resisting doorset material is removed when concealed closers are mortised into the door leaf. The intumescent gasket set will provide the additional performance that is required to protect the door from integrity failure during fire conditions.

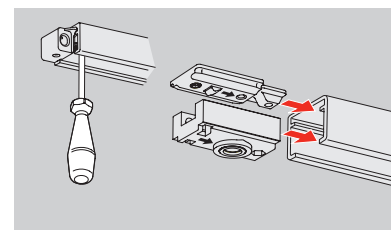
It is particularly important with these closers to check that the details of the fire test certification are relevant to your intended door application.

Additional features

Optional cushion stop (ref: 2420.CS) helps prevent doors from coming into contact with adjacent walls (note: this is not a backcheck function).

Optional mechanical hold-open unit can be retrofitted into the slide track. Hold-open angle can be adjusted from 80° to 120° and allows the door to be manually released from the hold-open position.

Mechanical hold-open must not be used on fire and smoke doors.



Product Ref:	Description	Mounting Position	Finishes
2420T	Closer with backcheck, slide in trimplate - adjustable power EN size 2 - 4	Door mounted or transom mounted	SE; SS; PS

Product Ref:	Accessories & Parts	Mounting Position	Finishes
2400.AP.PS	Arm pack	-	PS
2400.AP.SE	Arm pack	-	SE
2400.AP.SS	Arm pack	-	SS
2420.CS	Optional cushion stop	Mounted in the slide track	N/A
2420.FP	Fixing pack	-	N/A
2420.HP	Optional mechanical hold-open kit	Mounted in the slide track	N/A
2420.IP	2mm thick Intumescent pack - required for fire door applications		N/A

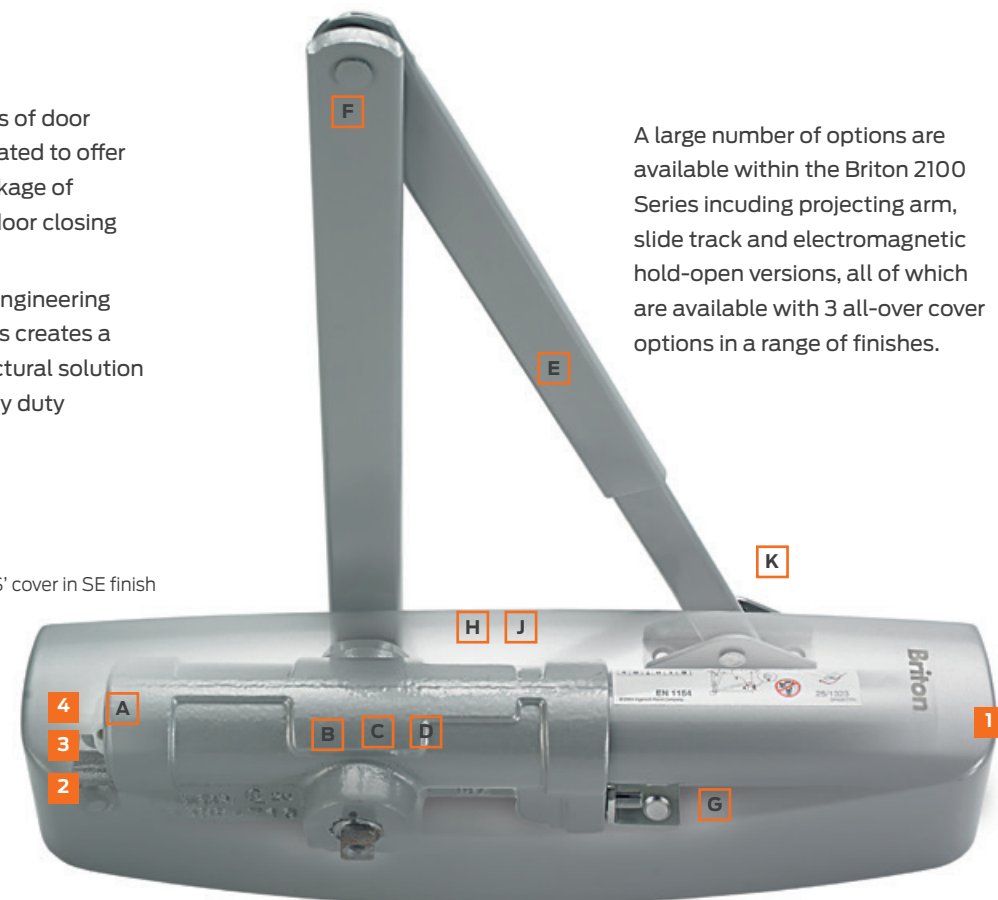
Please note; Cushion stop and mechanical hold-open cannot be used together

2100 Series - Severe Duty Closers (Level 5-3)

The Briton 2100 Series of door controls has been created to offer a comprehensive package of solutions to suit any door closing application. This combination of engineering quality and good looks creates a truly versatile architectural solution for any severe or heavy duty application.

A large number of options are available within the Briton 2100 Series including projecting arm, slide track and electromagnetic hold-open versions, all of which are available with 3 all-over cover options in a range of finishes.

Briton 2130B closer with 'S' cover in SE finish



Adjustments: 1 - Closing power; 2 - Closing speed; 3 - Latch action; 4 - Backcheck

Installation made quick and easy

The efficiency and durability of an overhead door control is greatly improved by accurate installation. The Briton 2100 Series is supplied with the Accufit self adhesive template which not only speeds up the installation process but provides a means of accurately aligning the closer and track on the door and frame.



Available with 3 cover options - showing 'C' cover in silver finish, 'L' cover in polished stainless steel and 'S' cover in satin stainless steel.

Easy installation, superior performance

Principal Features & Benefits

- A Cast iron body providing high levels of durability and long life performance
- B Hardened steel rack & pinion mechanism with needle roller bearings for exceptionally smooth and efficient operation and high levels of durability
- C Silicon chrome alloy steel springs for superior strength and reliability.
- D High quality hydraulic fluid with built-in temperature compensation ensures reliable performance without the need for seasonal adjustment
- E Pre-assembled arm and bracket simplifies assembly, increasing speed and accuracy of installation
- F Quick release arm allows the closer to be disconnected and reconnected without altering the arm geometry. It also allows the bracket to be fixed without being under tension from the closer
- G Unique self-adhesive 'Accufit' installation template and mounting plate with dowel fixings to position the closer body ensures a quick, simple and accurate installation.
- H 3 all over cover options conceal all fixings and adjustment screws to prevent tampering
- J Cover options in a range of architectural finishes with matching armset
- K Bracket and armset suitable for mounting in Fig.1, Fig.61 and Fig.66 as standard (projecting armset variants)

Installation made quick and easy

The Accufit System was developed with installers to facilitate accurate fitting and save time in installation. The Accufit System on the Briton 2100 Series has a self adhesive template, mounting bracket and pre-assembled arm that enables the door closer to be fitted quickly and accurately, greatly enhancing the life of the product.



Testing & Certification

CE marked to EN1154 - AD0031 (Briton 2130B)
- AD0032 (Briton 2130B.T)
CE marked to EN1155 for electromagnetic variants
Fire tested to EN1634 on timber doors to achieve a 2 hour fire rating, and 4 hours for metal doors (1 hr when used with Classic cover) .
Certifire Approved CF111

Full Declaration of Performance available from our website at:

www.britondops.co.uk

What's in the box?

- Closer Body
- Body Cover
- Armset and Bracket
- Fixing Pack
- Accufit template and backplate
- Installation Instructions



2100 Series - Electromagnetic Hold-open



The electromechanical Briton 2130B.TE closer houses an electromagnet in the slide track that is designed to hold the door open during normal use and is connected to the building fire alarm system. On sounding the fire alarm, or in the event of power failure, the electromagnet is deactivated and releases the door closer mechanism to close the door in the normal controlled manner. It is particularly suited for use in areas where a standard door closer could be inconvenient or would impede the flow of people in medium or high traffic applications such as a cinema foyer or hospital corridor. The use of electromagnetic hold-open door controls is recommended in applications which are designed to meet the levels of accessibility called for in Approved Document M Access to and use of buildings.

Power requirements

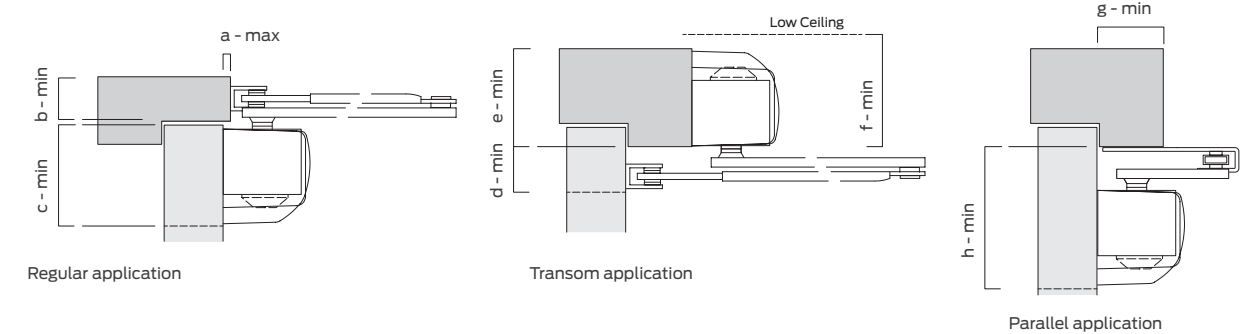
The closer power requirements are 24V DC, 90mA nominal. Transformers and relay interfaced to the fire alarm system can also be supplied to link the electricity supply and the fire alarm system.

Features of the Briton 2130B.TE closer

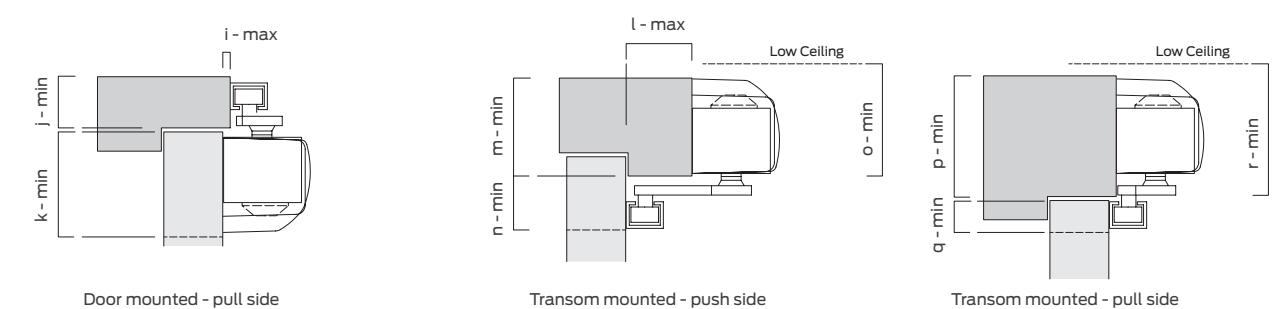
- Fully compliant with EN 1155.
- Satisfies the requirements of Approved Document M Access to and use of buildings
- Fail safe electronics guarantee door release in the event of a fire or power failure.
- Track mounted 24v DC electromagnet with an effective and reliable holding force.
- Manual override allows the door to be pulled closed at any time.
- On-board test switch simulates fire condition to check operation.
- Fully adjustable hold-open angle from 85° to 110°.
- 24v transformer/rectifier available.

2100 Series Installation Parameters

Closers with projecting arms (all cover options shown)



Closers with track arms (all cover options shown)



all dimensions are in mm

closer ref.	body cover	a	b	c	d	e	f	g	h
		C	7	28(41)	55	28(42)	50	68	44
2130B	L	7	28(41)	78	30(43)	55	78	44	117(130)
2130BD	S	7	28(41)	78	30(43)	55	78	44	117(130)

Figures in brackets refer to dimensions when used with mechanical hold-open armsets

closer ref.	body cover	i	j	k	l	m	n	o	p	q	r
		C	12	41	78	76	55	45	78	75	22
2130B.T	L	12	41	78	76	55	45	78	75	22	95
2130B.TE	S	12	41	78	76	55	45	78	75	22	95



Mechanical hold-open armset option (2130)

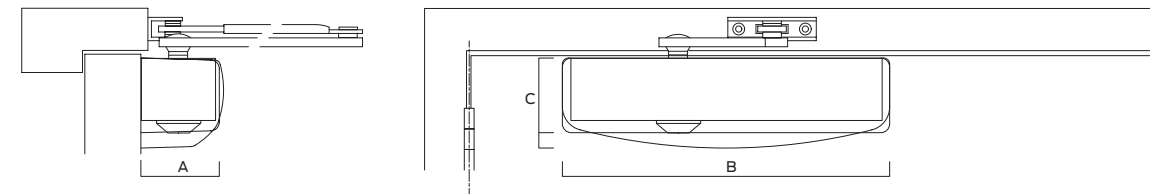
2100 Series - Quick Selector

Product features					
EN Closer size	max. door size [width - weight]	2130B	2130BD	2130B.T	2130B.TE
1	750mm - 20kg				
2	850mm - 40kg	■	■	■	
3	950mm - 60kg	■	■	■	■
4	1100mm - 80kg	■	■	■	■
5	1250mm - 100kg	■	■		
6	1400mm - 120kg	■	■		
CE marked		■	N/A	■	■
Variable closing power EN size		2 - 6	2 - 6	2 - 4	3 - 4
Power adjustment by spring or template		spring	spring	spring	spring
Accufit template & Accufit mounting plate		■	■	■	■
Max. angle of opening (controlled closing)		180°	180°	180°	110°
Adjustable closing speed & latch action		■	■	■	■
Adjustable backcheck		■	■	■	■
Adjustable delayed action			■		
Tri-pack armset (projecting arm closers)		■	■		
Slide channel and arm				■	■
Mechanical hold-open facility		□	□		
Electro-magnetic hold-open facility					■
Cover variants available (C; L; S)		C/L/S	C/L/S	C/L/S	C/L/S
Finishes					
Guarantee period		10yrs	10yrs	10yrs	10yrs/2yrs
CE Classification		4 8 2-6 11 3	4 8 2-6 0 1 3	4 8 2-4 1 1 3	3 8 3-4 1 1 3

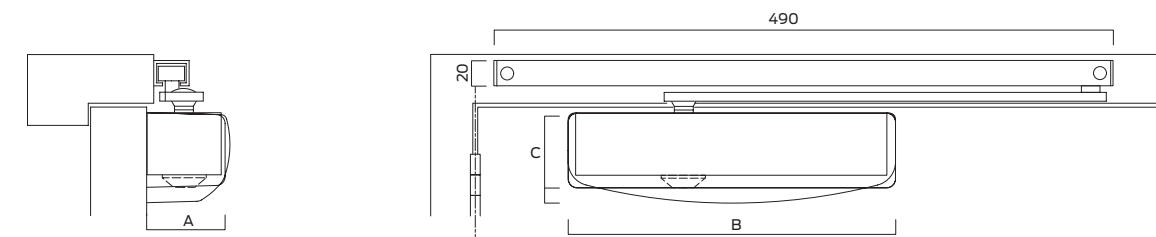
■ Feature as standard □ Available as a variant (e.g 2130B.H / 2130BD.H) cover options as above

Product Ref:	Description	Cover Option	Finishes
2130B.C	Projecting arm closer - spring adjustable EN 2 - 6 - with backcheck	C cover	
2130B.L	Projecting arm closer - spring adjustable EN 2 - 6 - with backcheck	L cover	
2130B.S	Projecting arm closer - spring adjustable EN 2 - 6 - with backcheck	S cover	
2130BD.C	Projecting arm closer - spring adjustable EN 2 - 6 - with backcheck & delayed action	C cover	
2130BD.L	Projecting arm closer - spring adjustable EN 2 - 6 - with backcheck & delayed action	L cover	
2130BD.S	Projecting arm closer - spring adjustable EN 2 - 6 - with backcheck & delayed action	S cover	
2130B.T.C	Track arm closer - spring adjustable EN 2 - 4 - with backcheck	C cover	
2130B.T.L	Track arm closer - spring adjustable EN 2 - 4 - with backcheck	L cover	
2130B.T.S	Track arm closer - spring adjustable EN 2 - 4 - with backcheck	S cover	
2130B.TE.C	Track arm electromag hold-open closer - spring adjustable EN 3 - 4 - with backcheck	C cover	
2130B.TE.L	Track arm electromag hold-open closer - spring adjustable EN 3 - 4 - with backcheck	L cover	
2130B.TE.S	Track arm electromag hold-open closer - spring adjustable EN 3 - 4 - with backcheck	S cover	

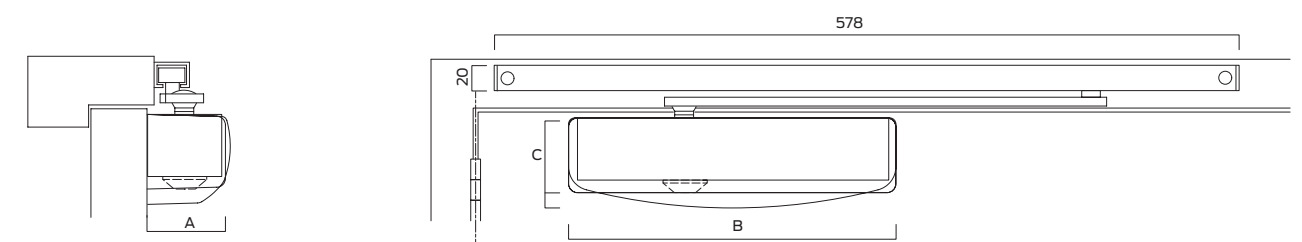
Closer with projecting arm and L, S or C cover



Closer with track arm and L, S or C cover



Closer with electro-magnetic track arm and L, S or C cover



all dimensions are in mm

Product Ref:	Accessories & Parts	Finishes
2130.AP	Arm pack for 2130B and 2130BD	BM; SE; SS; PB
2130.APH	Hold-open arm pack for 2130B and 2130BD	SE; GE
2130.BP	Bracket pack for 2130B and 2130BD	N/A
2130.FP.ZP	Fixing pack	SV
2130.H.BRK66	Fig. 66 hold-open bracket pack for 2130B	SE
2130.T.AP	Track arm pack for 2130B and 2130BD	BM; SE; SS; PS
2130.T.FP	Track arm fixing pack	SV
2130.T.FPS	Security fixing pack	SV
2130.TE.AP	Electromagnetic track arm pack	SE; SS

closer ref.	cover	A	B	C
2130B	C	66	310	55
2130BD	L	62	318	74
2130B.T	S	71	318	76
2130B.TE				

2000 Series - Heavy/Medium Duty Closers (Level 3-2)

The Briton 2000 Series offers adjustable and fixed strength power sizes providing a comprehensive package of solutions to suit most door closing applications.

When the situation of use and the door size and weight is known, fixed strength closers provide an economic solution. With little on-site adjustment needed, installation is quick and trouble-free.

The adjustable power 2003V provides the flexibility to 'fine tune' the closing power of the door control in order to achieve the low 'opening forces' necessary to satisfy the requirements of Approved Document M of The Building Regulations and the guidance of BS 8300 in relation to The Equality Act (2010).



Briton 2003T.SSS slide track closer with matching track and arm in satin stainless steel. For full details of finishes please refer to page 74.



Adjustments: 1 - Closing power; 2 - Closing speed; 3 - Latch action; 4 - Backcheck

Reliable, fixed strength and adjustable power closers

Principal Features & Benefits

- A Cast aluminium body.
- B Steel rack and pinion mechanism is heat treated for strength and durability.
- C Forged, heat treated and ground steel piston for rugged durability.
- D High quality hydraulic fluid with built-in temperature compensation ensures reliable performance without the need for seasonal adjustment
- E Stylish flatform arm in finish to match door closer cover.
- F The mechanism is safety valve protected to prolong the life of the closer against abuse and misuse.
- G Precision needle roller bearings for optimum performance and efficiency.
- H Classic fabricated cover conceals fixings and adjustment screws, reducing the risk of vandalism. Available in a range of architectural finishes with matching arms or track to complement a variety of door hardware ranges.
- J Briton badge of authenticity.
- K Accufit template increases the accuracy of installation and helps to reduce installation time



Briton 2003V power adjustment



Mechanical hold-open armset

Testing & Certification

- CE marked to EN1154 - AD0013 (Briton 2003)
- AD0014 (Briton 2004)
- AD0168 (Briton 2003V)

Fire tested to EN1634 on timber doors to achieve a 2 hour fire rating, and 4 hours for metal doors.

Certifire Approved CF111

Full Declaration of Performance available from our website at:

www.britondops.co.uk

What's in the box?

- Closer Body
- Body Cover
- Tri-Pack Armset and Brackets
- Fixing Pack
- Installation Instructions



Except 2003

2000 Series - Quick Selector

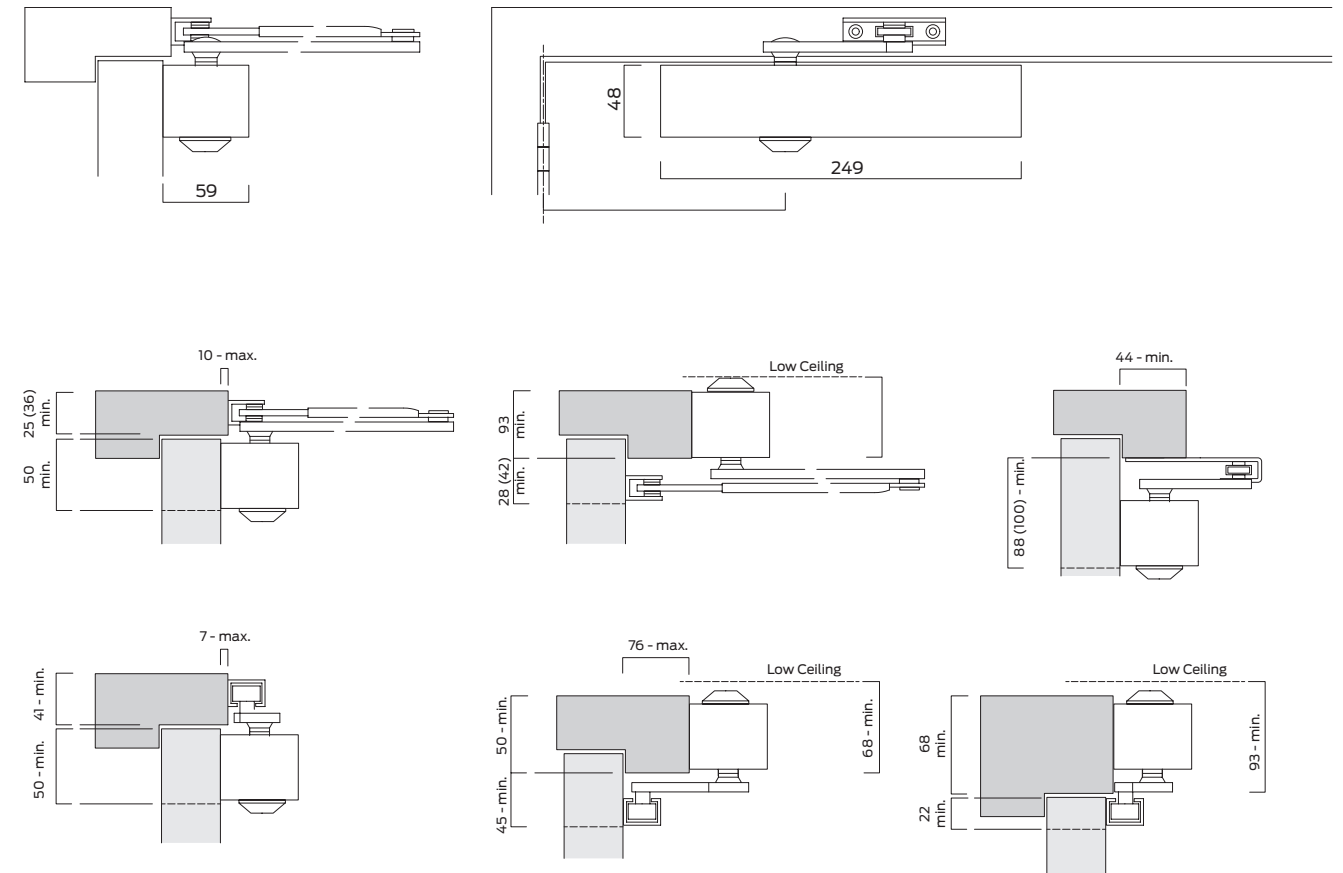
Product features		Product references		
EN Closer size	max. door size [width - weight]	2003	2003V	2004
1	750mm - 20kg		■	
2	850mm - 40kg		■	
3	950mm - 60kg	■	■	
4	1100mm - 80kg		■	■
5	1250mm - 100kg			
6	1400mm - 120kg			
CE marked		■	■	■
Fixed closing power EN size		3		4
Adjustable closing power EN size			1 - 4	
Accufit installation template		■	■	■
Maximum angle of opening (controlled closing)		180°	180°	180°
Adjustable closing speed & latch action		■	■	■
Adjustable backcheck			■	
Tri-pack armset		■	■	■
Mechanical hold-open facility		□	□	□
Projecting arm closer		■	■	■
Slide channel and arm				
Cover variants available		C (classic)	C (classic)	C (classic)
Finishes		SSS; PSS; PBS; SES + Powder Coated Normbau Colours (see page 74)		
Guarantee period		10yrs	10yrs	10yrs
CE Classification		4 8 3 1 1 3	4 8 1-4 1 1 3	4 8 4 1 1 3

■ Feature as standard □ Available as an option

Product Ref:	Description	Cover Option	Finishes
2003	Projecting arm closer - fixed power size EN 3	C cover	SSS; PSS; PBS;
2003V	Projecting arm closer - spring adjustable EN 1 - 4 - with adjustable backcheck	C cover	SES + Normbau
2004	Projecting arm closer - fixed power size EN 4	C cover	Colours

Product Ref:	Accessories & Parts	Finishes
2000.AP	Arm pack for Briton 2000 Series	SE; SS; PB +
2000.APH	Hold-open arm pack for 2000 Series	Normbau Colours

Closer with projecting arm & Classic cover



all dimensions are in mm
Dimensions in brackets are for hold-open armsets

1100 Series - Medium Duty Closers (Level 3-2)

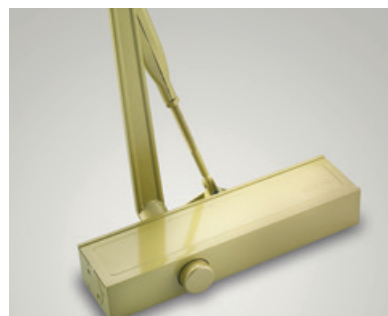
The Briton 1100 Series is designed to provide a mid-range product with a choice of the most popular options, in a concise, cost-effective package. The Briton 1100 Series is a simple system which comprises 3 body sizes, each available as standard with a slide-in trimplate or with optional Classic square or Softline all-over covers.



Briton 1110.SES with trimplate

Adjustments: **1** - Closing power; **2** - Closing speed; **3** - Latch action; **4** - Backcheck

The combinations of performance and cover options provides a highly comprehensive series of closers which can be suited across a wide range of functions and applications. Note: All covered variants have a flat arm as standard. All trimplate variants have screw thread arms as standard.



Briton 1120B.GES with trimplate in sprayed gold finish



Briton 1110.C.SS with Classic cover in satin stainless steel

A comprehensive family of closers which allows suiting across a wide range of performance variants

Principal Features & Benefits

- A Cast aluminium body
- B Precision needle roller bearings allied with rack and pinion mechanism provides efficient operation and high levels of durability.
- C High quality silicon chrome alloy steel used for the coil spring.
- D High quality hydraulic fluid with built-in temperature compensation ensures reliable performance without the need for seasonal adjustment
- E Screw thread armset manufactured from forged steel for additional strength and durability supplied for all trimplate variants. Simple flat arm and bracket set for all-over cover variants
- F Available with snap joint arm for quick and easy installation and future maintenance.
- G All-over cover option to conceal all fixings and adjustment screws providing a neat appearance and reducing the risk of vandalism and tampering. Available in classic square or rounded softline variants.
- H Trimplate option is a simple and cost effective means of concealing fixing and adjustment screws reducing the risk of vandalism and tampering.

Testing & Certification

- CE marked to EN1154 - AD0033 (Briton 1110)
- AD0034 (Briton 1120B)
- AD0113 (Briton 1130B)

CE marked to EN1155 for electromagnetic hold-open variants

Fire tested to EN1634 on timber doors to achieve a 2 hour fire rating, and 4 hours for metal doors

Certifire Approved CF388

Full Declaration of Performance available from our website at:

www.britondops.co.uk

What's in the box?

- Closer Body
- Body Cover/Trimplate
- Tri-Pack Armset and Brackets
- Fixing Pack
- Installation Instructions



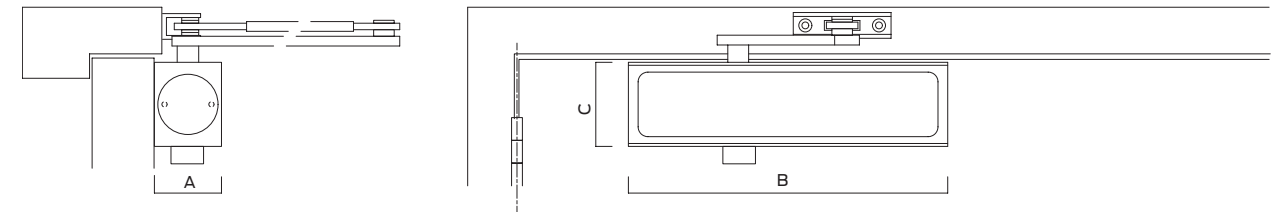
Electromagnetic hold-open variant is available in trimplate or with all-over Softline cover



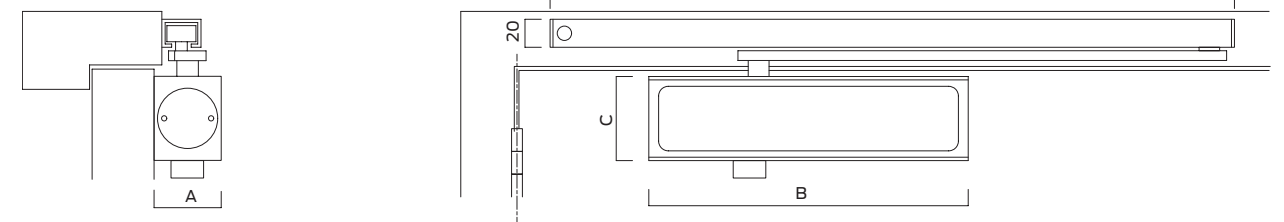
Features of the Briton 1130B.TE closer

- Fully compliant with EN 1155
- Satisfies the requirements of Approved Document M
- Fail safe electronics guarantee door release in the event of a fire or power failure
- Track mounted 24v DC electromagnet with an effective and reliable holding force
- Manual override allows the door to be pulled closed at any time
- On-board test switch simulates fire condition
- Fully adjustable hold-open angle from 75° to 110°
- 24v transformer/rectifier available

Closer with projecting arm & trimplate



Closer with track arm & trimplate



	1110	1120B	1130B	1130B.T	1130B.TE
A	38.5	38.5	48	48	48
B	207	236	257	257	257
C	60	60	60	60	60

Briton 1130B.TE Electro-magnetic hold-open

An electromagnet in the slide track is designed to hold the door open during normal use and is connected to the building fire alarm system. On sounding the fire alarm, or in the event of power failure, the electromagnet is deactivated and releases the door closer mechanism to close the door in the normal controlled manner.

It is particularly suited for use in areas where a standard door closer could be inconvenient or would impede the flow of people in medium or high traffic applications such as a cinema foyer or hospital corridor.

The use of electro-magnetic hold-open door controls are recommended in applications which are designed to meet the levels of accessibility called for in Approved Document M Access to and use of buildings.

Additional features

Optional mechanical hold-open unit can be used to replace the standard armset on projecting arm closers or retrofitted into the slide track. Hold-open angle can be adjusted from 80° to 120° and allows the door to be manually released from the hold-open position.

Mechanical hold-open must not be used on fire and smoke doors.



Mechanical hold-open armset option for projecting arm variants



Mechanical hold-open conversion kit for slide track variants

1100 Series - Quick Selector

Product features		Product references				
EN Closer size	max. door size [width - weight]	1110	1120B	1130B	1130B.T	1130B.TE
1	750mm - 20kg					
2	850mm - 40kg	■	■	■	■	
3	950mm - 60kg	■	■	■	■	■
4	1100mm - 80kg	■	■	■	■	■
5	1250mm - 100kg			■		
6	1400mm - 120kg			■*		
CE marked		■	■	■		■
Fixed closing power EN size						
Adjustable closing power EN size		2 - 4	2 - 4	2 - 6*	2 - 4	3 - 4
Maximum angle of opening (controlled closing)		105°	180°	180°	180°	105°
Adjustable closing speed & latch action		■	■	■	■	■
Adjustable backcheck			■	■	■	■
Tri-pack armset (projecting arm closers)		■	■	■		
Mechanical hold-open facility		□	□	□	□	
Electro-magnetic hold-open						■
Slide channel and arm					■	■
Trimplate cover option		■	■	■	■	■
All over cover variants available	all variants available with C (classic) / S (softline) cover options					
Finishes	SE; SES; GES (trimplate variants) - SES; GES; SSS; PSS; PBS (all covered variants)					
Guarantee period		10yrs	10yrs	10yrs	10yrs	10yrs
CE Classification		382-4113	482-4113	482-6113	482-4113	383-4113

■ Feature as standard □ Available as an option

Briton 1110.SES closer with standard trimplate in SES finish



Briton 1120B.C.SSS closer with Classic cover in Satin stainless steel with matching arms.



Briton 1120B.S.SSS closer with Softline cover in Satin stainless steel with matching arms.



A wide choice of cover and finish options



Product Ref:	Description	Cover Option	Finishes
1110	Projecting arm closer - template adjustable EN 2 - 4	Trimplate	SE; SES; GES
1110.C	Projecting arm closer - template adjustable EN 2 - 4	C cover	SES; GES; SSS; PSS; PBS
1110.S	Projecting arm closer - template adjustable EN 2 - 4	S cover	SES; SSS; PSS; PBS
1120B	Projecting arm closer - spring adjustable EN 2 - 4 - with backcheck	Trimplate	SES; GES
1120B.C	Projecting arm closer - spring adjustable EN 2 - 4 - with backcheck	C cover	SES; SSS; PSS; PBS
1120B.S	Projecting arm closer - spring adjustable EN 2 - 4 - with backcheck	S cover	
1130B	Projecting arm closer - spring adjustable EN 2 - 6 - with backcheck	Trimplate	SE; SES; GES
1130B.C	Projecting arm closer - spring adjustable EN 2 - 6 - with backcheck	C cover	SES; SSS; PSS; PBS
1130B.S	Projecting arm closer - spring adjustable EN 2 - 6 - with backcheck	S cover	
1130B.TE	Track arm electromag hold-open closer - spring adjustable EN 3- 4 - with backcheck	Trimplate	SES; GES
1130B.TE.S	Track arm electromag hold-open closer - spring adjustable EN 3- 4 - with backcheck	S cover	SES; SSS

Product Ref:	Accessories & Parts	Finishes
1110.AP	Arm pack (screwthread) for 1110 & 1120B trimplate closers	SE
1110.APF	Flatform arm pack	SE; SS; PB
1110.APH	Hold-open arm pack for projecting arm closers	BM; GE; SE
1110.BRK66	Fig. 66 bracket pack	SE
1110.FP.ZP	Fixing pack	SE
1130.AP	Arm pack (screwthread) for 1130B trimplate closers	SE
1130.APF	Flatform arm pack for 1130B	SE; SS; PS; PB
1130.APH	Hold-open arm pack for projecting arm closers	BM; SE
1130.F.PLT	Fixing plate	BM; SE; WHS
1130.HP	Hold-open conversion kit for slide track closers	N/A
1130.TPB	Trimplate	SE

996 Series - Electromagnetic Hold-open or Swing-free (Level 5)



Parallel mounted version illustrated

Typically used on fire rated doors where the hold-open or swing-free feature is required either in high traffic areas for convenience or in situations where it would be difficult to satisfy the maximum opening force requirements of Part M of The Building Regulations.

Linked to the building's alarm system, electromagnetic door controls eliminate the illegal practice of wedging doors open. This dangerous practice prevents a fire door functioning as it should in stopping the spread of flames and smoke in the event of a fire.

Adjustments: **1** - Closing speed; **2** - Latch action

Smart, reliable and fire safe

Principal Features & Benefits

- A Pressure die cast aluminium body giving rugged durability.
- B Steel rack and pinion mechanism is heat treated for strength and durability.
- C High quality silicon chrome alloy steel used for the coil spring.
- D Armset and brackets for regular or transom mounting (for parallel mounting please specify when ordering)
- E Fabricated steel cover is available in a range of finishes
- F 'Catch plate' can be set to operate in hold-open or swing-free mode at the point of installation.
- G Electromagnet is controlled by the building fire alarm/detector and activates the 'catch plate' to ensure the door closes automatically in the event of a fire or power failure.
- H Optional rear entry cable allows units to be installed with concealed cable via a concealed loop to protect the closer against vandalism.
- J Supplied with flexible armoured power loop (330mm long as standard) to run power safely from the door frame to the closer.

Primary options

- Fixed power units to suit the most common door sizes
- Site selectable for 'hold-open' or 'swing-free' operation
- Can be installed in regular, transom or parallel mounting
- Cover is visually compatible with Classic C cover and is available in a range of metallic, plated and sprayed finishes
- Extra long armoured loop up to 700mm long available



Briton 9963/01/SE in transom mounting with black arms and bracket

Testing & Certification

CE marked to EN1154 - AE0007 (Briton 9963)
 - AE0008 (Briton 9964)
 - AE0012 (Briton 9965)

CE marked to EN1155 for electromagnetic hold-open variants
 Fire tested to EN1634 on timber doors to achieve a 2 hour fire rating.
 Certifire Approved CF109

Full Declaration of Performance available from our website at:

www.britondops.co.uk

What's in the box?

- Closer Body
- Body Cover
- Appropriate Arm and Bracket
- Armoured Loop
- Fixing Pack
- Installation Instructions



996 Series - Quick Selector

Product features		Product references					
EN Closer size	max. door size [width - weight]	9963/01	9963/66	9964/01	9964/66	9965/01	9965/66
1	750mm - 20kg						
2	850mm - 40kg						
3	950mm - 60kg	■	■				
4	1100mm - 80kg			■	■		
5	1250mm - 100kg					■	■
6	1400mm - 120kg						
CE marked (EN 1155)		■	■	■	■	■	■
Fixed closing power EN size		3	3	4	4	5	5
Max. angle of opening (controlled closing)		110°	110°	110°	110°	110°	110°
Adjustable closing speed & latch action		■	■	■	■	■	■
Regular and transom mounting		■		■		■	
Parallel mounting			■		■		■
Hold-open adjustment		■	■	■	■	■	■
Free-swing operation		■	■	■	■	■	■
Cover variants available		Classic	Classic	Classic	Classic	Classic	Classic
Finishes		GE; GES; PB; PBS; PS; PSS; SE; SES; SS; SSS (see table opposite for full details)					
Guarantee period		All variants - 10yrs mechanical / 2 years electrical					
CE Classification		3 8 3 1 1 3	3 8 3 1 1 3	3 8 4 1 1 3	3 8 4 1 1 3	3 8 5 1 1 3	3 8 5 1 1 3

■ Feature as standard □ Available as an option

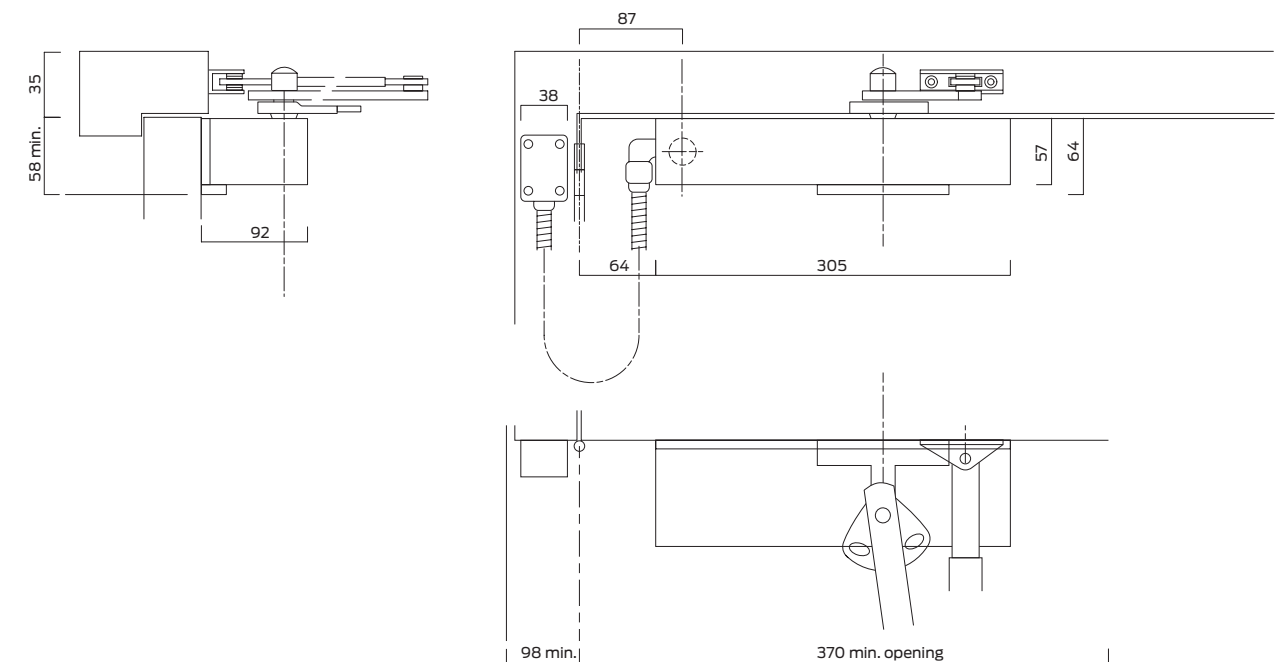
Power requirements

For the operation of the closer the power requirements are 24V DC, 90mA nominal. Transformers and relay interfaced to the fire alarm system can also be supplied to link the electricity supply and the fire alarm system (see chart).

Please note:

It is suggested that all electromagnetic hold-open door closers be fitted with a release button close to the door frame so that the door can be released without having to manually pull the door away from the hold open mechanism.

Closer in regular mounting with armoured loop



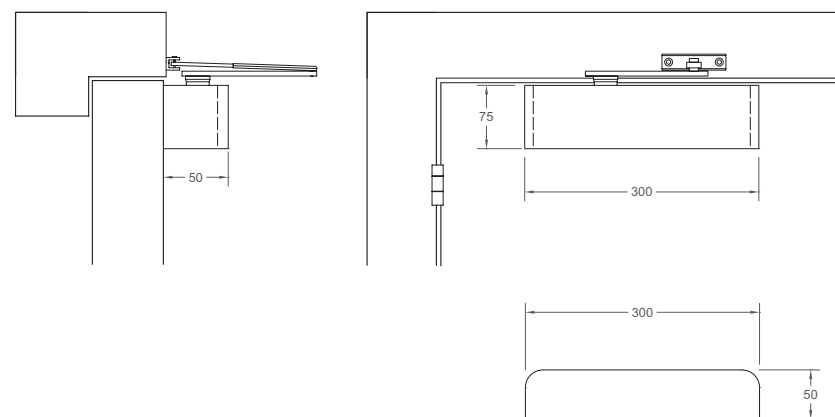
Product Ref:	Description	Mounting Option	Finishes
9963/01	Electromagnetic hold-open/swing-free closer - fixed power EN3	Regular & Transom mount	
9963/66	Electromagnetic hold-open/swing-free closer - fixed power EN3	Parallel mount	PB; PBS; SE; SES; SS; SSS
9964/01	Electromagnetic hold-open/swing-free closer - fixed power EN4	Regular & Transom mount	
9964/66	Electromagnetic hold-open/swing-free closer - fixed power EN4	Parallel mount	
9965/01	Electromagnetic hold-open/swing-free closer - fixed power EN5	Regular & Transom mount	GE; GES; PB; PBS; PS; PSS; SE; SES; SS; SSS
9965/66	Electromagnetic hold-open/swing-free closer - fixed power EN5	Parallel mount	

Product Ref:	Accessories & Parts	Finishes
996/BRK66	Fig. 66 bracket pack	BM; SE
996/FP01/ZP	Fixing pack for Briton 996 Fig. 1	SE
996/FP66/ZP	Fixing pack for Briton 996 Fig. 66	SE
996/FLSL/550	Flexible loop for Briton 996 - 550mm long	N/A
996/FLSL/600	Flexible loop for Briton 996 - 600mm long	N/A
996/FLSL/700	Flexible loop for Briton 996 - 700mm long	N/A
996/AP01	Fig. 1 arm pack	BM; SS; SE; PB
996//AP66	Fig. 66 arm pack	BM; SS; SE
996/863/UF	Magnet for Briton 996	N/A
996/DP66	Drop plate for Briton 996 Fig. 66	BM; SE
996/CP01	Fig. 1 Cover pack	SS; SE; PB

3934 - Electromagnetic Hold-open or Swing-free (Level 5)

Typically used on fire rated doors where the hold-open or swing-free feature is required either in high traffic areas for convenience or in situations where it would be difficult to satisfy the maximum opening force requirements of Part M of The Building Regulations.

Each unit can be set to either 'hold-open' or 'swing-free' operation. In either case the spring closing function of the closer can be temporarily disabled to allow free passage. When de-activated via a connection to the building fire alarm or smoke detection system, the electromagnet disengages and the door closer closes the door in the normal manner to maintain fire safety.



Smart, reliable and fire safe

Features & Benefits

- Template adjustable power Size EN 3-4 (see table)
- Stainless steel grade 304 softline cover available in silver and satin steel finishes to suite with Briton 2300 and 2700 closers with softline covers to complement a variety of door hardware ranges.
- Designed for use on low voltage circuits 24V DC linked to a fire alarm
- Solution offering hold-open and free swing
- Easy Installation
- Attractive compact design
- Test switch simulates fire condition of check operation
- When the fire alarm is activated, the door will close automatically from any position to help prevent the spread of fire

Mounting	Power size	Max. door opening	EN Classification
Door mounted	3	180°	3 8 3-4 1 1 3
	4	110°	
Transom mounted	3	180°	3 8 3-4 1 1 3
	4	110°	
Parallel mounted	3	170°	3 8 3 1 1 3

Product Ref:	Description	Mounting Option	Finishes
3934	Electromagnetic hold-open/swing-free closer - Template adjustable EN 3-4	Regular and Transom mount	SSS

Testing & Certification

CE marked to EN1154 - AE5012

CE marked to EN1155 for electromagnetic hold-open variants

Fire tested to EN1634 on timber doors to achieve a 2 hour fire rating.

Certifire Approved CF5598

Full Declaration of Performance available from our website at:

www.britondops.co.uk

What's in the box?

- Closer Body
- Body Cover
- Appropriate Arm and Bracket
- Armoured Loop
- Fixing Pack
- Installation Instructions



2820 Series - Medium Duty Floor Springs (Level 4)

The Briton 2820 Series floor springs are designed for high traffic areas on single or double action doors. These fixed power units are ideally suited to timber, metal and tempered glass doors in areas where a discreet, high quality aesthetic is required, or where a surface mounted closer may be subject to abuse.



Adjustments: **1** - Closing speed (from 130° opening); **2** - Latch action; **3** - Lateral & vertical adjustment of the closer

Performance

Briton 2820 Series floor springs are mounted within a low profile cement box. They are suitable for single and double action doors with a maximum opening angle of 130° and with optional hold-open facility. Please note: Mechanical hold-open must not be used on fire door applications.



Low profile floor springs suitable for single or double action single or double doors

Features & Benefits

- A High grade cast iron floor spring body.
- B Heat treated high alloy steel mechanism with ball bearing race for optimum efficiency.
- C Corrosion resistant galvanised steel, zinc coated and powder coated steel cement box.
- D High quality hydraulic fluid with built-in temperature compensation ensures reliable performance in temperatures from -15°C to +40°C without the need for seasonal adjustments.
- E Low profile cement box - only 40mm deep. Closer mechanism adjustment within the cement box for height 4mm, length 7mm and width 10mm.
- F Full adjustment within the cement box for height and lateral positioning for perfect door alignment.
- G Stainless steel cover plate available in satin or polished finish.
- H Hardened steel spindle.
- J Easy access to floor spring adjustments for closing speed and latch action. Adjusters cannot be backed out of the closer body.
- K Spindle cover.
- L Single action and double action accessory packs available.

Testing & Certification

CE marked to EN1154 - AD0304 (Briton 2823)
- AD0305 (Briton 2824)

Note: Briton 2822 is NOT CE marked

Fire tested to EN1634 on timber doors to achieve a 1 hour fire rating

Full Declaration of Performance available from our website at:

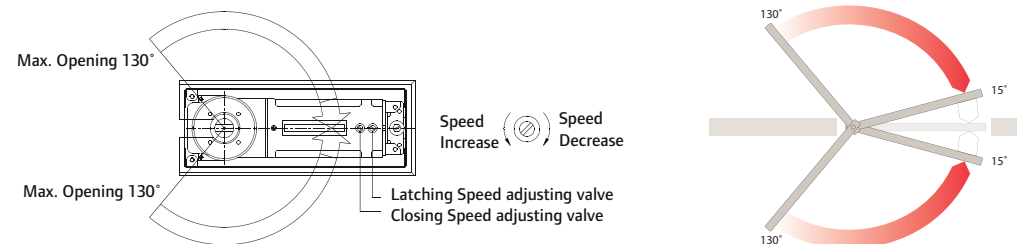
www.britondops.co.uk



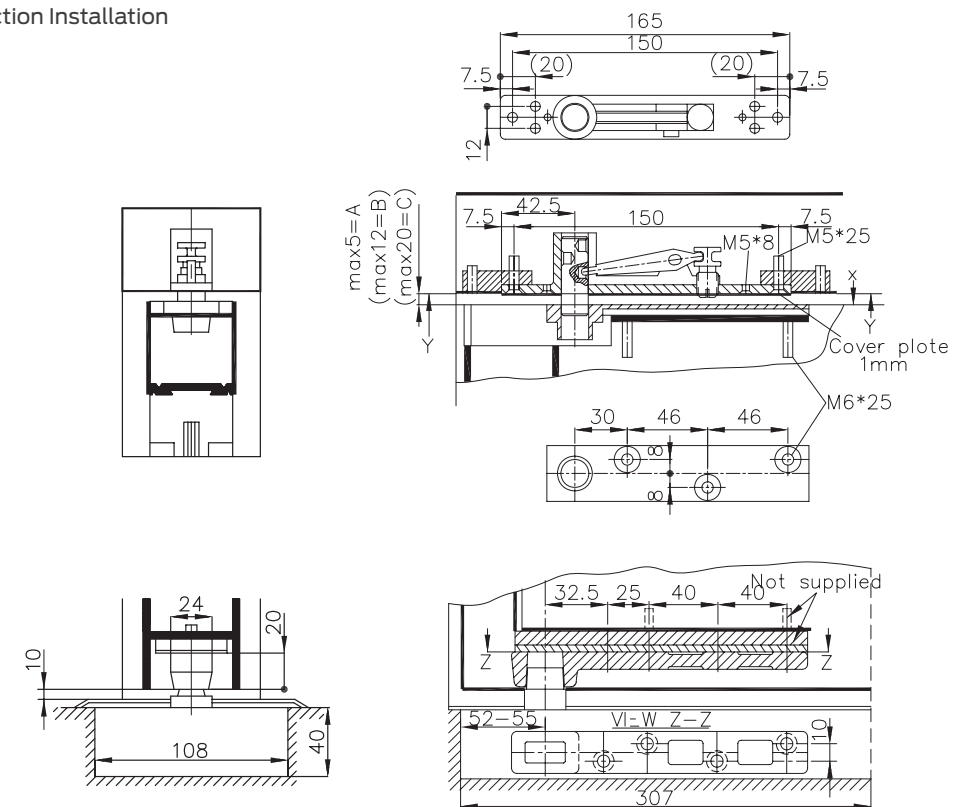
What's in the box?

- Floor Spring Body
- Cover Trimplate
- Standard Spindle and Spindle Cover
- Cement Box
- Fixing Pack
- Installation Instructions

2820 Series - Medium Duty Floor Springs (Level 4)



Double Action Installation



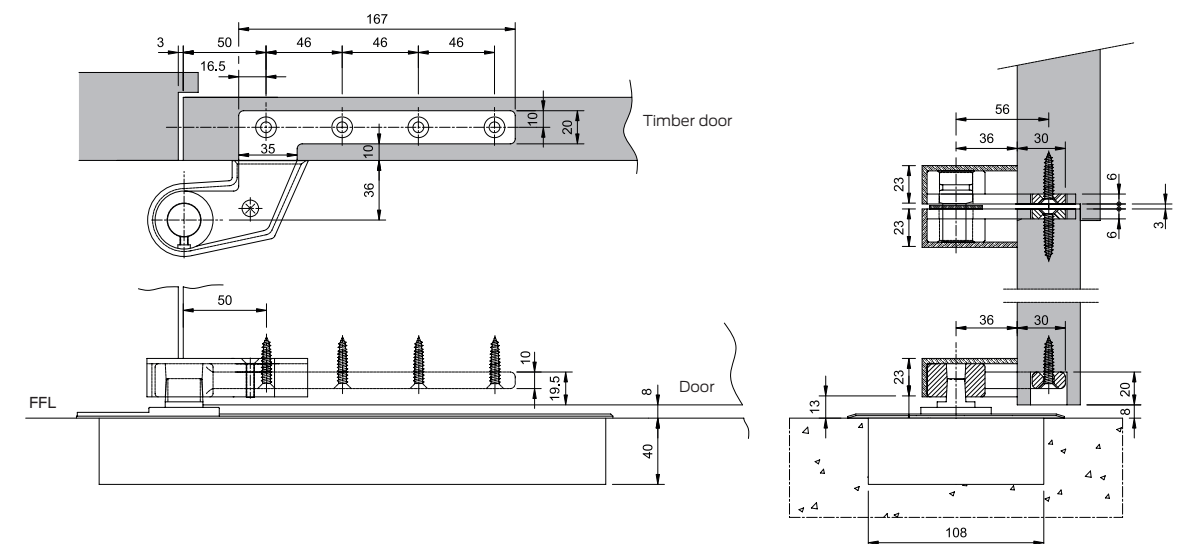
Primary options

- Fixed power units to suit the most common door sizes EN 2 to EN 4
- Each unit is suitable for single or double action
- Variants are available with built-in hold-open facility at 90° or 105° (These variants are not suitable for use on fire door applications)
- Accessories are available for single or double action
- Single action accessories are supplied with stainless steel cover caps to match the floor spring cover plate

Application	Floor spring	Max. closing force	Max. door width
Light duty	2822*	20Nm	900mm
Med. duty	2823	25Nm	1000mm
Heavy duty	2824	33Nm	1100mm

* 2822 is not CE marked

Single Action Installation



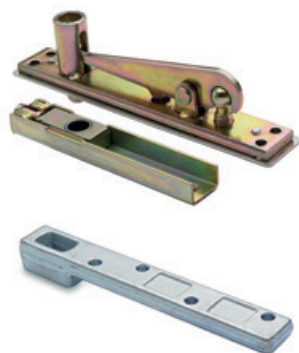
2820 Series - Quick Selector

Product features		Product references				
EN Closer size	max. door size [width - weight]	2822.SS	2823.SS	2824.SS	2823.SS.HO.90	2823.SS.HO.105
1	750mm - 20kg					
2	850mm - 40kg	■				
3	950mm - 60kg		■		■	■
4	1100mm - 80kg			■		
5	1250mm - 100kg					
6	1400mm - 120kg					
CE marked			■	■		
Fixed closing power EN size		2	3	4	3	3
Conforms to EN 1154		■	■	■	■	■
Suitable for single action doors		■	■	■	■	■
Suitable for double action doors		■	■	■	■	■
Maximum angle of opening (controlled closing)		130°	130°	130°	130°	130°
Adjustable closing speed & latch action		■	■	■	■	■
Mechanical hold-open					■ 90°	■ 105°
Dimensions	cement box 307 x 108 x 40mm; cover plate 325 x 130mm					
Cover plate in satin stainless steel		■	■	■	■	■
Cover plate in polished stainless steel		□	□	□	□	□
Guarantee period		2yrs	10yrs	10yrs	10yrs	10 yrs
CE Classification		4 8 3 1 1 3		4 8 4 1 1 3		

■ Feature as standard □ Available as an option

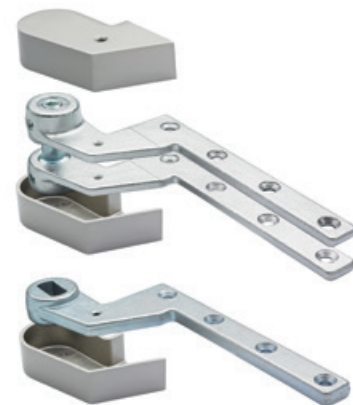
Double Action - Briton 2820 DAP

Two part top pivot accessory with lateral adjustment screw accessed from the edge of door. Top pivot is retractable to allow the door to be installed/removed. Bottom strap to align with floor spring spindle.

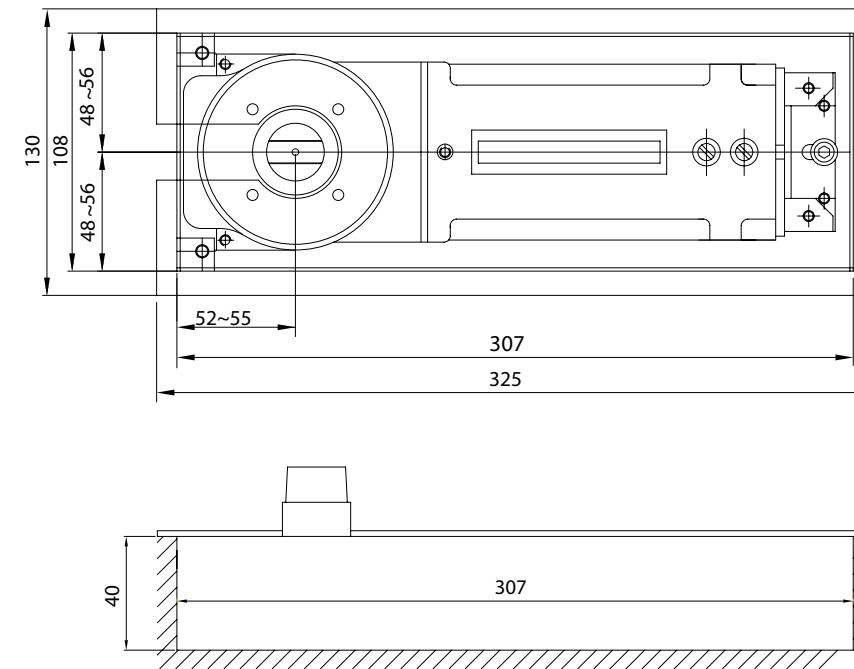


Single Action - Briton 2820 SAP

Two part top pivot accessory with cover caps. This assembly is reversible for left or right hand doors. Bottom strap with cover cap to align with floor spring spindle.



Floor spring dimension (all models)

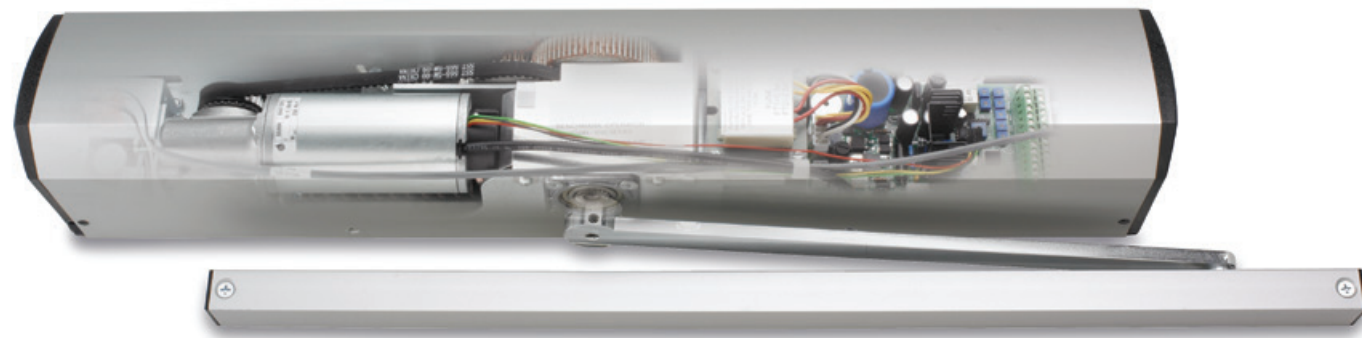


Product Ref:	Description	Finishes
2822	Floor spring - fixed power EN2 (not CE marked)	SS
2823	Floor spring - fixed power EN3	SS; PS
2824	Floor spring - fixed power EN4	SS; PS
2823.SS.HO.90	Floor spring - fixed power EN3 with hold-open facility at 90°	SS
2823.SS.HO.105	Floor spring - fixed power EN3 with hold-open facility at 105°	SS
2820 DAP	Double action accessory pack	SS
2820 SAP	Single action accessory pack	SS
2820.CP.PS	Floor spring cover plate in polished stainless steel	PS
2820.IP.DAP	Intumescent fire protection pack for double action doors and accessories	N/A
2820.IP.SAP	Intumescent fire protection pack for single action doors and accessories	N/A

2500 Series – Low Energy Door Operator

The Briton 2500 Series is a power assisted, low energy swing door operator that allows users total freedom from manual door operation. It is designed to provide safe and easy access for all users and can be installed on new or existing inward or outward opening doors.

With an array of built-in safety features, the Low Energy operator is an ideal means of providing easy access from entrance doors through to disabled WC facilities.



Unit with slide track arm for fitting to the pull side of the door.

Adjustments: **1** - Closing speed (from 180°); **2** - Power Boost; **3** - Delayed action from 0 - 30 seconds

The Low Energy operator provides a highly economic solution to the obligation placed on service providers to comply with legislation concerning access for disabled users. This totally self contained unit can be applied to existing hinged or pivoted timber, metal or glazed doors without altering the doors or frames.

Please note, the Briton 2500 Series is suitable for internal doors only.



Easy access, safe and effective

Features & Benefits

- Suitable for internal doors only
- The standard Low Energy operator gives precise door control in all conditions, monitoring the door position and allowing simple adjustment of the door operating parameters such as the opening and closing speeds. In addition, provision is made for extra controls including:
 - Automatic operation mode (selectable option) allows activation by either motion sensor, manual push pad/plate or via an integrated access control device
 - Push & Go (selectable option) allows activation by gently pushing or pulling the door
- Manual operation allows the door to be easily operated as a standard manual door whilst still giving smooth action over the door cycle
- Safety stop halts the door when an object or person is encountered
- Emergency egress allows manual door opening
- Satin anodised aluminium finish

Principal Modes of Application

The Low Energy operator is surface mounted and is suitable for single or double doors.

Two versions are available:

- With projecting arms for fixing to the 'Push' side of the door
- Using a slide track mounted on the door for fixing to the 'Pull' side of the door

Testing & Certification

Fire tested to EN1634 on timber doors to achieve a 1 hour fire rating

Full Declaration of Performance available from our website at:

www.britondops.co.uk



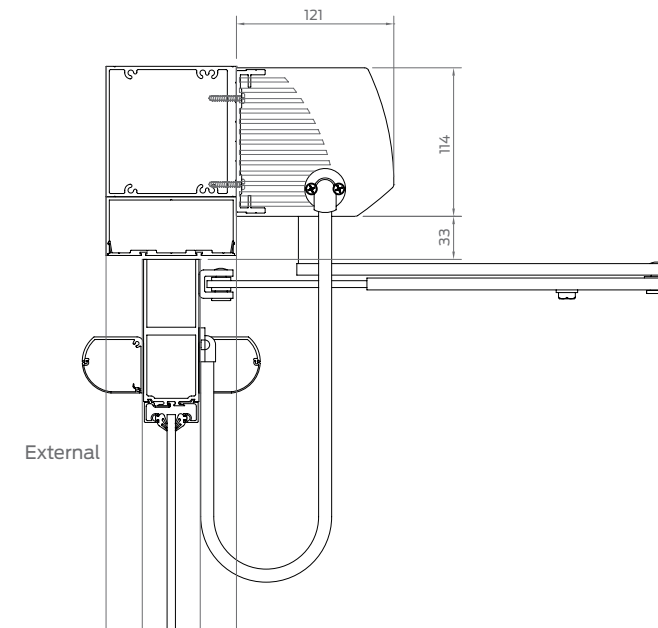
What's in the box?

- Operator Body
- Body Cover and End Caps
- Armset and Brackets/Slide Channel
- Fixing Pack
- Installation Instructions

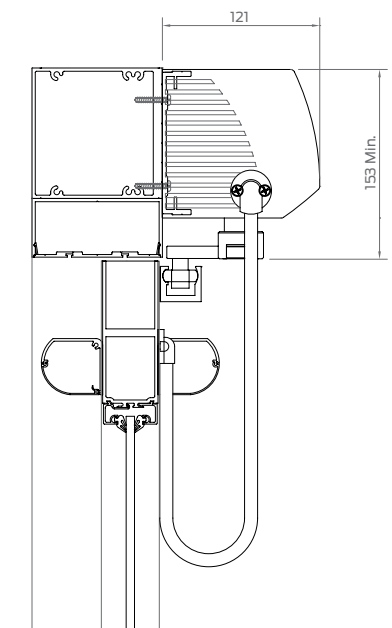
2500 Series - Quick Selector

Product features	Product references	
	2550.C	2550.T.C
CE marked	■	■
Mounted on Pull side of door (with track arm)		■
Mounted on Push side of door (with projecting arms)	■	
Maximum / Min. door width *	1200 / 660mm	1200 / 760mm
Maximum leaf weight	80 kg	80 kg
Adjustable opening & closing speed	■	■
Adjustable delayed closing	1 - 30 seconds	1 - 30 seconds
Power requirements	240V ac ± 10%	
Dimensions	Operator 112 x 121 x 710mm	
Guarantee period	1 year	

■ Feature as standard



Unit with armset for 'Outward Opening' doors



Unit with slide track for 'Inward Opening' doors

all dimensions are in mm

Product Ref:	Description	Finishes
2550.C.SA	Power assisted door operator - with projecting arm for mounting on the push side of the door	SE
2550.T.C.SA	Power assisted door operator - with slide track and arm for mounting on the pull side of the door	SE

Accessories

A selection of accessories is available for use with the Briton operator including rubber finger protection and activation buttons. The addition of safety features such as the Allegion Fingersafe ensures compliance with current safety regulations on swing doors. Not suitable for external doors.



Product Ref:	Accessories & Parts	Finishes
2550.CB	Control box	N/A
2550.FG	Rubber finger guard protection	N/A
2550.FPA.ZP	Fixing pack (Arm only) push	SE
2550.MS.B.BL	Bi-directional motion sensor - black	BM
2550.PA.O.SS	Narrow manual activation button - Push to Open - stainless steel	SS
2550.PP.L.PTO	Push pad activation button - Push to Open - stainless steel	SS
2550.PP.S.PTO	Push pad activation button - Slim - Push to Open - stainless steel	SS

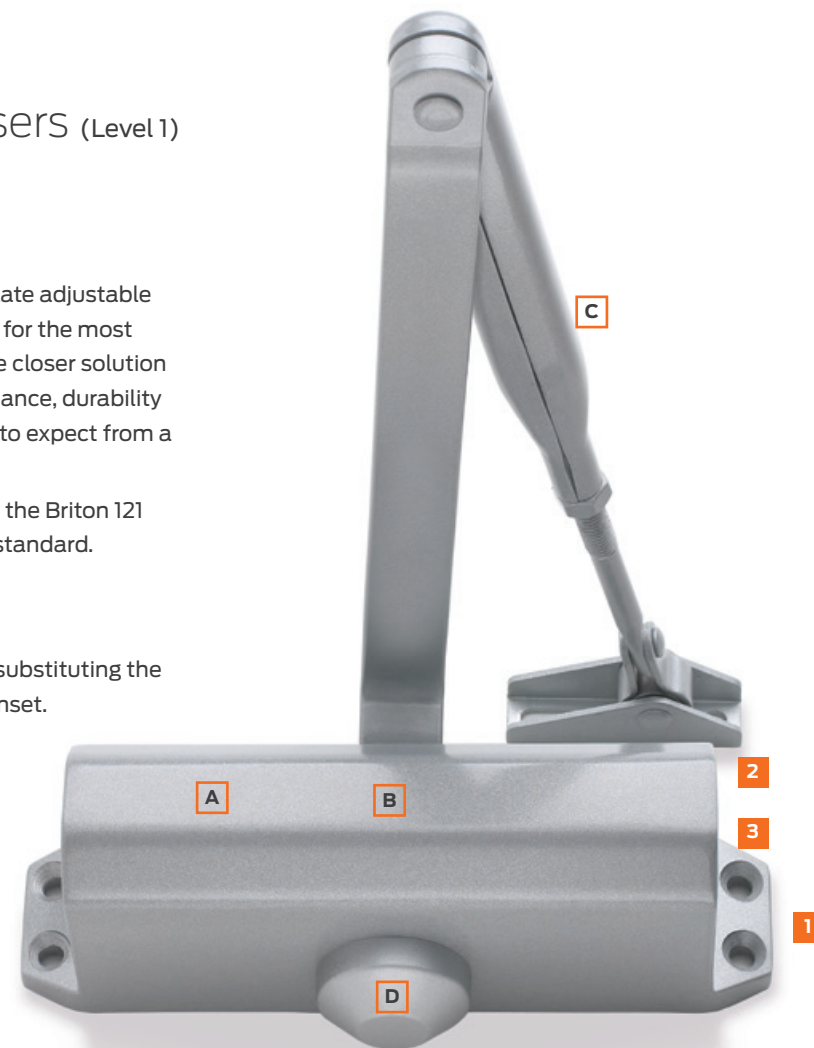
121 - Light Duty Closers (Level 1)

The Briton 121 offers a compact, template adjustable or fixed power closer which is suitable for the most common door sizes. This cost effective closer solution exhibits the characteristics of performance, durability and quality that specifiers have come to expect from a Briton door control.

With simple, no nonsense installation, the Briton 121 comes with a screwthread armset as standard.

Mechanical hold-open unit

Mechanical hold-open is achieved by substituting the standard armset with a hold-open armset.



Adjustments: **1** - Template adjustable size 2-4 (Briton 121 only); **2** - Closing speed; **3** - Latch action

Principal Features & Benefits

- A Pressure die cast aluminium body with sprayed paint finish with matching armset.
- B Hardened and ground steel rack and pinion mechanism for smooth efficient operation.
- C Screw thread armset manufactured from forged steel for additional strength and durability.
- D Non handed design provides 180° opening / controlled closing.
- E Optional arm bracket for parallel mounting application
- F Optional hold-open armset (Not suitable for use on fire door applications)
- G Available in 4 paint finishes

Fire Door Applications

Briton 121.SES is not suitable for use on fire doors. Please specify the Briton 121CE for fire door applications. Please note, the hold-open armset must not be used on fire door applications.

121 - Quick Selector

Product features		Product ref:	
EN Closer size	max. door size [width - weight]	121	121CE
1	750mm - 20kg		
2	850mm - 40kg	■	
3	950mm - 60kg	■	■
4	1100mm - 80kg	■	
5	1250mm - 100kg		
6	1400mm - 120kg		
CE marked			■
Template adjustable EN size		2 - 4	
Fixed closing power EN size			3
Maximum angle of opening (controlled closing)		180°	180°
Adjustable closing speed & latch action		■	■
Adjustable backcheck			
Standard armset for regular and transom mounting		■	■
Armset and bracket for parallel mounting		□	□
Mechanical hold-open facility*		□	□
Cover variants available		No	No
Guarantee period		10yrs	10yrs
CE Classification		4 8 3 1 1 3	

■ Feature as standard □ Available as an option

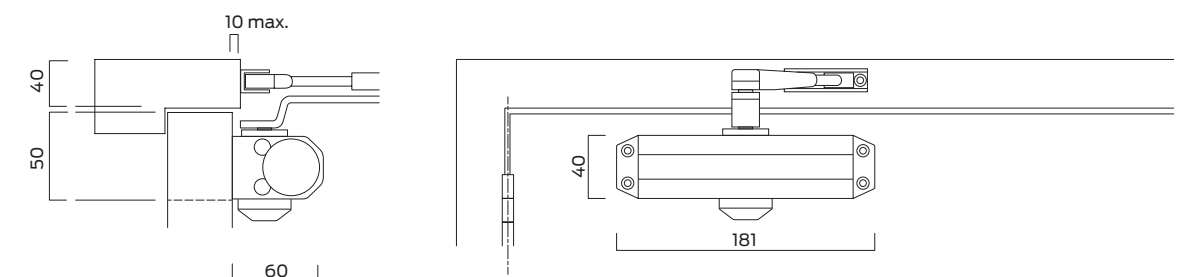
Testing & Certification (applies to 121CE model only)

CE marked to EN1154 - AD0248
 Fire tested to EN1634 on timber doors to achieve a 2 hour fire rating
 Certifire Approved CF390
 Full Declaration of Performance available from our website at:
www.britondops.co.uk



What's in the box?

- Closer Body
- Tri-Pack Armset and Brackets
- Fixing Pack
- Installation Instructions



Product Ref:	Description	Mounting Option	Finishes
121	Template adjustable closer EN 2-4	Regular and Transom mount	BES; GES;
121CE	Fixed power closer EN 3	Regular and Transom mount	SES; WHS;
121.APH	Hold-open arm pack for Briton 121 only	Regular, Transom & Parallel	

131 - Light Duty Closers (Level 1)

The Briton 131 offers a compact, template adjustable power closer which is suitable for the most common door sizes.

With simple, no nonsense installation, the Briton 131 comes with screwthread armset and brackets certified for regular or parallel mounted applications.

The Briton 131 can be retrofitted to two size 3 positions.

Mechanical hold-open unit

Mechanical hold-open is achieved by substituting the standard armset with a hold-open armset.



Principal Features & Benefits

- A Cast aluminium body with sprayed paint finish with matching armset.
- B Steel screw thread armset provides simple installation and adjustment
- C Non handed design provides 180° opening / controlled closing (see table opposite).
- D Optional arm bracket for parallel mounting application
- E Pinion cover cap
- F Optional hold-open armset (Not suitable for use on fire door applications)
- G Available in sprayed silver and other RAL colours to special order

Adjustments

- 1 **Template adjustable power**
Adjustable for 2 - 4 (refer to table opposite)
- 2 **Adjustable closing speed**
Adjustable from 180° opening (mounting dependant) through to the final 15°
- 3 **Adjustable latch action**
The speed of closing in the last 15° to overcome seals and latches

131 - Quick Selector

Product features		Product ref:
EN Closer size	max. door size [width - weight]	131
1	750mm - 20kg	
2	850mm - 40kg	■
3	950mm - 60kg	■
4	1100mm - 80kg	■
5	1250mm - 100kg	
6	1400mm - 120kg	
CE marked (see table below)		■
Adjustable closing speed & latch action		■
Standard armset for regular and transom mounting		■
Armset and bracket for parallel mounting		□
Mechanical hold-open facility		□
Cover variants available		No
Guarantee period		10yrs

■ Feature as standard □ Available as an option

Mounting	Power size	Max. door opening	EN Classification
Regular mount Fig.1	2	180°	3 8 2-4 1 1 3
	3	180°	
Parallel mount Fig.66	4	105°	3 8 3 1 1 3
	3	160°	
Transom mount	2	180°	Not CE marked
	3	180°	
	4	105°	

Testing & Certification

CE marked to EN1154 - AD5311

Fire tested to EN1634 on timber doors to achieve a 2 hour fire rating, and 4 hours for metal doors.

Certifire Approved CF5512

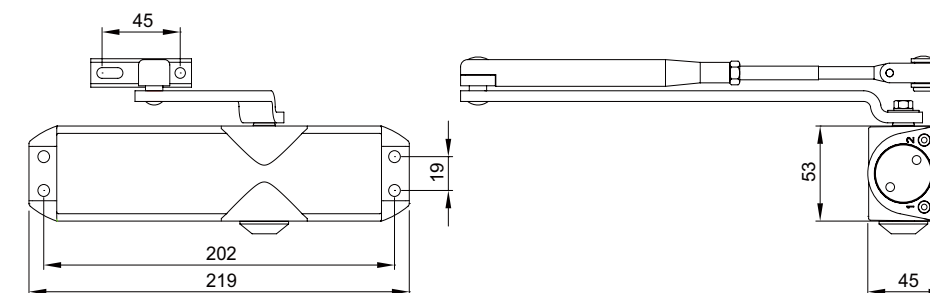
Full Declaration of Performance available from our website at:

www.britondops.co.uk



What's in the box?

- Closer Body
- Tri-Pack Armset and Brackets
- Fixing Pack
- Installation Instructions



Product Ref.	Description	Mounting Option	Finishes
131.SES	Template adjustable closer EN 2-4	Regular and Transom mount	SES; RAL colours to order
131.APH.SE	Hold open arm pack for Briton 131	Regular and Transom mount	RAL colours to order

Door Closers – A Guide to Finishes

Allegion door closers are available in a selection of powder coated, polished or plated metal finishes. Where different materials are used in manufacture they may have a plated finish to match the specified finish (e.g a product with a satin stainless steel finish may include one or more components with a satin nickel plated finish to produce a close match).



Metallic Finishes

- .SE Powder coated metallic silver
- .BE Powder coated metallic brown
- .GE Powder coated metallic gold
- .WH Powder coated white

- .SS Satin stainless steel
- .PS Polished stainless steel
- .PB Polished brass

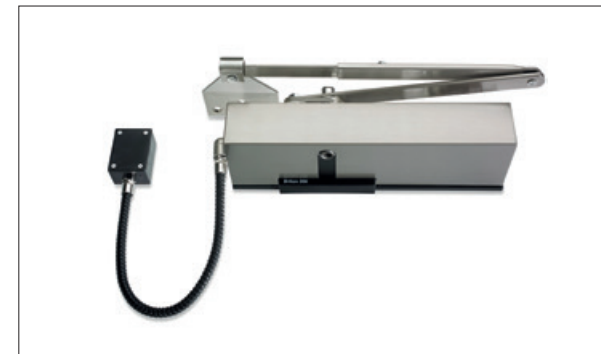


Finishes from top row (left to right):
 SES & BES
 GES & WHS
 SSS & PSS
 PBS
 (illustrated on Briton 2720 with Slimline cover)

Matching armsets

All finishes have a 2 digit code - e.g. SE, PS etc. In most cases, closer bodies and armsets are supplied with the same finish and the finish code has an additional suffix 'S' - e.g. SES, PSS etc.

Closers which are not supplied with a matching armset have a black powder coated armset. This applies only to the Briton 996 Series.



Briton 9963/66.SSS



Briton 9963.SE

Coloured finishes

Closers are also available in a range of powder coated solid colours which are designed to match closely to the solid nylon colours of our Normbau range of hardware.

We have NCS and closest RAL references for each colour if required.

Normbau colours



Please note, these colours are shown for general identification purposes only. Due to printing limitations we recommend you check colours against Normbau colour samples available on request.

500 Series - Electromagnetic Door Holders

When used in conjunction with a suitable door closing device, fire alarm and detection system, the Briton electromagnetic hold open devices permit fire doors to be held open during normal operation. In the event of a fire or smoke detection, the units are automatically de-activated and the doors will close under the normal action of the door closer.



503

- Contract electromagnetic hold-open unit
- Surface mounted
- White plastic housing
- Built-in release/test button



533

- Specification electromagnetic hold-open unit
- Flush or surface mounted
- Metal housing available in a range of metallic and powder coated finishes
- Built-in release/test button

500 Series - Door Holders & Accessories

A series of accessories is available for use with Briton electromagnetic hold-open devices, including Briton electromagnetic hold-open door closers.



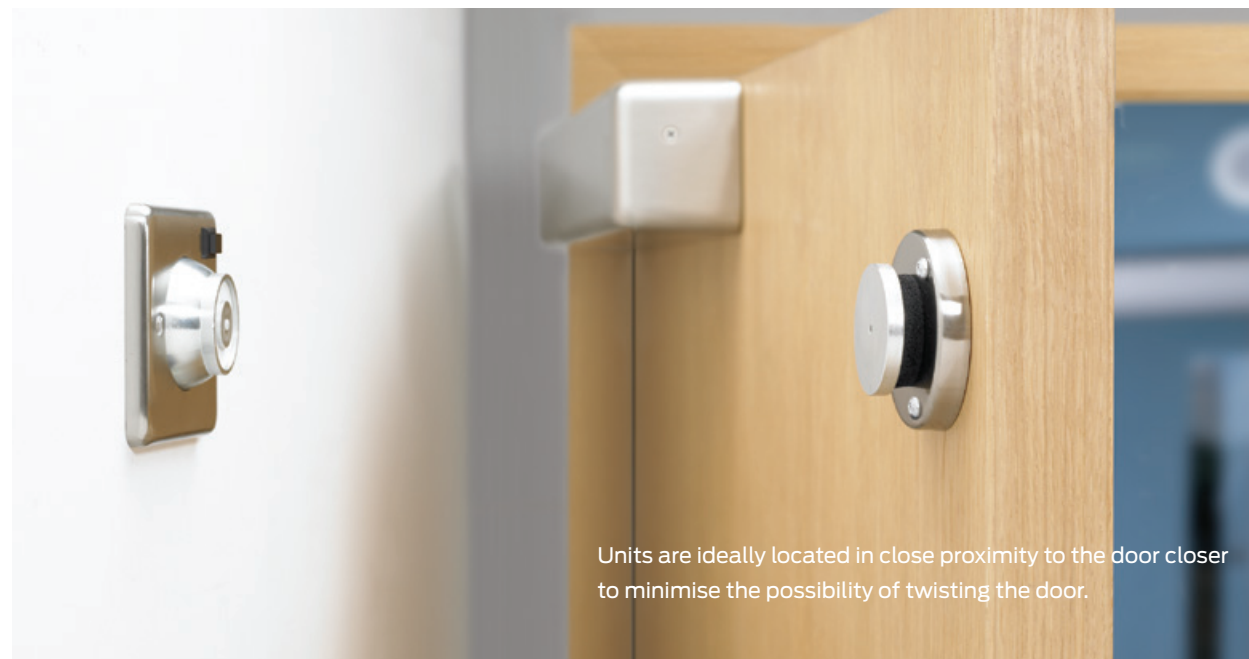
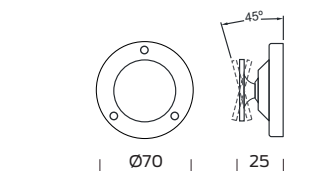
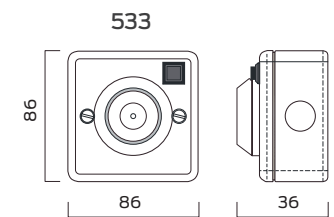
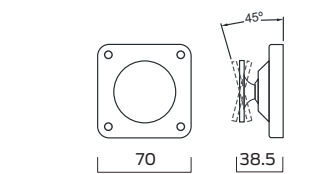
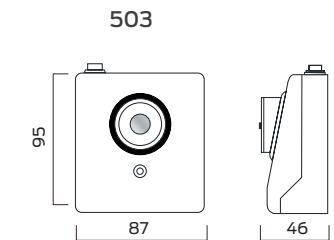
533FMB



533.C

Product Ref:	Description	Finishes
503	Contact wall magnet - surface mounted	WHS
533	Specification wall magnet - c/w flush mount back box	SE; SS

Product Ref:	Accessories	Finishes
533FMB	Floor mounting bracket suitable for 503 & 533 magnets	WHS; SE; SS
533.C	Cover to convert 533 magnet for surface mounting	SE; SS



Units are ideally located in close proximity to the door closer to minimise the possibility of twisting the door.

Testing & Certification

CE marked to EN1155 - AE0009 (Briton 503)
- AE0010 (Briton 533)

Fire tested to EN1634 on timber doors to achieve a 2 hour fire rating.

Full Declaration of Performance available from our website at:

www.britondops.co.uk



What's in the box?

- Wall mounted magnet
- Back box
- Fixing Pack
- Installation Instructions

Comprehensive solutions for commercial and residential applications

The basics of mechanical locking

For most doors, particularly internal doors, a mechanical lockcase represents the most effective and direct means of providing privacy and security for commercial applications, and for all residential applications.

Mechanical locks fall into three principal categories:

- Mortice cylinder locks & latches
- Mortice lever locks & latches
- Rim/surface mounted locks & latches

Cylinder lockcases

The use of cylinder lockcases in commercial applications is widespread, offering the following:

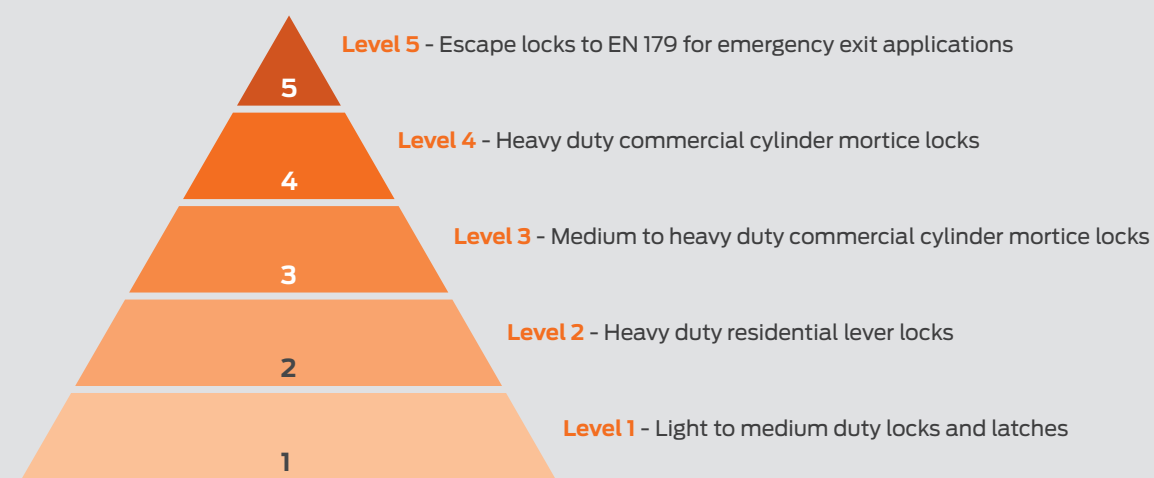
- Modular dimensions across a range of functions allows factory preparation of doors & frames
- Simple replacement of the cylinder if keys are lost or stolen
- Cylinders available with various functions to fine tune the operation of the lock
- Cylinders enable sophisticated multi-level masterkeying for access control

Residential lockcases

Lever locks & latches and rim mounted locks & latches are predominantly used in residential applications on external and internal doors. In the case of BS 5 lever locks, they represent a relatively high level of security but without the flexibility of operation offered by a cylinder lock. For internal doors they offer a level of security to deter opportunist thieves and a reasonable degree of privacy suitable for domestic use.

Performance levels

Our multi-level approach to mechanical locking ensures there is a solution for all projects, applications and budgets.



Escape functions

Where locks are incorporated in doors which are on an escape route in an office suite for example, lock cases should be certified to EN 179 for emergency exit use in addition to EN 12209 (as they have to be tested to both standards).

Escape function locks are designed so that they can be operated by a single action on the lever, in the direction of the escape route, which will withdraw the latchbolt and the deadbolt simultaneously to give immediate escape.

Escape locks are certified for use with specific lever furniture which has been assessed as suitable for use in an emergency application. The furniture is supplied with special split spindles which allow the internal and external handles to operate independently.

CE Mark explained
Mechanical locks and latches intended for use on fire/smoke control doors are covered by the harmonised standard EN 12209 which sets out the requirements for testing and classifying locks suitable for CE marking in accordance with the Construction Products Regulation. We recommend the use of a CE marked lockcase is the best way of ensuring the product you are using is fit for purpose and meets all legal requirements, particularly when used on fire doors.

Locks on escape routes

Locks fitted to doors which are on a defined emergency escape route must also be tested in accordance with EN 179 and CE marked. The 9 digit code produced by assessment and testing defines the type of operation and the performance of each lock.

For more information on EN 179 please refer to page 152.

The Equalities Act - disability legislation

Legislation aimed at providing universal accessibility of buildings requires service providers to make "reasonable adjustments to the physical features of their premises to overcome barriers to access".

To meet obligations under the Equalities Act, Approved Document M (ADM) of The Building Regulations and BS 8300 the following guidance relating to lock and latch cases is provided:

- The minimum distance from the door edge to the centre of the keyway (backset) – BS 8300 states a minimum of 54mm
- The distance between the handle follower and the centre of the keyway (lock centres) – BS 8300 states a minimum of 72mm
- 'Lever handles should be used wherever possible in conjunction with an upright mortice lock/latch' (BS 8300)

Lockcases which comply with the recommendations for accessibility can be identified with this symbol.



Kitemark

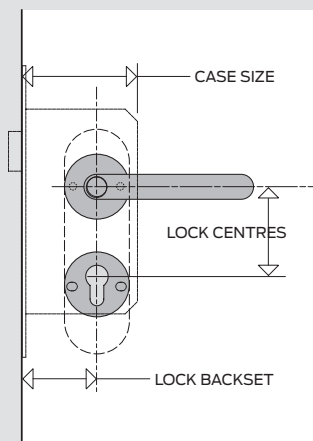
BS 3621:1980
Licence KM6662

BS3621 remains the most popular standard for domestic lockcases and has been adopted by most insurance companies as the benchmark for security. Locks tested and approved to the standard may carry the famous kitemark to attest that the lockcase has successfully undergone tests against the most common forms of attack such as drilling.

Our Recommendation

For commercial buildings we recommend the use of European style lockcases which have 72mm centres and a minimum of 60mm backset in line with the guidance of BS 8300. The Briton 5600, 5500 and 5400 Series euro profile cylinder mortice lockcases have been designed specifically to meet the requirements of the European standard EN 12209 and are CE marked where appropriate. Look out for locks with the CE symbol.

For residential applications, we recommend the use of BS 5 lever lockcases for all external doors.



Replacing an Existing Lockcase

If you are replacing an existing mortice lockcase you can find out the size you require by:

- Simply measuring from the centre of the keyhole to the forend of the lock. - this gives you the backset measurement..
- Measure the distance from the cylinder aperture to the lever follower - this gives you the lock centres measurement.

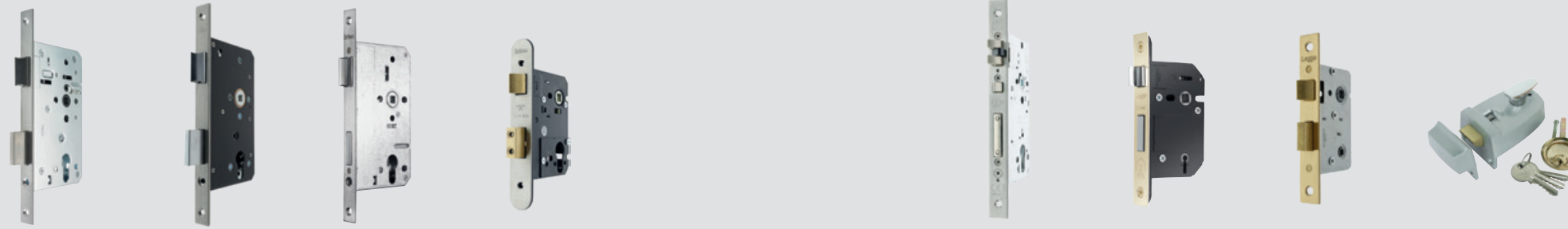
EN 12209 & EN 179

Physical characteristics of type, operation and performance of lockcases is tested/assessed in accordance with EN 12209 (and EN 179 for locks on escape routes). This produces an 11 digit (EN 12209) and 9 digit (EN 179) classification code which allows comparison between different locks that conform to the standard. See examples below.

For guidance on EN 179 please refer to our Emergency Exit Solutions on page 152.

EN 12209	Scope	Grades
3 1-3	Category of use Defines frequency of use	Grade 3 - High frequency of use by public or others with little incentive to take care and with a high chance of misuse - eg. public doors
X A-X	Durability Performance testing of the product through various cycle tests. Durability and load on latchbolt are identified	Grade X - 200,000 test cycles with 120N side load on latch bolt
8 1-9	Door mass & closing force The mass of the door that the product can suitably be used on	Grade 8 - Up to 200kg door mass, 15N max. closing force.
1 1	Fire resistance Suitability for use on fire/smoke door assemblies having successfully completed a fire test to EN 1634.	Grade 1 - Suitable for use on fire/smoke resisting assemblies subject to satisfactory fire testing or assessment
0 0	Safety Safety category for the product type	Grade 0 - No safety requirement
G 0-G	Corrosion resistance Level of corrosion resistance to EN 1670 Neutral Salt Spray test and operation of the product at extreme temperatures	Grade F - High resistance -20°C to +80°C Grade G - Very high resistance 240 hours salt spray at -20°C to +80°C
4 1-7	Security Security and drill resistance levels are identified	Grade 4 - High security with no drill resistance
B A-T	Field of door application Defines the application the product is suitable for	Category A - Mortice type with unrestricted application Category B - Hinged doors in a mortice application without forend support
A 0-H	Type of key operation Defines the type of key operation and locking type	Grade 0 - Not applicable Grade A - Cylinder lock or latch, manual locking
2 0-4	Type of spindle operation Method of operation and compatible door furniture	Type 2 - Lock or latch for unsprung lever handle operation
0 0	Key identification requirement Number of detaining elements and effective differs	Category 0 - No requirement for key identification

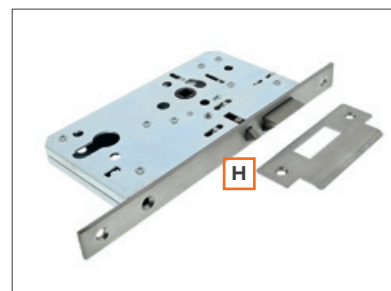
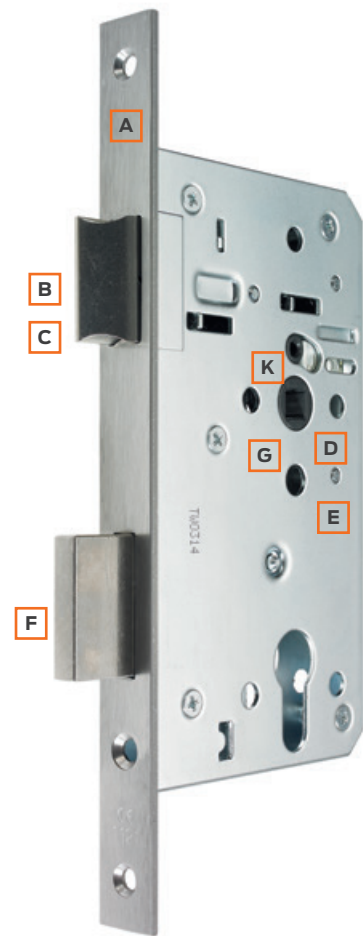
Lockcases - Overview & Selector



Feature	Briton 5600 Series	Briton 5500 Series	Briton 5400 Series	Briton 5200 Series	CISA HD Series	Legge BS Series	Legge Locks & Latches	Legge Rim Locks	Feature
LOCK TYPE	Mortice cylinder lockcases	Mortice cylinder lockcases	Mortice cylinder lockcases	Mortice cylinder lockcases	Mortice cylinder lockcases	Mortice lever lockcases	Mortice locks and latches	Rim locks and latches	LOCK TYPE
Performance Level	Level 5 & 4	Level 5 & 4	Level 4	Level 3	Level 5 & 4	Level 2	Level 1	Level 1	Performance Level
Lockcase mounting	Mortice	Mortice	Mortice	Mortice	Mortice	Mortice	Mortice	Rim/Surface	Lockcase mounting
Dimensional co-ordination to DIN18251	■	■	■		■				Dimensional co-ordination to DIN18251
CE marked	■	■	■		■				CE marked
Fully tested to EN12209	■	■	■		■				Fully compliant with EN12209
Fully tested to EN179	■	■			■				Fully compliant with EN179
Kitemarked to BS3621						■			Kitemarked to BS3621
Single throw deadbolt action	■	■		■	■	■			Single throw bolt action
Double throw deadbolt action			■						Double throw bolt action
Fire tested to EN1634 for timber doors	90 mins	2 hours	2 hours	90 mins		90 mins			Fire tested to EN1634 for timber doors
Fire tested to EN1634 for metal doors	4 hours	4 hours	4 hours	4 hours		4 hours			Fire tested to EN1634 for steel doors
Fire tested UL LISTED R 14945(N)					60 mins				Fire tested UL LISTED R 14945(N)
Certifire approved		■	■						Certifire approved
Guarantee	10 years	10 years	5 years	5 years	5 years	10 years	5 years	1 year	Guarantee
Locking Functions									
Locking function by:	Euro Cylinder	Euro Cylinder	Euro Cylinder	Euro or Oval Cylinder	Euro Cylinder	Lever Key	Lever Key	Lever Key or Rim Cylinder	Locking function by:
Deadlock		■	■	■	■	■	■		Deadlock
Sashlock		■	■	■	■	■	■	■	Sashlock
Bathroom lock		■	■	■	■		■	■	Bathroom lock
Bathroom deadbolt		■					■		Bathroom deadbolt
Latch		■	■	■	■		■	■	Latch
Nightlatch with hold-back		■		■			■	■	Nightlatch with hold-back
Nightlatch without hold-back		■		■	■		■		Nightlatch without hold-back
Nightlatch with anti-thrust	■			■					Nightlatch with anti-thrust
Escape sashlock - non split follower		■			■				Escape sashlock - non split follower
Escape sashlock - split follower function	■				■				Escape sashlock - split follower function

■ Standard feature

5600 Series - Euro Profile Mortice Lockcases (Level 5-4)



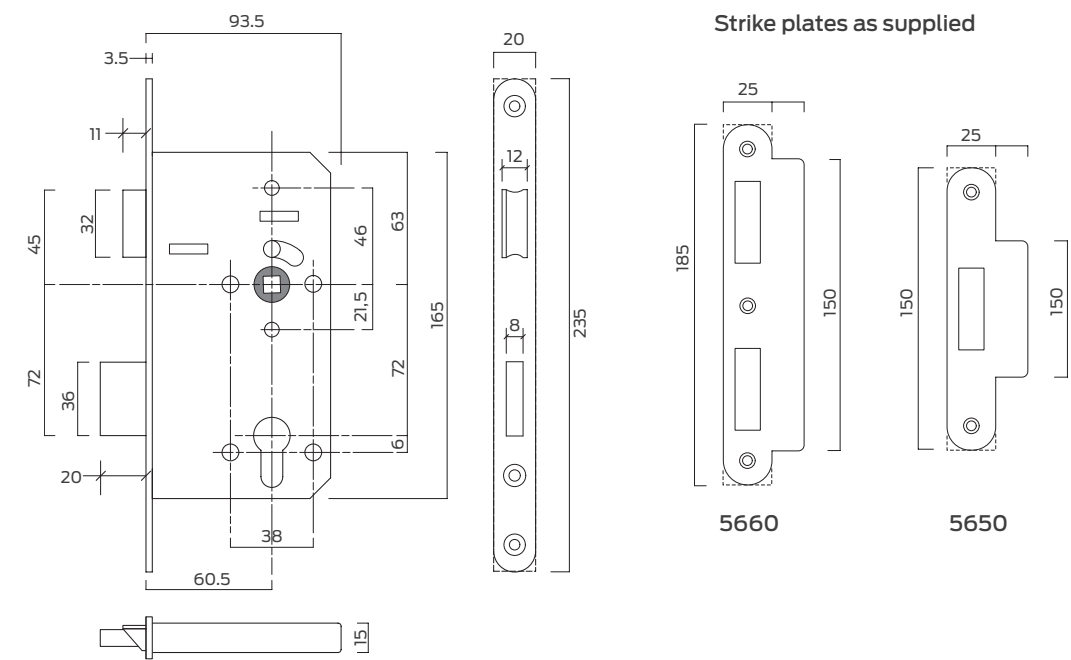
Nightlatch - 5650.R & 5650.S

- Nightlatch operated by a half set of levers to retract the latchbolt from inside.
- Single cylinder on the outside operates the latchbolt with a single key turn.
- Latchbolt is automatically locked by the anti-thrust latch.



Escape Lock - 5660.R & 5660.S

- Escape lock with split follower
- Latchbolt withdrawn by lever from both sides.
- Split follower function enables deadbolt & latchbolt to be withdrawn simultaneously by inside lever handle.
- Easily reversible escape mechanism.



all dimensions are in mm

Product Ref:	Function/description	CE Classification
5650.R	Nightlatch function operated by a half set of levers and single cylinder. Radiused forend	3X810F1BB20
5650.S	Nightlatch function operated by a half set of levers and single cylinder. Square forend	
5660.R	Escape lock with split follower function. Radiused forend	3X810F3BA20 (EN 12209)
5660.S	Escape lock with split follower function. Square forend	376B1442AB/D (EN179)
Add suffix .R or .S to product code for Radiused or Square forend and strike plate		
5500IP	Intumescent pack suitable for all 5600 Series lockcases	

The Briton 5600 Series is a high quality, euro profile mortice lockcase offering Nightlatch and Escape Sashlock functions.

The range is dimensionally compatible with the Briton 5500 and 5400 Series.

Performance Level 5 & 4.

Features & Benefits

- A Grade 316 stainless steel single piece forend
- B Quick reversible latch without the need to dismantle the lockcase
- C Stainless steel profile latch provides a smooth, quiet operation
- D Sintered steel 8mm follower with 30° rotation
- E Follower springing suitable for unsprung lever furniture and high frequency applications.
- F Stainless steel deadbolt with 20mm throw on a single turn of the cylinder
- G Bolt through fixing holes to DIN 18251 at 38mm centres making the lock compatible with most European hardware ranges
- H Nightlatch has anti-thrust latch to prevent forced latch retraction when the door is closed.
- J Escape mechanism of 5660 escape sashlock can be easily reversed on site to suit all handing options.
- K 5660 escape lock has split follower function

Options

Radiused and square forends are available. Add suffix .R or .S to the product code.
Supplied with matching strike plate.

Finishes

Satin stainless steel.

Accessories

A full range of box strikes and full length strike plates is available. Refer to page 92 for details.

Testing & Certification

CE marked to EN 12209
Escape lock approved to EN 179 for emergency exit doors
Fire tested to EN 1634 on timber doors to achieve a 90 minute fire rating, and 4 hour for steel doors.
Please note, when installing this product to a fire resisting timber door the lock must be fitted in conjunction with the intumescent protection to ensure the integrity of the door is maintained in a fire situation.
For EN 179 compliance, the lock must be fitted with compatible lever furniture (Contact Allegion for further details).

96 hour corrosion resistance.
Full Declaration of Performance available from our website at:
www.britondops.co.uk



5500 Series – Euro Profile Mortice Lockcases (Level 5-4)



5520.R



Deadlock - 5510.R & 5510.S

- Euro profile cylinder deadlock.
- For use on doors without lever furniture.
- 22mm single throw deadbolt*.

CE (AG0001)



Sashlock - 5520.R & 5520.S

- Euro profile cylinder sashlock.
- For lockable doors with lever handles to retract latch.
- 22mm single throw deadbolt*.
- Cylinder to latch function will retract the deadbolt and latch.

CE (AG0002)



Bathroom Lock - 5530.R & 5530.S

- Bathroom sashlock.
- For use on bathroom doors and those requiring a privacy function.
- Latch retracted by lever handles
- 10mm throw deadbolt thrown by thumbturn & emergency release (8mm turn follower).

CE (AG0077)

* Deadbolt can be withdrawn from one side or both sides depending on the type of cylinder selected.

The Briton 5500 Series is a high quality, heavy duty euro profile cylinder mortice lockcase offering a comprehensive range of functions.

The range is dimensionally compatible with the Briton 5600 and 5400 Series.

Performance Level 5 & 4.

Features & Benefits

- A Grade 316 stainless steel single piece forend and strike.
- B 60mm backset and 72mm centres [78mm bathroom centres]
- C Quick reversible latch without the need to dismantle the lockcase.
- D Chrome plated steel profile latch provides a smooth, quiet operation
- E Cast follower with phosphor bronze bushes reduces wear of follower during extended use.
- F Follower has 30° rotation.
- G Follower springing suitable for unsprung lever furniture and high frequency applications.
- H Drill resistant heavy duty hardened deadbolt with 22mm throw on a single turn of the cylinder.
- J Bolt through fixing holes to DIN 18251 at 38mm centres making the lock compatible with most European hardware ranges.
- K Sleeved fixing holes assist in bolt location, provide added strength to the lockcase and help prevent mechanical failure due to ingress of foreign objects.

Options

Radiused and square forends are available. Add suffix .R or .S to the product code.

Supplied with matching strike plate

Finishes

Satin stainless steel, polished stainless steel and polished brass.

Testing & Certification

CE marked to EN 12209

CE marked to EN 179 (Briton 5560 escape sashlock only)

Fire tested to EN 1634 on timber doors to achieve a 2 hour fire rating, and 4 hour for steel doors.

Please note, when installing this product to a fire resisting timber door the lock must be fitted in conjunction with the intumescent protection to ensure the integrity of the door is maintained in a fire situation.

96 hour corrosion resistance.

Full Declaration of Performance available from our website at:

www.britondops.co.uk



5500 Series – Euro Profile Mortice Lockcases (Level 5-4)



Bathroom Deadlock - 5535.R & 5535.S

- Bathroom deadlock.
- 10mm throw deadbolt thrown and retracted by thumbturn & emergency release (8mm turn follower).



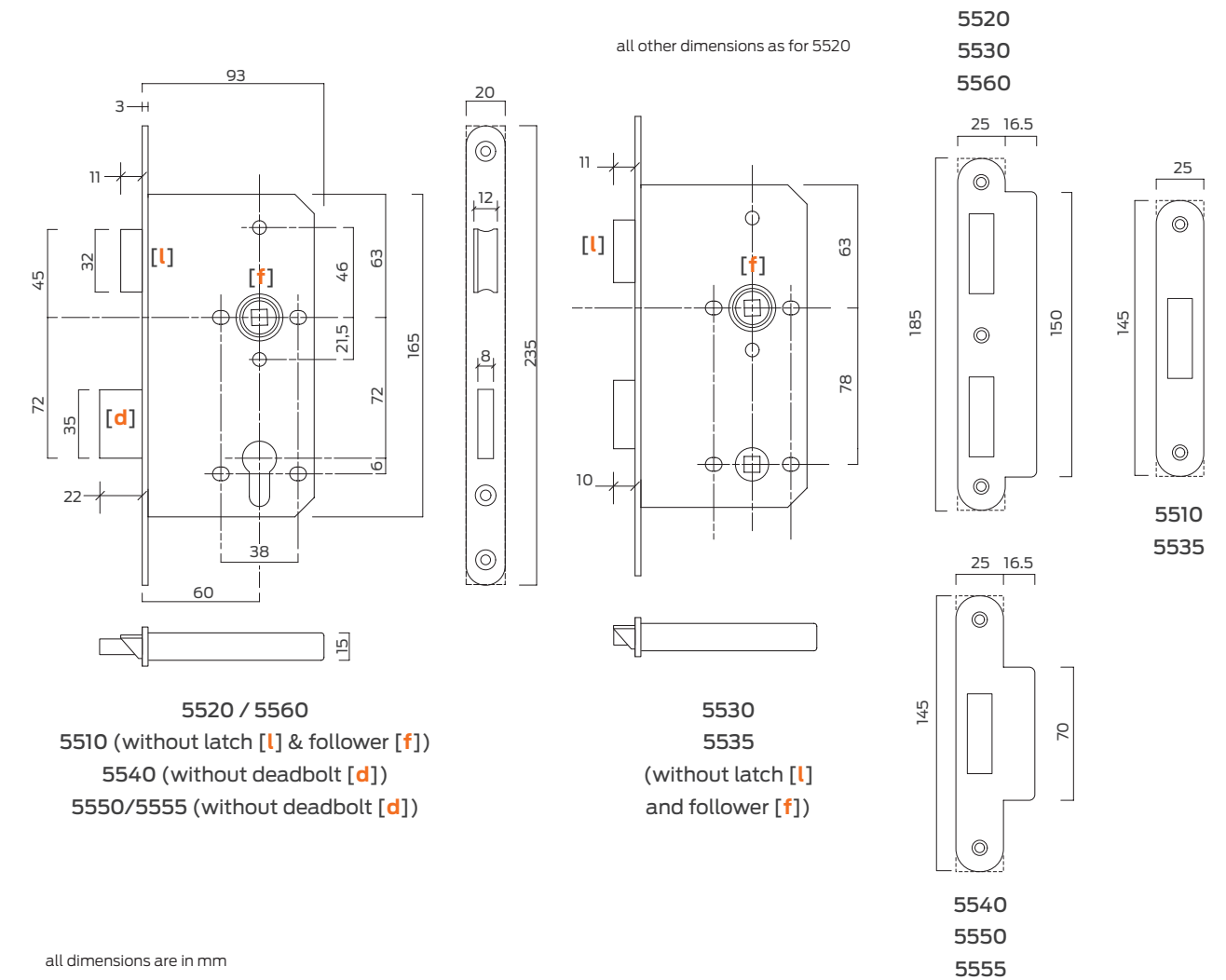
Nightlatch - 5550.R & 5550.S

- Cylinder nightlatch with hold-back function.
- Lever operation from inside to withdraw latchbolt.
- Cylinder operation from outside to withdraw latchbolt. Snib on forend operates hold-back function.



Escape Sashlock - 5560.R & 5560.S

- Escape sashlock to EN179.
- Lever operation of latchbolt
- Cylinder operation of 22mm single throw deadbolt.
- Inside lever withdraws the latchbolt and deadbolt simultaneously for immediate escape.
- Cylinder to latch function withdraws deadbolt on first turn of the key and latchbolt on the second turn.
- This is not a split follower lock and must not be used with a thumbturn cylinder or outside lever handle.



Latch - 5540.R & 5540.S

- Mortice latch.
- Suitable for doors which do not require locking function.
- Lever operation of latchbolt only.



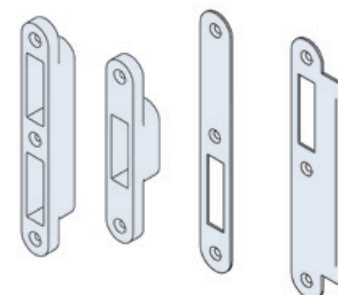
Nightlatch - 5555.R & 5555.S

- Cylinder nightlatch without hold-back function.
- Lever operation from inside to withdraw latchbolt.
- Single key turn by cylinder operation from outside to withdraw latchbolt.



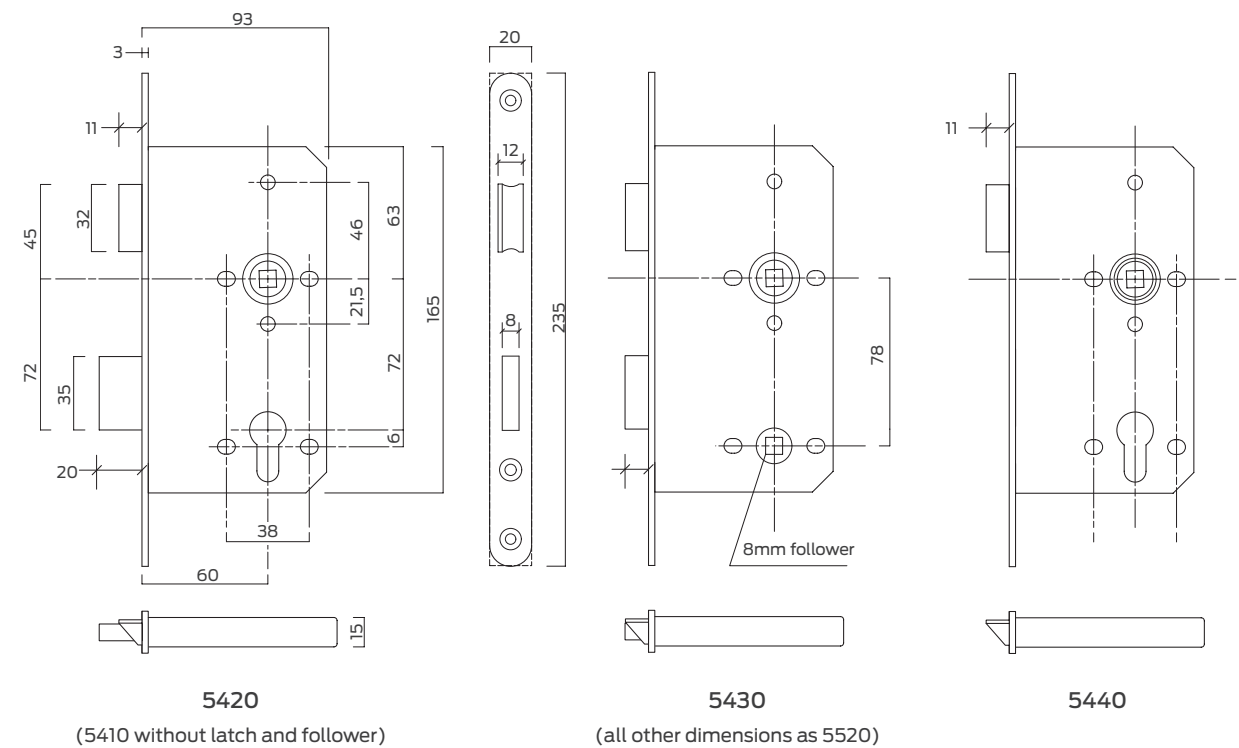
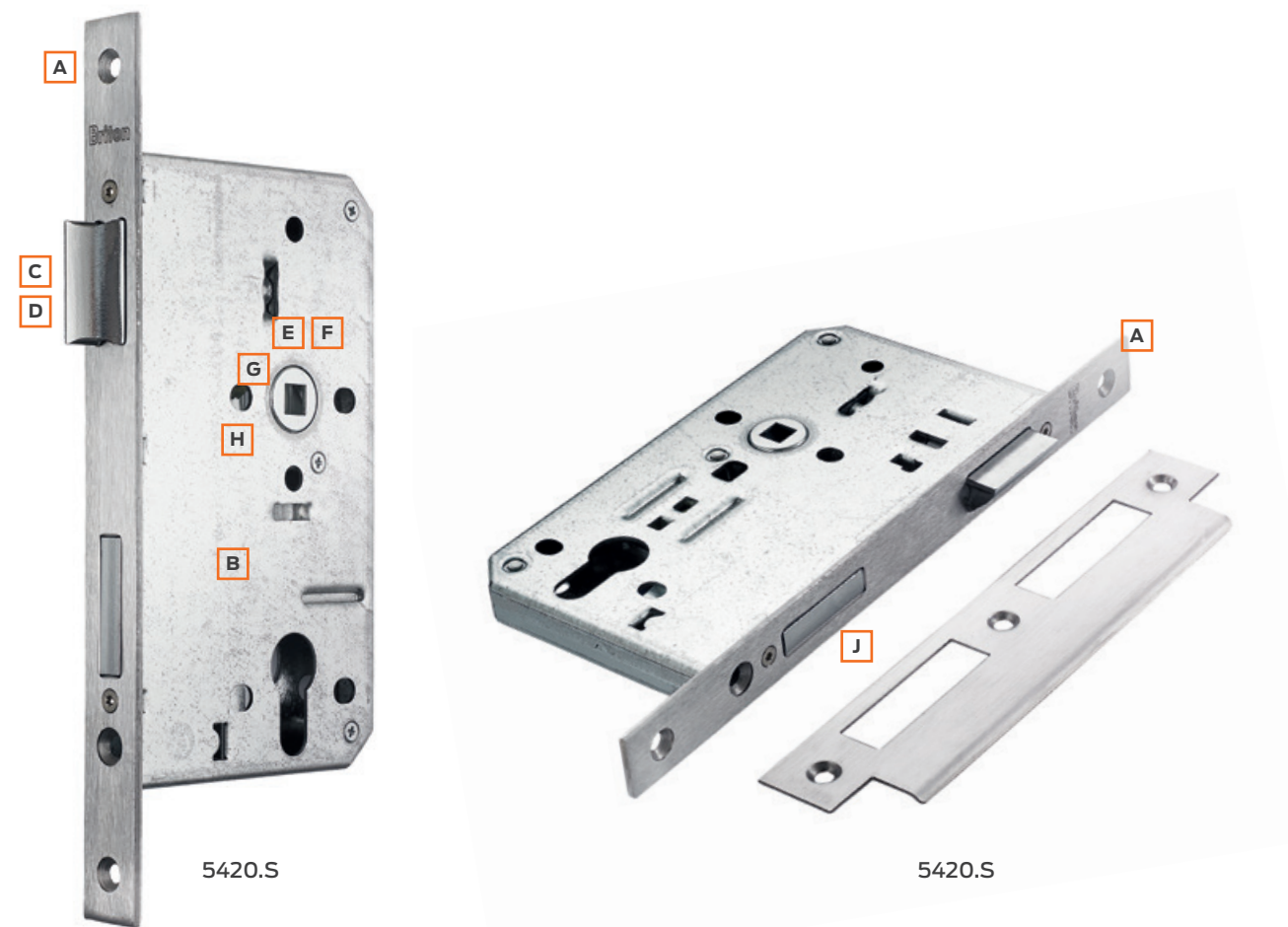
Accessories

A full range of accessories, including box strikes, and full length strike plates is available to replace the standard strike supplied with the lockcase. Please refer to page 92 for further details.



Product Ref:	Function/description	CE Classification
5510	Euro profile cylinder deadlock	3X810G4BA00
5520	Euro profile cylinder sashlock	3X810G4BA20
5530	Bathroom lock - 8mm bathroom turn follower	3X810G-B020
5535	Bathroom deadbolt - 8mm bathroom turn follower	3X810G-B000
5540	Latch	3X810G-B020
5550	Nightlatch - with hold-back function.	not CE marked
5555	Nightlatch - without hold-back function.	3X810G-B020
5560	Escape sashlock (Note: this lock must not be used with an external lever handle or with an internal cylinder thumbturn)	3X810G4BA20 (EN 12209) 376B1442AB/D (EN179)
Add suffix .R or .S to product code for Radiused or Square forend and strike plate		
5500IP	Intumescent pack for use with all 5500 Series lockcases	

5400 Series – Euro Profile Mortice Lockcases (Level 4)



all dimensions are in mm

The Briton 5400 Series is a contract quality, euro profile cylinder mortice lockcase offering the most common range of functions.

The range is dimensionally compatible with the Briton 5500 and 5600 Series.

Performance Level 4.

Features & Benefits

- A Grade A AISI 430 stainless steel single piece forend and strike
- B 60mm backset and 72mm centres [78mm bathroom centres]
- C Quick reversible latch without the need to dismantle the lockcase.
- D Satin nickel plated steel profile latch provides a smooth, quiet operation
- E Smooth action ball bearing follower for 8mm spindle provides smooth lever operation and reduces wear
- F Follower has 25° rotation.
- G Positive follower angle (1°) reduces the effect of wear which can lead to lever droop
- H Follower springing suitable for unsprung lever furniture and high frequency applications.
- J Drill resistant heavy duty hardened deadbolt with 20mm throw on a double turn of the cylinder.
- K Bolt through fixing holes to DIN 18251 at 38mm centres, making the lock compatible with most European hardware ranges.

Options

Radiused and square forends are available. Add suffix .R or .S to the product code.

Supplied with matching strike plate.

Finishes

Satin stainless steel and polished stainless steel.

Testing & Certification

CE marked to EN12209

Fire tested to EN1634 on timber doors to achieve a 2 hour fire rating, and 4 hour for steel doors.

Please note, when installing this product to a fire resisting timber door the lock must be fitted in conjunction with the intumescent protection to ensure the integrity of the door is maintained in a fire situation.

96 hour corrosion resistance.

Full Declaration of Performance available from our website at:

www.britondops.co.uk



5400 Series – Euro Profile Mortice Lockcases (Level 4)



Deadlock - 5410.R & 5410.S

- Euro profile cylinder deadlock.
- For use on doors without lever furniture.
- 22mm deadbolt is thrown with a double turn of the cylinder*.



Sashlock - 5420.R & 5420.S

- Euro profile cylinder sashlock.
- For lockable doors with lever handles to retract latch.
- 22mm double throw deadbolt*.
- Cylinder to latch function will retract the deadbolt and latch.



Bathroom Lock - 5430.R & 5430.S

- Bathroom sashlock.
- For use on bathroom doors and those requiring a privacy function.
- Latch retracted by lever handles
- 10mm throw deadbolt thrown by thumbturn & emergency release (8mm turn follower).



* Deadbolt can be withdrawn from one side or both sides depending on the type of cylinder selected.

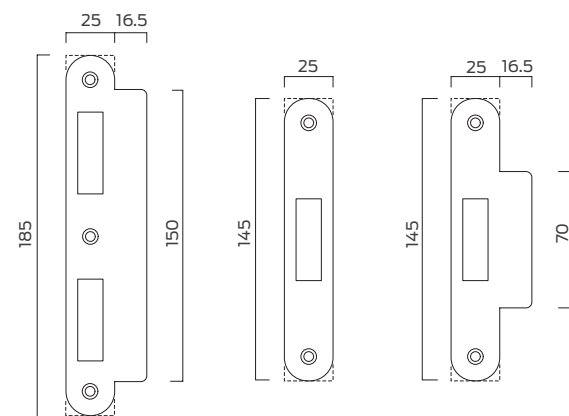


Latch - 5440.R & 5440.S

- Mortice latch.
- Suitable for doors which do not require locking function.
- Lever operation of latchbolt only.



Strike plates supplied as standard (Supplied with black plastic back box)

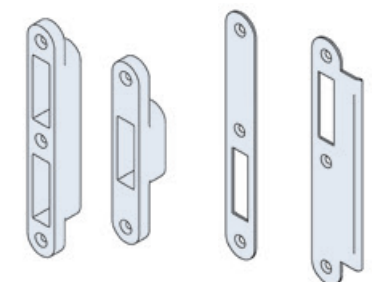


5420 & 5430 5410 5440

all dimensions are in mm

Product Ref:	Function/description	CE Classification
5410	Euro profile cylinder deadlock	3M810F2BC00
5420	Euro profile cylinder sashlock	3M810F2BC20
5430	Bathroom lock - 8mm bathroom turn follower	3M810F-B020
5540	Latch	3M810F-B020
Add suffix .R or .S to product code for Radiused or Square forend and strike plate		
5500IP	Intumescent pack for use with all 5400 Series lockcases	
5400.013	Standard round strike plate for 5410 deadlock	
5400.014	Standard square strike plate for 5410 dealock	
5400.009	Standard round strike plate for 5420 sashlock and 5430 bathroom lock	
5400.010	Standard square strike plate for 5420 sashlock and 5430 bathroom lock	
5400.011	Standard round strike plate for 5440 latch	
5400.012	Standard square strike plate for 5440 latch	

A wide range of accessories to suit 5600, 5500 and 5400 Series lockcases

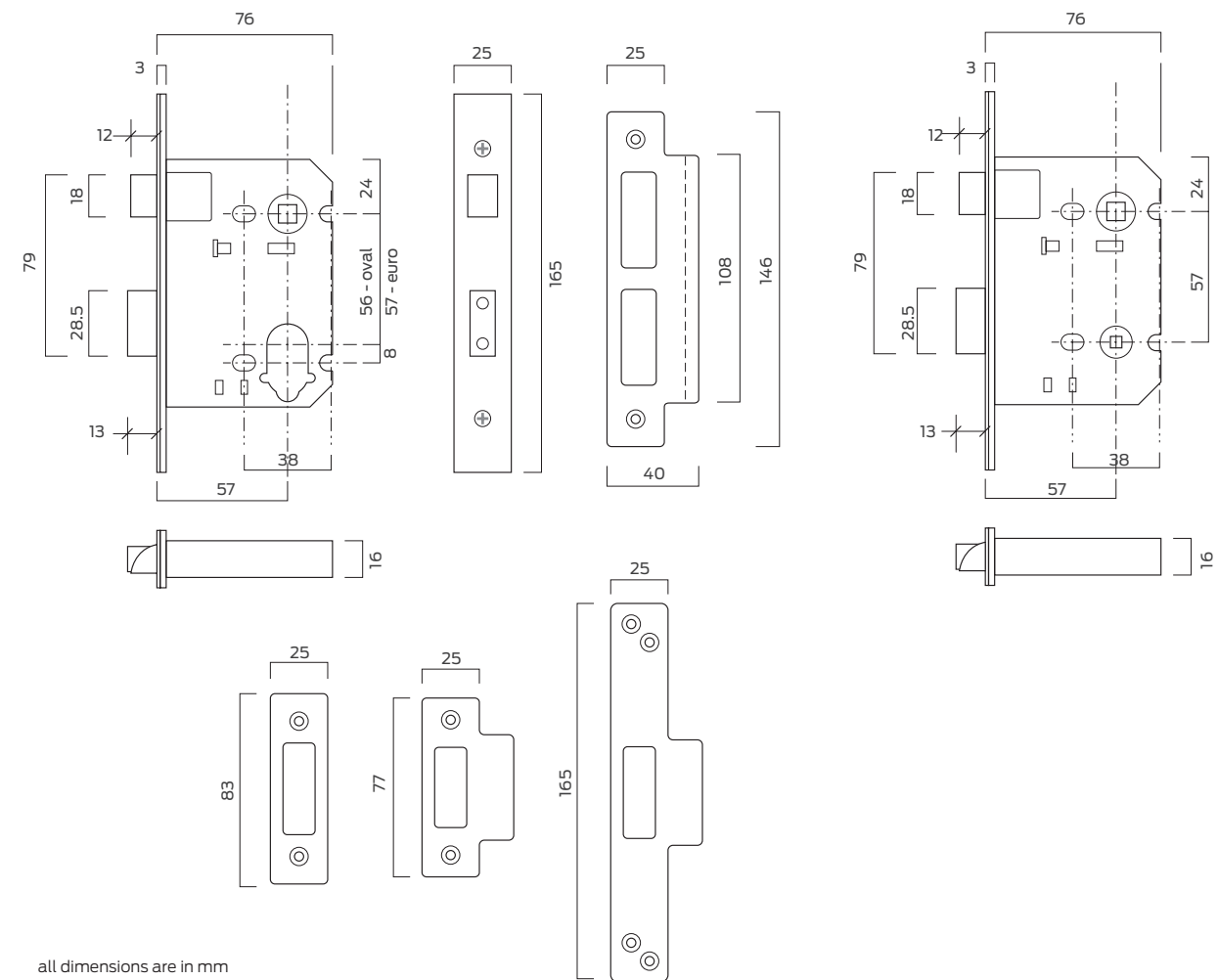
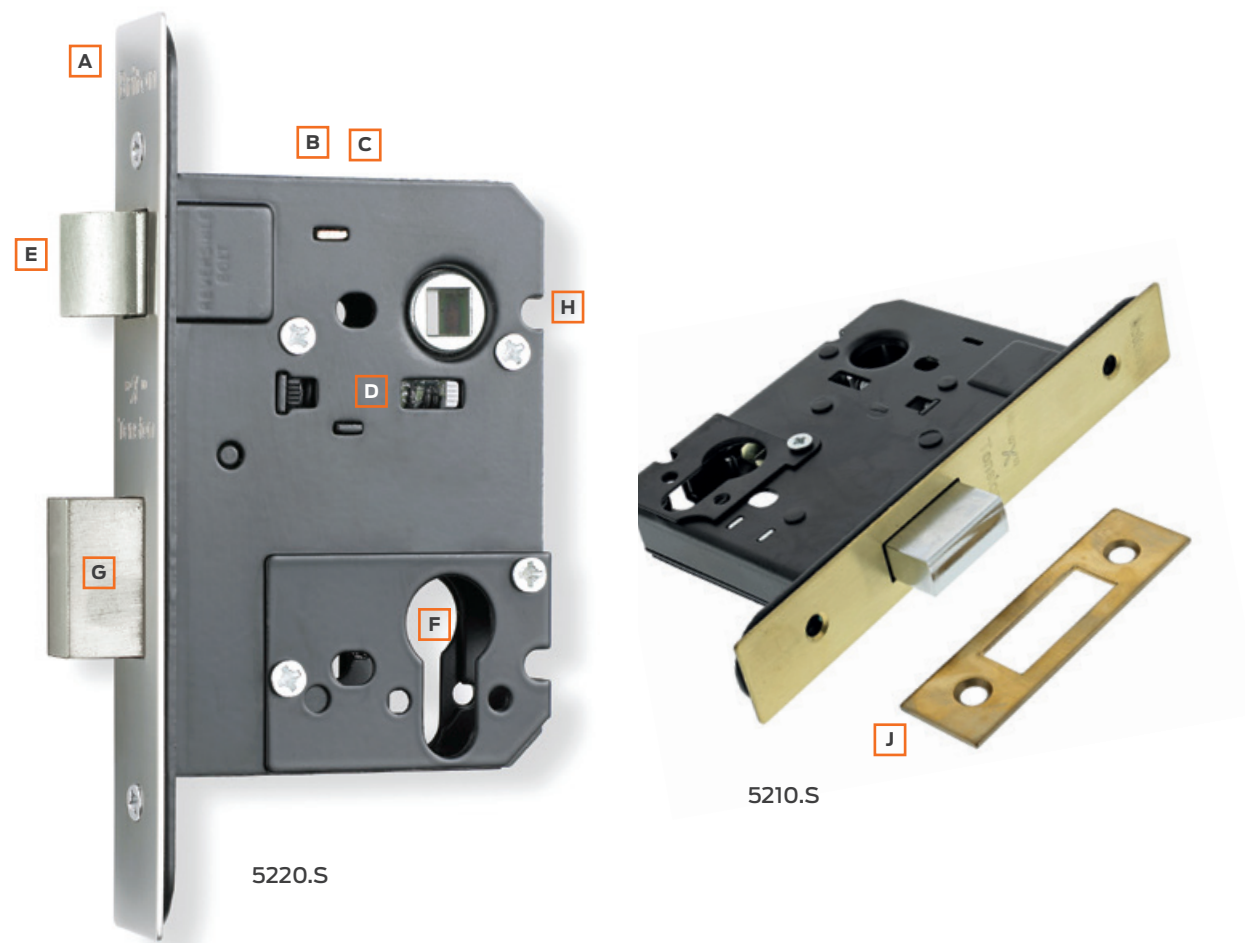


Accessories

A full range of accessories, including box strikes, and full length strike plates is available to replace the standard strike supplied with the lockcase on 5600, 5500 and 5400 Series lockcases.

Product Ref:	Accessory	To Suit Lockcases	Finishes
5000.001	Heavy duty box strike for latch & bolt	5660; 5520; 5530; 5560; 5420; 5430	Black
5000.002	Heavy duty box strike for latch only	5650; 5540; 5550; 5440; 5555	Black
5000.009	Standard radius strike for sashlocks	5520; 5420	SS; PS; PB
5000.010	Standard square strike for sashlocks	5520; 5420	SS; PS; PB
5000.011	Standard radius strike for latches	5540; 5440	SS; PS; PB
5000.012	Standard square strike for latches	5540; 5440	SS; PS; PB
5000.013	Standard radius strike for deadlocks	5510; 5410	SS; PS; PB
5000.014	Standard square strike for deadlocks	5510; 5410	SS; PS; PB
5000.015	Full radius strike for deadlocks	5510; 5410; 5535	SS
5000.016	Full square strike for deadlocks	5510; 5410; 5535	SS
5000.017	Full radius strike for latches - RH	5650; 5540; 5550; 5440	SS
5000.018	Full square strike for latches - RH	5650; 5540; 5550; 5440	SS
5000.019	Full radius strike for latches - LH	5650; 5540; 5550; 5440	SS
5000.020	Full square strike for latches -LH	5650; 5540; 5550; 5440	SS
5000.021	Heavy duty box strike for bolt only	5510; 5410; 5535	Black
5000.022	Heavy duty box strike for sashlocks	5660; 5520; 5560; 5420	Black
5000.023	Heavy duty box strike for deadlocks	5510; 5410; 5535	Black
5000.003	Rebate kit (13mm) for square forend variants	5600 Series, 5500 Series, 5400 Series	SS
5000.005	Rebate kit (13mm) for latches & nightlatches	5600 Series, 5500 Series, 5400 Series	SS
5000.006	Rebate kit (25mm) for bathroom, latches & escape locks	5600 Series, 5500 Series, 5400 Series	SS
5000.007	Rebate kit (13mm) for deadlocks	5600 Series, 5500 Series, 5400 Series	SS

5200 Series - Dual Profile Mortice Lockcases (Level 3)



all dimensions are in mm

The Briton 5200 Series is a contract quality, mortice lockcase range which can be used with euro profile or oval profile cylinders. The Series offers the most common range of lock functions. Performance Level 3.

Features & Benefits

- A Grade 304 stainless steel forend cover plate and strike
- B 57mm backset and 57mm centres
- C Dimensionally co-ordinated across the range of lock functions
- D Unique X-Tension feature allows the follower spring tension to be adjusted to suit the weight of lever furniture and to eliminate lever 'droop'
- E Quick reversible latch without the need to dismantle the lockcase
- F Dual profile can be used with euro profile or oval profile cylinders (by the removal of plates)
- G Single throw deadbolt with hardened steel rotating pins to protect from sawing
- H Suitable for bolt through furniture fixings at 38mm centres
- J Available with square or radius forend and strike

Options

Radiused and square forends are available. Add suffix .R or .S to the product code
Supplied with matching strike plate

Finishes

Satin stainless steel and polished brass.

Testing & Certification

CE marked to EN12209
Fire tested to EN1634 on timber doors to achieve a 90 minute fire rating, and 4 hour for steel doors.
Please note, when installing this product to a fire resisting timber door the lock must be fitted in conjunction with the intumescent protection to ensure the integrity of the door is maintained in a fire situation.
96 hour corrosion resistance.
Full Declaration of Performance available from our website at:
www.britondops.co.uk



5200 Series – Euro Profile Mortice Lockcases (Level 3)



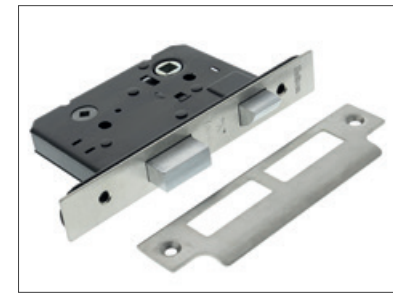
Deadlock - 5210

- Euro profile cylinder deadlock.
- For use on doors without lever furniture.
- 13mm deadbolt is thrown with a single turn of the cylinder*.



Sashlock - 5220

- Euro profile cylinder sashlock.
- For lockable doors with lever handles to retract latch.
- 13mm single throw deadbolt*.



Bathroom Lock - 5230

- Bathroom sashlock.
- For use on bathroom doors and those requiring a privacy function.
- Latch retracted by lever handles
- 13mm throw deadbolt thrown by thumbturn & emergency release (5mm turn follower).

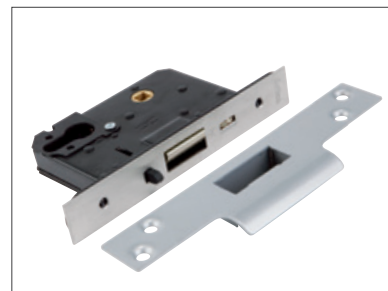


* Deadbolt can be withdrawn from one side or both sides depending on the type of cylinder selected.



Latch - 5240

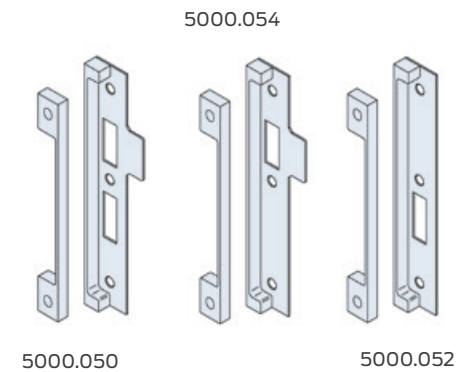
- Mortice latch.
- Suitable for doors which do not require locking function.
- Lever operation of latchbolt only.



Nightlatch - 5250

- Cylinder nightlatch with hold-back function.
- Lever operation from inside to withdraw latchbolt.
- Cylinder operation from outside to withdraw latchbolt. Snib on forend operates hold-back function.
- Available with square forend only.

5200 Series – Rebate Kits



Product Ref:	To Suit Lockcases	Rebate Size	Finishes
5000.050	5220 & 5230	12.5mm	SS
5000.051	5220 & 5230	25mm	SS
5000.052	5240	12.5mm	SS
5000.053	5240	25mm	SS
5000.054	5210	12.5mm	SS
5000.055	5210	25mm	SS
5000.056	5250	12.5mm	SS; PB
5000.057	5250	25mm	SS; PB

Features

- Silver anodised aluminium rebate kits with stainless steel or polished brass strike plate
- Replaces the standard strike plate supplied with the lockcase
- Suits locks with square forend only
- Pack contains 1 off each - aluminium strike packer, aluminium lock packer, stainless steel strike plate, screw pack

Please note: All rebate kits must be ordered separately to suit the lockcase being fitted.

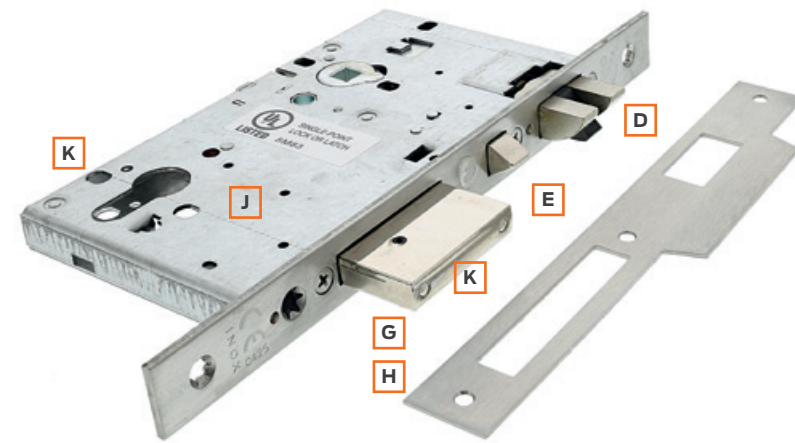
Product Ref:	Function/description	CE Classification
5210	Euro profile cylinder deadlock	3X810F2BA00
5220	Euro profile cylinder sashlock	3X810F2BA20
5230	Bathroom lock - 8mm bathroom turn follower	3X810F-B020
5240	Latch	3X810F-B020
5250	Nightlatch - with hold-back function	not CE marked

Add suffix .R or .S to product code for Radiused or Square forend and strike plate

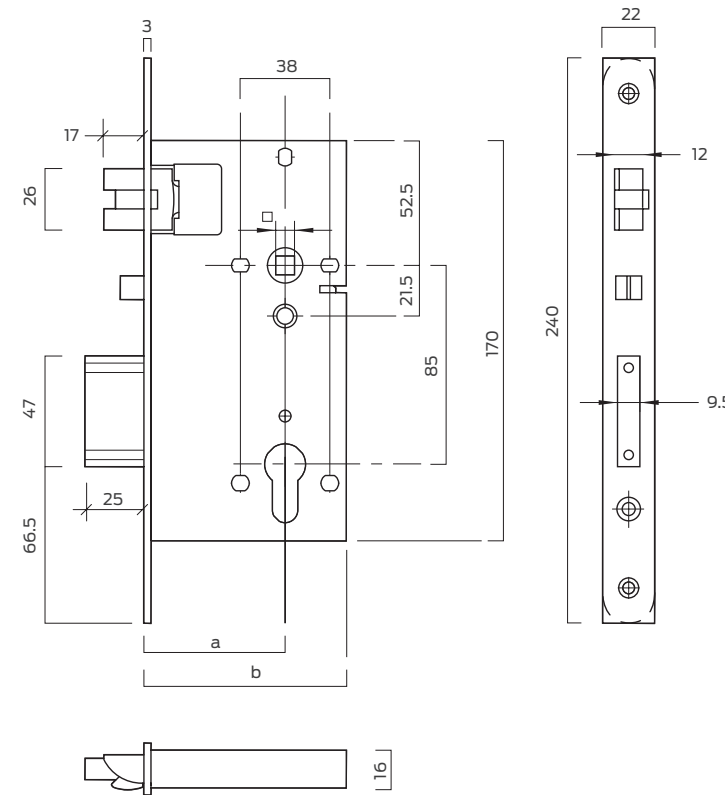
52000 Series - Heavy Duty Mortice Lockcases (Level 5-4)



52844.80 - Sashlock



52760.60 - Nightlatch



all dimensions are in mm

The CISA 52000 Series is a range of euro profile cylinder mortice lockcases offering a wide range of functions within the same case dimensions. Suitable for heavy duty applications.

Performance Level 4.

Features & Benefits

- A Single piece removable forend and strike available in brass or stainless steel
- B Zinc plated steel lock case
- C Available in 60mm, 70mm and 80mm backset
- D Anti-friction reversible latch - nickel plated
- E Anti-thrust latch deadlocks the latch when the door is closed
- F Fully galvanised internal components for corrosion resistance
- G Heavy duty deadbolt with hardened steel drill resistant pins with 25mm throw on a single turn of the cylinder
- H Automatic throw deadbolt (52840)
- J Panic function option supplied with split follower
- K Bolt through fixing holes to DIN 18251 at 38mm centres, making the lock compatible with most European hardware ranges

Options

Multiple backset options in 60mm, 70mm and 80mm.

Forend and strike finish.

Finishes

Satin stainless steel and polished brass.

Testing & Certification

CE marked to EN12209

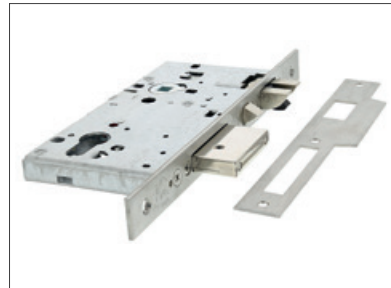
Fire tested to American Underwriters Laboratories standard and UL listed R 14945 (N). Please note, this applies to lockcases with stainless steel forend and strike only.

Full Declaration of Performance available from our website at:

www.britondops.co.uk



52000 Series – Heavy Duty Mortice Lockcases (Level 5-4)



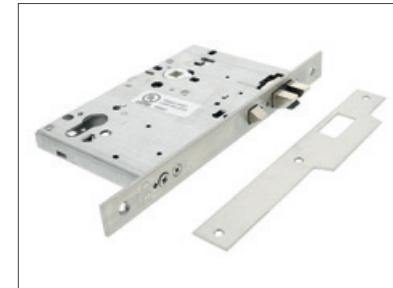
Sashlock - 52710

- Euro profile cylinder sashlock.
- For lockable doors with lever handles to retract latch
- 25mm deadbolt is thrown with a single turn of the cylinder.
- Available in multiple backsets



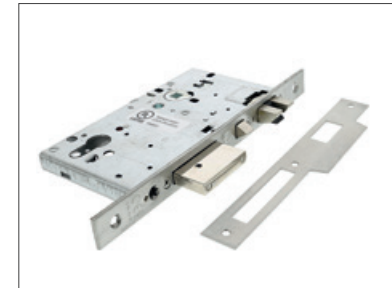
Latch - 52750

- Suitable for doors which do not require locking
- Latch operated by lever handles from both sides



Nightlatch - 52755

- Euro profile cylinder nightlatch.
- Lever operation from inside to withdraw latchbolt.
- Cylinder operation from outside to withdraw latchbolt.
- Latch is deadlocked when the door is closed



Panic Escape Sashlock - 52842

- Escape lock with split follower
- Split follower function enables deadbolt & latchbolt to be withdrawn simultaneously by lever handle from either side.
- Outside lever is locked/unlocked by cylinder.
- Easily reversible escape mechanism.



Side Escape Sashlock - 52844

- Escape lock split follower
- Split follower function enables deadbolt & latchbolt to be withdrawn simultaneously by lever handle from inside.
- Deadbolt can be thrown or withdrawn by cylinder from both sides



Panic Function Deadlock - 52871

- Deadlock operated by lever handles from both sides
- Escape lock function allows inside handle to withdraw the deadbolt at all times
- Outside handle is locked/unlocked by cylinder



Panic Nightlatch with Classroom Function - 52760

- Euro profile cylinder nightlatch.
- Lever operation from either side to withdraw latchbolt
- Outside lever handle can be locked or unlocked by cylinder
- Inside handle is always free to escape



Deadlock - 52780

- Euro profile cylinder deadlock.
- For use on doors without lever furniture
- 25mm deadbolt is thrown by a single turn of the cylinder

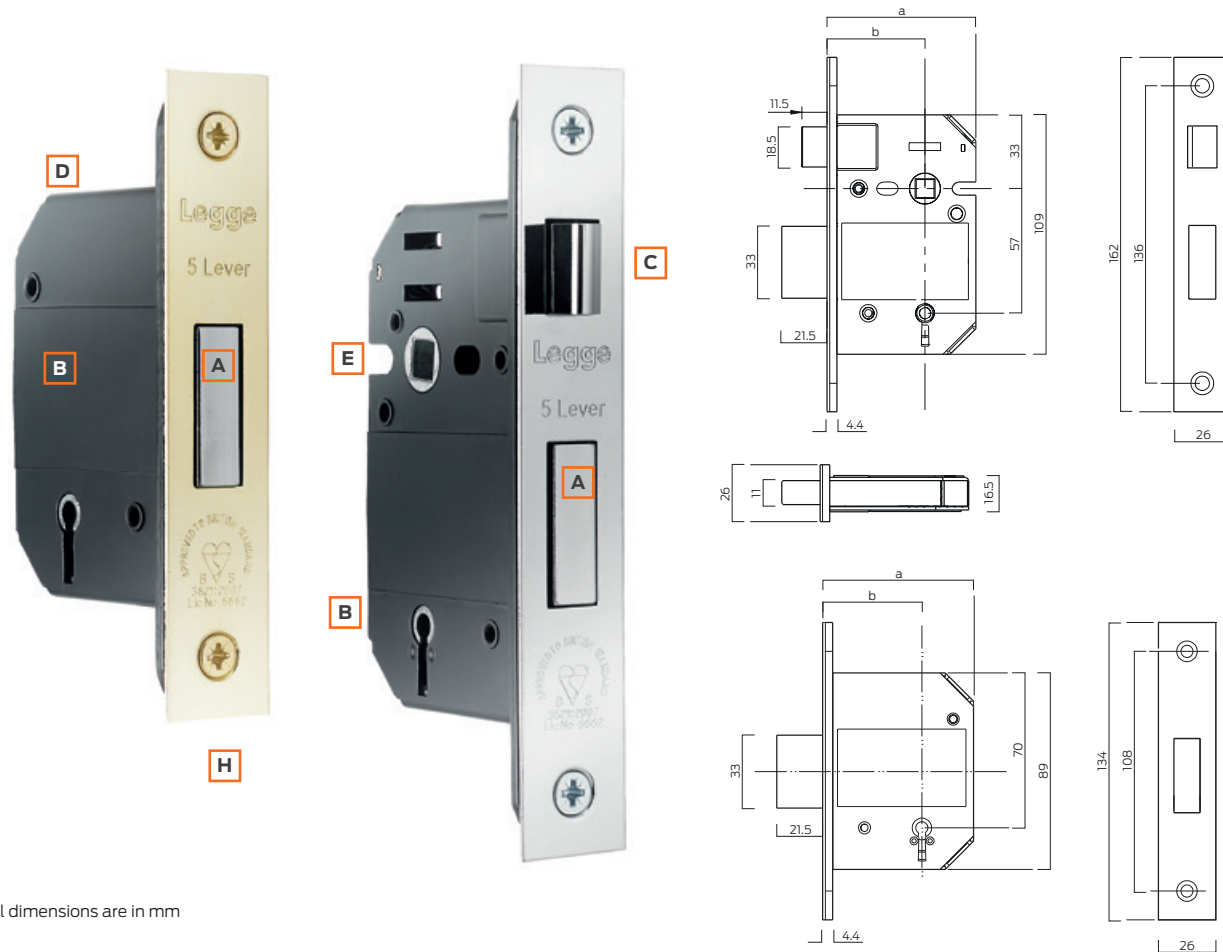


Panic Automatic Sashlock - 52840

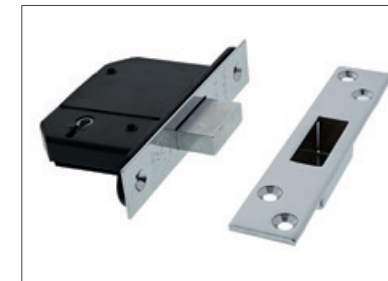
- Deadbolt is thrown automatically when the door closes
- Lever handles operate the latchbolt and deadbolt simultaneously from both sides
- Outside handle can be locked and unlocked by cylinder
- Split follower panic function means inside handle is always free to escape

Function/description	Product Ref:		
	60mm backset	70mm backset	80mm backset
Euro profile sashlock - square forend/strike	52710.60	52710.70	52710.80
Latch function - square forend/strike	52750.60	52750.70	52750.80
Nightlatch - no hold-back - square forend/strike	52755.60	52755.70	52755.80
Panic nightlatch with classroom escape function - square forend/strike	52760.60	52760.70	52760.80
Deadlock - square forend/strike	52780.60	52780.70	52780.80
Panic sashlock with automatic deadbolt activation - square forend/strike	52840.60	52840.70	52840.80
Panic escape sashlock - square forend/strike	52842.60	52842.70	52842.80
Side escape sashlock - square forend/strike	52844.60	52844.70	52844.80
Panic escape deadlock - square forend/strike	52871.60	52871.70	52871.80
Finishes - for satin stainless steel add suffix .20			
Finishes - for polished brassl add suffix .66			

BS 5 Lever - Kitemarked Mortice Lockcases (Level 2)



all dimensions are in mm



5 Lever Deadlock - N5641 / N5761

- For use on doors without lever furniture
- 20mm throw deadbolt
- Available with SS or PB forend and strike

CE (AG5126)



5 Lever Sashlock - N5642 / N5762

- For lockable doors with lever handles to retract latch
- 20mm throw deadbolt
- Available with SS or PB forend and strike.

CE (AG5127)

Product Ref:	Function/description	Case size (a)	Backset (b)	CE Classification
N5641	5 lever deadlock	68mm	45mm	2M810F7KD0B
N5642	5 lever sashlock	68mm	45mm	2M810F7KD2B
N5761	5 lever deadlock	81mm	58mm	2M810F7KD0B
N5762	5 lever sashlock	81mm	58mm	2M810F7KD2B
N41	Rebate conversion kit (13mm) for N5641 and N5761 deadlocks			
N42	Rebate conversion kit (13mm) for N5642 and N5762 sashlocks			
Note: rebate kits retain the use of the security box strike				

The Legge BS 5 lever lockcases offer exceptional levels of attack resistance making them an ideal choice for domestic and commercial applications.

Performance Level 2

Features & Benefits

- A** Hardened steel anti-saw deadbolt with 20mm throw operates after 10kN side load
- B** Anti-pick and anti-drill protection
- C** 'Pull and Twist' reversible latchbolt
- D** Steel case, black powder coated finish
- F** Accepts bolt through lever furniture fixings at 38mm centres
- G** 3 plated steel keys
- H** Available with square forend and matching security box strike

Options

Available with plated finishes SS or PB forend and matching strike plate.
Rebate conversion kits for 13mm rebate.

Finishes

Plated finishes to match polished stainless steel and polished brass.

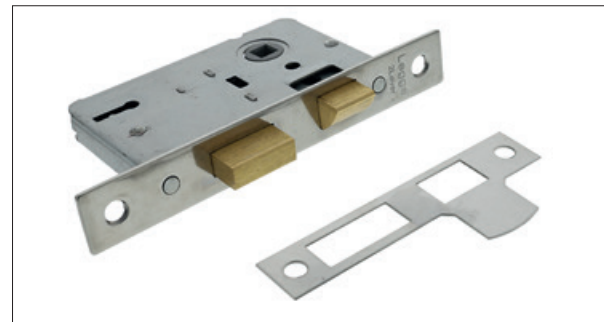
Testing & Certification

CE marked to EN12209 - Grade 7
Fully compliant with BS3621:2007 and Kitemarked
Fire tested to EN1634 on timber and composite doors to achieve a 1 hour fire rating, and 4 hour for steel doors.
Full Declaration of Performance available from our website at:

www.britondops.co.uk



Legge - Non Platform Mortice Lockcases (Level 1)



2 Lever Sashlock - B159 & B2378
2 lever sashlock with 44mm or 57mm backset

Features & Benefits

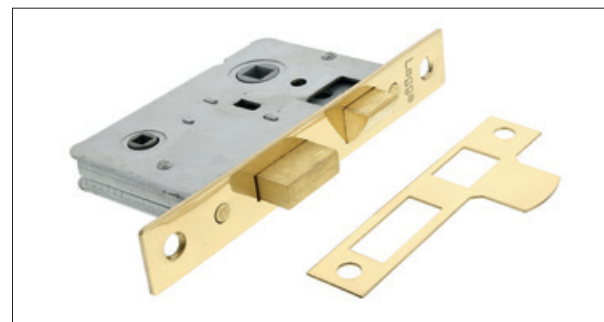
- Offering basic 2 lever security (2 brass levers) or bathroom function lockcase
- Lever lock has 24 differs
- 8mm high strength Zytel follower
- Reversible latch for on-site handing
- Brass deadbolt
- Suitable for bolt through furniture fixing at 38mm centres
- 2 die cast keys (lever lock only)

Options

Each lockcase is available in 2 case/backset sizes.
Rebate conversion kit available for bathroom lock.

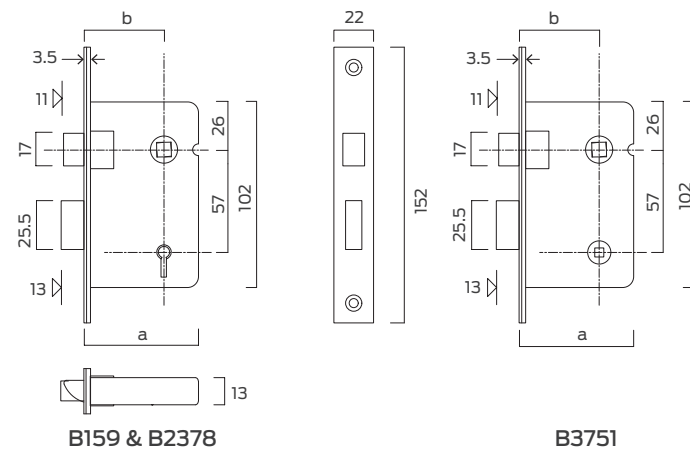
Finishes

Available with nickel plated or polished brass forend and matching strike plate.



Bathroom Lock - B3751/2.5 & B3751/3.0
Mortice bathroom lock with 44mm or 57mm backset

Product Ref:	Function/description	Case size (a)	Backset (b)	Finish
B159	2 lever sashlock	64mm	44mm	NP; PB
B2378	2 lever sashlock	76mm	57mm	NP; PB
B3751/2.5	Bathroom lock	64mm	44mm	NP; PB
B3751/3.0	Bathroom lock	76mm	57mm	NP; PB
N42/0.5	Rebate conversion kit (12.5mm) for 3751 bathroom locks			SS; PB



Legge - Mortice Latch & Deadbolt



Bathroom Deadbolt - B2515MM/ & B25128MM/

- Mortice bathroom deadbolt with thumbturn operation
- Brass deadbolt with thumbturn operation
- Accepts bolt through fixings at 38mm centres
- Available with 5mm or 8mm follower
- Round or square forend and strike

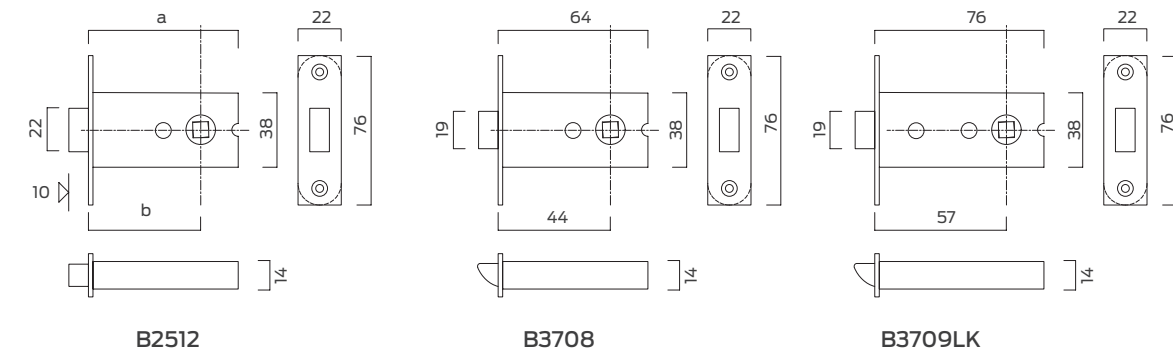


Latch - B3708 & B3709LK

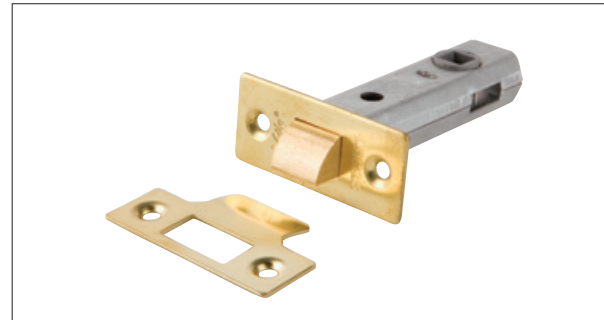
- Mortice latches for lever or knob furniture
- Meets the requirements of EN 12209 (B3708)
- CE marked (B3708)
- Accepts bolt through fixings at 38mm centres
- 8mm high strength follower



Product Ref:	Function/description	Case size (a)	Backset (b)	Finish	CE Classification
B2515MM/	Bathroom deadbolt - 5mm thumbturn follower	64mm	44mm	NP; PB	N/A
B25128MM/	Bathroom deadbolt - 8mm thumbturn follower	76mm	57mm	NP; PB	N/A
B3708	Mortice latch - CE marked -	64mm	44mm	NP; PB	NPD H810F-B010
B3709LK	Mortice latch	76mm	57mm	NP; PB	N/A

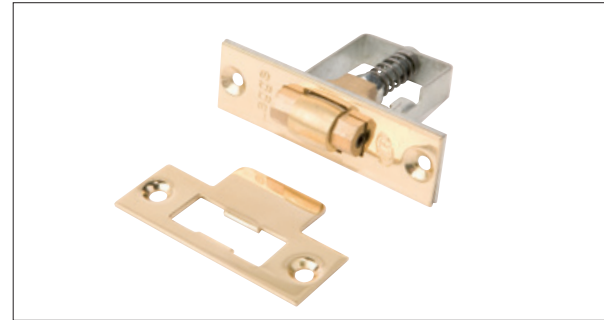


Legge - Latches



Tubular Latch - B3721, B3722 & B3724LK

- Mortice tubular latches
- Meets the requirements of EN 12209 (see table)
- CE marked (see table)
- 8mm high strength follower
- Available in electroplated brass or nickel plated finishes
- Lifetime guarantee

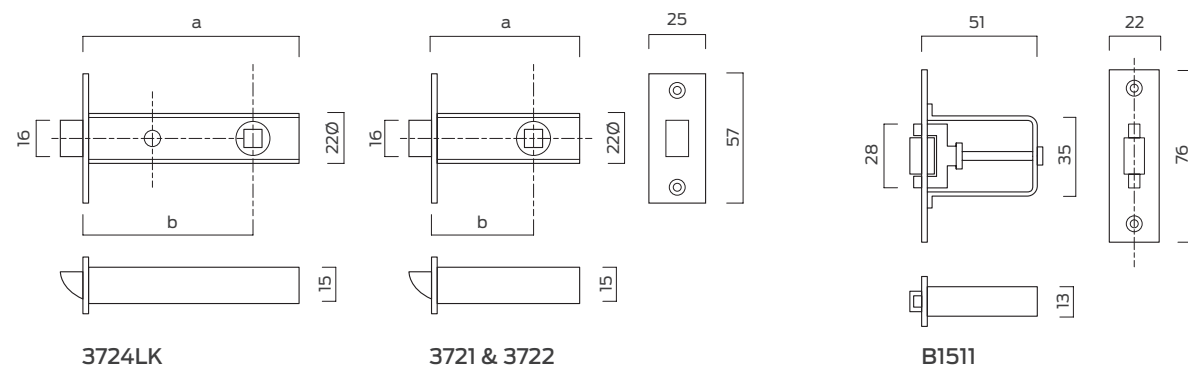


Roller Latch - B1511

- Mortice roller latch
- Brass roller latch
- Adjustable springing to provide a positive push/pull operation
- Available in polished brass or nickel plated finishes



Product Ref:	Function/description	Case size (a)	Backset (b)	Finishes	CE Classification
B3721	Tubular latch - CE marked	64mm	44mm	EB; NP; PB	NPD H810F-B010
B3722	Tubular latch - CE marked	76mm	57mm	EB; NP; PB	NPD H810F-B010
B3724LK	Tubular latch - lockable	95mm	76mm	EB; NP	N/A
B1511	Roller latch	51mm	N/A	PB; SS	N/A



all dimensions are in mm

Legge - Rebate Sets

Product Ref:	Rebate size	Application	Finish
B21NP	12.5mm	Rebate set for use with Legge 3721/3722/3724LK	NP
B21PB	12.5mm	Rebate set for use with Legge 3721/3722/3724LK	PB
B41PB/0.5	12.5mm	Rebate set for use with Legge Deadlocks	PB
B41PB/1.0	25mm	Rebate set for use with Legge Deadlocks	PB
B41SCP/0.5	12.5mm	Rebate set for use with Legge Deadlocks	SCP
B41SCP/1.0	25mm	Rebate set for use with Legge Deadlocks	SCP
B42PB/0.5	12.5mm	Rebate set for use with Legge Sashlocks	PB
B42PB/1.0	25mm	Rebate set for use with Legge Sashlocks	PB
B41SCP/0.5	12.5mm	Rebate set for use with Legge Sashlocks	SCP
B41SCP/1.0	25mm	Rebate set for use with Legge Sashlocks	SCP

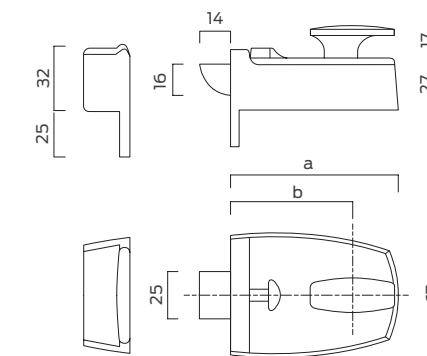
Legge - Rim Nightlatch (Level 1)



Rim Nightlatch - 707 & 727

- Rim nightlatches suitable for most retrofit applications
- Brass latchbolt
- Clockwise or anti-clockwise knob operation to withdraw latch
- Latch and knob are rendered inoperative by the deadlocking function
- Supplied with 5 pin rim cylinder with 3 keys
- Available in a polished brass finish (PB/BP) and powder coated silver (PB/SV)
Please note, in each case the cylinder is supplied in polished brass finish

Product Ref:	Function/description	Case size (a)	Backset (b)	Finishes
707	Rim nightlatch with deadlocking function	68mm	45mm	PB/BP; PB/SV
727	5 lever sashlock	68mm	45mm	PB/BP; PB/SV



707 & 727

all dimensions are in mm



Legge - Rim Locks (Level 1)

A series of rim locks and latches which are surface mounted, typically onto period doors, sheds or garages. Locks and latches should be used in conjunction with the knob furniture which must be selected separately.



Knob Furniture

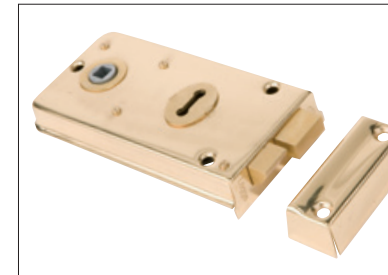
- Knob furniture for use with Briton rim locks and latches
- Supplied with 2 covered escutcheons
- Sold as pairs c/w 8mm spindle



Knob Furniture - B472

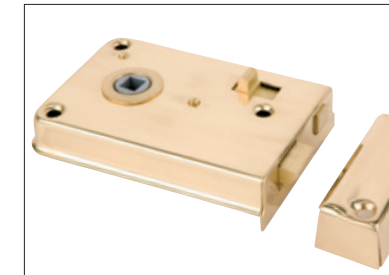
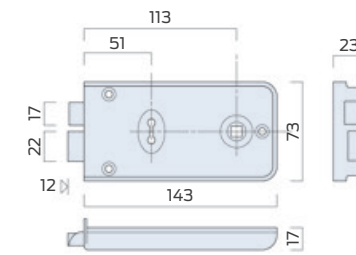
- Suitable for rim lock and rim latch
- Rose 51mm diameter
- Supplied with threaded spindle for secure fixing
- Polished brass

Legge - Rim Locks (Level 1)



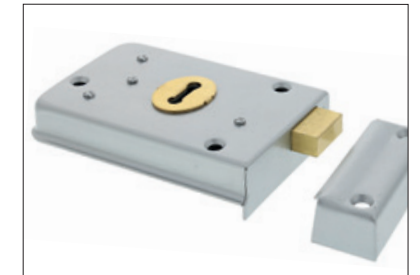
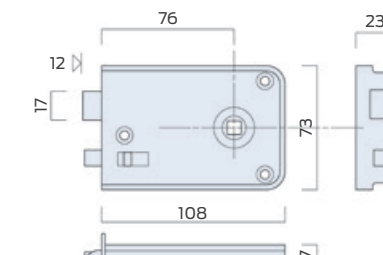
Rim Lock - 2136

- Rim lock - surface mount
- Brass latch & deadbolt
- Deadbolt by key - 12 differs
- Suitable for knob furniture with 8mm spindle



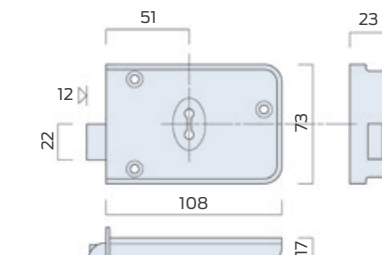
Rim Latch - 2143

- Rim latch - surface mount
- Brass latch & deadbolt
- Deadbolt thrown by snib
- Suitable for knob furniture with 8mm spindle



Rim Deadlock - 2144

- Rim deadlock - surface mount
- Brass deadbolt
- Deadbolt by key - 12 differs
- Powder coated finish



Product Ref:	Function/description	Case size	Backset	Finishes
2136	Rim mounted lock with 8mm follower	143mm	45mm	PB; SV
2143	Rim mounted latch with deadbolt thrown by snib - 8mm follower	108mm	45mm	PB; SV
2144	Rim mounted deadlock with key operation only	108mm	58mm	PB; SV
B472/2.0	Knob furniture - 51mm Victorian domed	N/A	N/A	PB
B472/2.25	Knob furniture - 57mm Victorian domed	N/A	N/A	PB

9160, 9260 & 9360 - Digital locks

Simplicity of installation combined with the convenience of keyless security



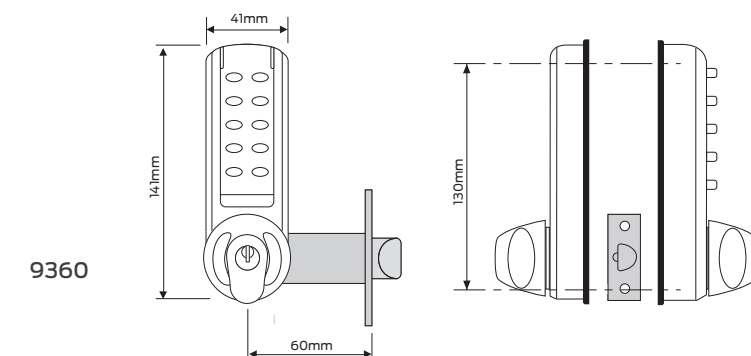
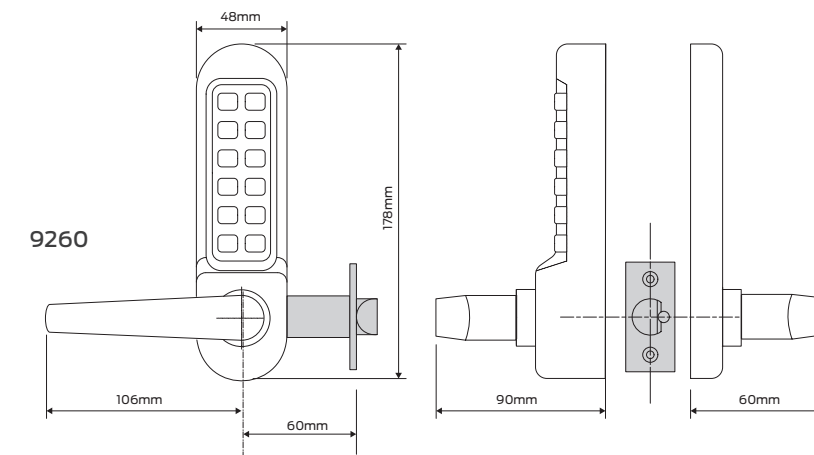
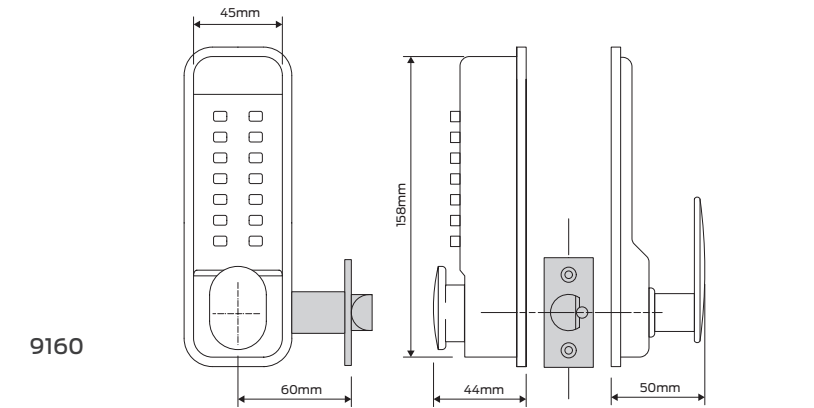
Push button digital lock - 9160
With tubular mortice latch.



Push button digital lock - 9260
With tubular mortice latch.



Electronic digital code lock - 9360
With tubular mortice latch.



9160 - Mechanical digital lock

- Push button code lock
- Operates using a single PIN code
- Suitable for light duty internal use only
- Spindle can be cut on site to suit doors 35 - 60mm thick
- Supplied c/w tubular mortice latch and internal turn knob
- Hold-open facility by snib on the internal turn knob unit
- Available in silver finish or polished brass

9260 - Digital code lock

- Digital code lock with over 2047 non sequential code options
- Available with extra long spindles for use with Briton exit devices
- Reversible lever operation for left or right hand applications
- Code changed by removing the unit from the door
- Available in satin stainless steel, polished stainless steel or polished brass

9360 - Digital code lock

- Simple and quick replacement or upgrade to mechanical code locks (common fixing holes)
- Code change without removing the unit
- Up to 80 user codes of 4 - 6 digits
- Up to 10 "One Time" codes
- Over 80,000 operations from 2 x AA batteries
- External battery override contacts
- Key override as standard
- Non handed
- PVD- brushed steel finish

Product Ref:	Function/description	Finishes
9160	Mechanical digital lock c/w hold-back function and tubular mortice latch	SV; PB
9260	Lever operated mechanical code lock c/w tubular mortice latch	PVD-SS
9360	Electronic digital code lock c/w tubular mortice latch	PVD-BS

Comprehensive cylinder ranges for all applications

Cylinder lockcases

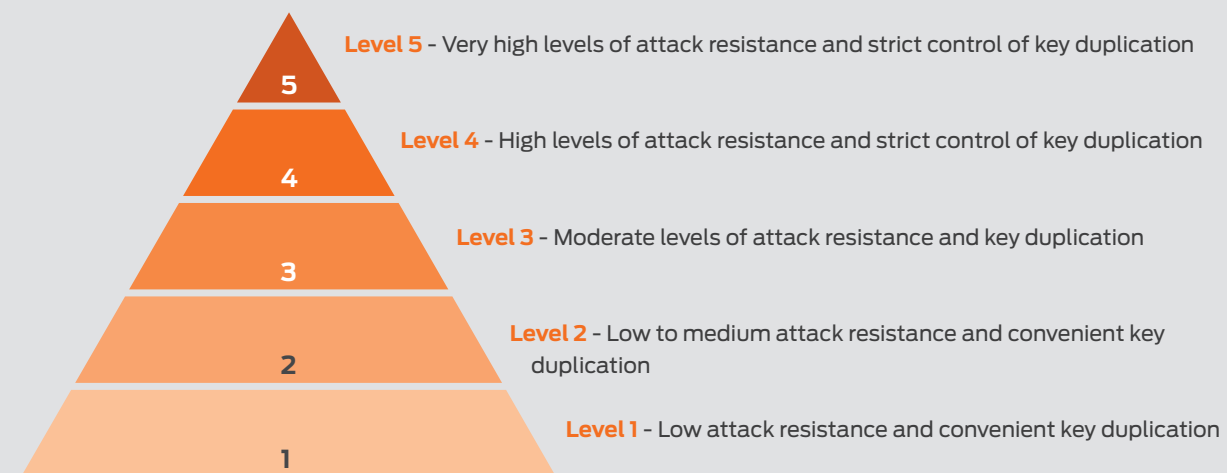
Cylinder locks are a very flexible and sophisticated means of providing security on most doors. The two part assembly uses a lockcase, which is usually morticed into the door, and a locking cylinder which is used to lock and unlock the lockcase. The cylinder lock has a number of advantages over other methods of door locking.

- Ability to select the most appropriate combination of lockcase and cylinder function
- Match the level of security to the precise needs of each door in the building
- Upgrade security as the needs of the building or its occupants change
- Enable sophisticated masterkeying and key control capabilities where access to multiple doors can be allowed or restricted to varying personnel



Performance Levels

Our multi-level approach to cylinder security ensures there is a solution for all projects, door applications and budgets.



Combining cylinders with lockcases

The operating characteristics of each lockcase can be adapted by the selection of the cylinder.

A single cylinder will, for example, provide key operation only from one side of the door. Whilst this might be suitable for a small store room in conjunction with a deadlock, it could result in a person being locked in. A cylinder with thumbturn however would provide a means of unlocking or locking a door from inside for convenience and privacy. In some cases, in a secure facility for example, such a feature may not be advantageous. When selecting the locking solution therefore it is important to consider the combined effect of the lock case and the cylinder.

Measuring Security

The security of any door application is a combination of many factors, including the door construction and physical environment surrounding the door.

However, the cylinder, is probably the most vulnerable element in the assembly and is therefore subject to severe requirements of resistance to physical attack and other aspects of security such as key control.

EN 1303:2005 is the European Standard which establishes assessment and test criteria for each cylinder to quantify its durability, key security and resistance to physical attack.



Kitemark in Practice

The BSI Kitemark is one of the most respected and trusted product certification marks throughout the world as it represents a symbol of quality and safety. To achieve Kitemark certification, a manufacturer is required to have a comprehensive quality management system combined with initial product type testing and regular audit testing.

Although the scheme is voluntary, Allegion is very supportive, believing that the Kitemark is a show of commitment to safety and quality and offers peace of mind to the customer.



ICIM Certified cylinder conforming to EN1303

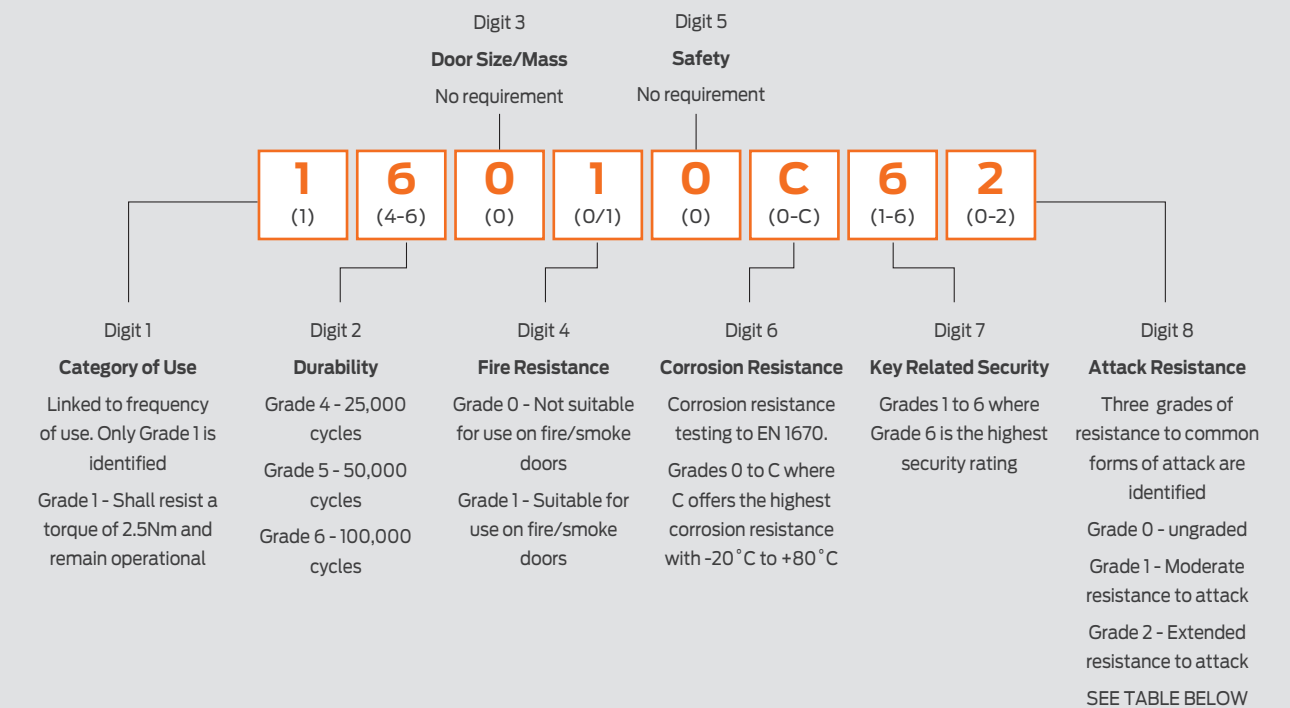
In July 2003, CISA became the very first company in Italy to obtain EN1303 based ICIM certification. Certification guarantees cylinder performance ascertained through documental checks of the technical specifications, in-company inspections to control production process, taking of samples to test either in the company or on the market and, most importantly, annual inspections.

This is so much more than a simple test report which determines the performance of only a few cylinders at one specific time.



BS EN 1303:2005

EN 1303:2005 classifies cylinders for locks using an 8 digit coding system. Features assessed include durability, fire resistance, key related security and attack resistance. The resulting 8 digit code can be used to directly compare the performance of one cylinder range against another.



Attack Resistance to EN1303

Type of attack	Digit 8 - Attack Resistance		
	Grade 0	Grade 1	Grade 2
Resistance to drilling (nett drilling time)	-	3 mins	5 mins
Resistance to chisel attack (number of defined blows)	-	30	40
Resistance to twisting attack (number of defined twists)	-	20	30
Resistance to plug/cylinder extraction (pull load)	-	15kN	15kN
Torque resistance of plug/cylinder	-	20Nm	30Nm

Guide - Selecting the right cylinder in the right place

Selecting the right cylinder system

In selecting the most appropriate cylinder system for any given application, a few simple factors should be considered:

- The need for physical security from forced entry.
- The balance between the convenience of getting duplicate keys cut and the security of strict key control whereby keys can only be obtained from the manufacturer under a letter of authority.
- The size of the system and the need for complex masterkeying capabilities.



Anti-barricade function

In some circumstances, such as secure institutions, care homes and psychiatric facilities it is desirable to prevent the inside thumbturn being used to forcibly hold the deadbolt in the locked position. A clutch mechanism within the cylinder isolates the thumbturn from the keyway so that in an emergency the key will override the thumbturn if it is being held.

Classroom function

If a teacher needs to leave a room full of pupils for a short while, they can lock the door from the outside to prevent unauthorised personnel from entering whilst being reassured the door can always be opened from the inside, even when locked. The cylinder can never be locked by the thumbturn from the inside.

Construction Keying

During the construction process, keys can easily become lost or stolen which can lead to loss of security. If Construction Keying is specified the building contractor will be issued with specific contractors keys for each of the cylinders. At the point of 'hand-over' the building owner/occupier inserts the proper 'system' keys into each cylinder and in the process renders the contractors keys inoperative.

Masterkeying

Masterkeying is the organisation of a keyed locking system where a hierarchy of access is produced. As the level of authority rises, so the ability to access cylinders in the system increases until access to all the cylinders in a system is available to a single Grand Masterkey.



Addressing physical security

An intruder seeking to break open a door will in most cases choose to "attack" the lock cylinder using the tools of the trade: drills, pliers, lock picks and other lock-forcing tools.

Methods of protecting against forced entry are 'defensive' features of passive security.

1 - Push resistance

A projecting cam on the cylinder can prevent it from being forced out of the lockcase by a hammer blow.

2 - Drill resistance

The incorporation of steel pins within the cylinder are designed to resist or delay attacks from drilling.

3 - Pick resistance

Special pin configurations can resist the manipulation of the pins in an attempt to simulate the key.

4 - Snap resistance

The inclusion of hardened steel laminates within the body of the cylinder can prevent violent twisting and snapping of the cylinder.

5 - Bump resistance

Bumping of cylinders is becoming more of an issue throughout Europe, particularly as there is no sign of forcible entry for homeowners to claim on insurance.

Patent protection

Since copyright protection on keys was abolished in 1999, it is now possible for anybody to produce and sell most types of keys. The only systems that can truly protect against illegal keyblank duplications are patented key systems. Manufacturers are able to take legal action against any authorized third parties who distribute copies of patented keys without permission.

Security Card

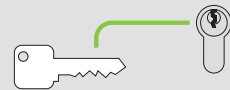
Offers a high level of service personalisation, giving further protection to the end user. The CISA authorised duplication system is the perfect solution for ensuring that keys can only be duplicated with the owner's consent on production of the security card. Supplied only with CISA standard differ products.



Keying - What keying arrangement do you need?

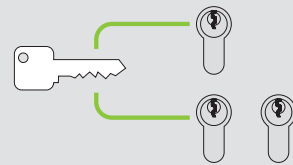
Keyed to Differ (KD)

All our cylinders are supplied "Keyed to Differ" as standard. This means each cylinder is operated by its own individual key (or keys) and no other keys will pass it.



Keyed Alike (KA)

A number of cylinders can be "Keyed Alike" so that the same key can be used to operate all locks, reducing the number of keys required to access different doors. Keyed Alike cylinders are ideal for areas where minimal key control is required.

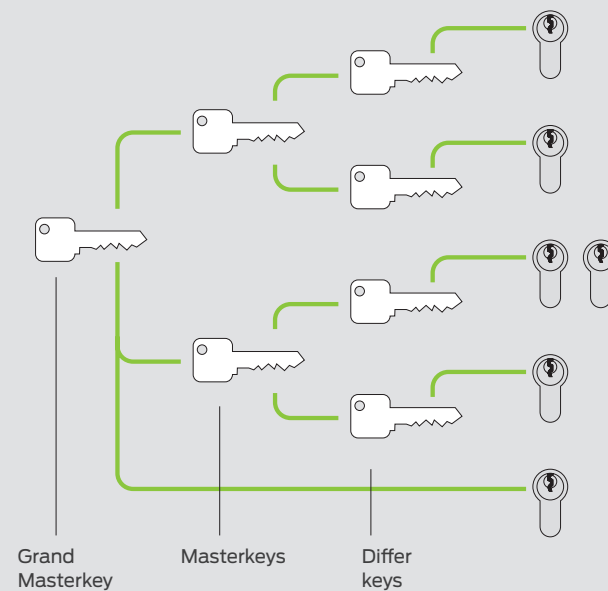


Masterkeying (MK)

The term "Masterkeying" is used generally to identify any system of cylinders in which a hierarchy of access has been established. In such a system certain keys will operate more than one cylinder.

In many larger buildings or groups of buildings such as a university campus, school or hospital it would be impractical to provide a different cylinder for each and every door. Even within a single department, authorised users could become the custodian of hundreds of keys.

By the careful design and organisation of cylinder pinning and key profiles, a hierarchy of keys can be developed which allows access to individual doors, groups of doors, all the doors on one floor or ultimately all the doors in the building using just one key.

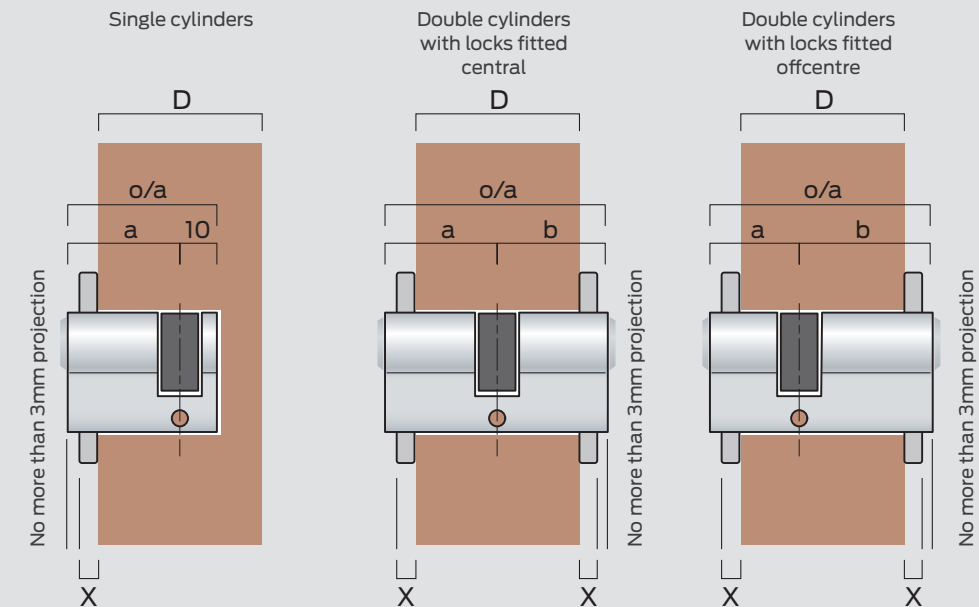


Sizing - Choosing the right cylinder length

The right length

Selecting the right length of cylinder is important not only for aesthetic reasons but also:

- To limit the amount of cylinder that projects from the face of the door hardware in order to protect it from attack by twisting and snapping
- To avoid the risk of hitting the cylinder with the hand when using lever handles



How to calculate

Crucial factors in establishing the correct length of cylinder are:

- Door thickness (D)
- Hardware thickness (X)
- Lock position in the door

For single cylinders

When ordering a single cylinder calculate the length from the lock centreline to the outer face of the hardware. This will be dimension 'a'

For double cylinders

When ordering a double cylinder or cylinder with turn, calculate the length from the lock centreline to the outer face of the hardware on both sides. Remember, for locks which are fitted offcentre, dimensions a and b will differ.

In all cases you must select a cylinder which has the nearest dimensions to ensure that the cylinder lies flush or up to 3mm (max.) proud of the hardware.

Cylinders - Overview & Selector



Features and options	CISA Astral Tekno	CISA Astral S	CISA Astral	Briton C2000	Briton 75-29	Features and options
Performance Level	Level 4	Level 4	Level 3	Level 2	Level 3	
No. of pins	2 row 10 pin	10 pin	10 pin	5	6 + check pin	No. of pins
Push resistant projecting cam	■	■	■	■	■	Push resistant projecting cam
Anti-pick pins	■	■	■	■	■	Anti-pick pins
Anti-drill	■	■	■	■	■	Anti-drill
Bump resistant	■	■				Bump resistant
Snap resistant		■				Snap resistant
Patent protection	up to 2026				up to 2029	Patent protection
Protected key duplication	■	■	■		■	Protected key duplication
Code card required for key duplication	■	■	■			Code card required for key duplication
No. of differs	1.6 million	1.6 million	1.6 million	30,000	30,000	No. of differs
Masterkeying capacity	up to 63,000 keys	up to 63,000 keys	up to 63,000 keys	up to 1,000 keys	TBA*	Masterkeying capacity
EN 1303:2005 Classification	16 010 C 6 0	16 010 C 6 2	16 010 C 6 0	16 010 C 4 0	16 000 C 5 2	EN 1303:2005 Classification
Kitemarked TS007:2012		■				Kitemarked TS007:2012
Anti-barricade function	□	□	□		□	Anti-barricade function
Classroom function	□	□	□	□	□	Classroom function
Construction keying function	□	□	□		□	Construction keying function
Cylinder Types						Cylinder Types
Euro profile	■	■	■	■	■	Euro profile
Oval profile					■	Oval profile
Rim			■	■	■	Rim
Rim mortice/threaded			■		■	Rim mortice/threaded

* Dependent on the complexity of the masterkey system

■ Standard □ Available as an option/variant

Astral Tekno - High Security Euro Profile Cylinders (Level 4)

The Astral Tekno System is ideal for applications which require a secure locking solution and high quality at an affordable price. The patented system ensures key duplication is restricted as keys can only be duplicated at a CISA Tekno Centre or by CISA.

Astral Tekno is backwards compatible with Astral and Astral S cylinders on the same masterkey system. This flexibility allows precise levels of security to be set for each door within a building or campus.

Capable of producing over 63,000 cylinders per masterkey and up to 1.6 million differs, the Astral Tekno system is particularly suitable for applications requiring a complex and flexible masterkey solution such as hospitals, schools, universities and large commercial organisations.



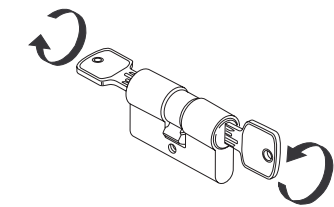
High levels of protection and controlled key duplication
Performance Level 4

Principal Features & Benefits

- Level 4 Performance
- 10 Pin key biting system (6 active, 4 passive) produces over 1.6 million key differs
- Patented system providing restricted key duplication up to 2026 (EP1867810B1). Keys can only be duplicated by CISA Tekno Centre or by CISA
- Hardened steel pins and drivers in first position protect from drilling attack
- Pick resistant profile brass pins and drivers
- Brass cylinder body and plugs, sanded nickel and plated brass finish as standard with polished brass on request
- Patented BKP Bump resistant device fitted as standard
- Clutch type cam safety feature
- Reversible flat key with plastic key bow

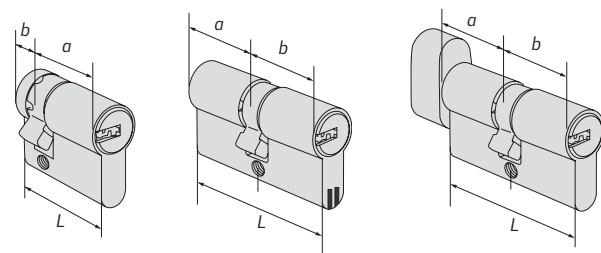


The built in clutch function as standard, allows the cylinder to be operated even if a key is inserted in the opposite side of the cylinder.



Primary options

- Multiple euro profile cylinder lengths
- Single cylinder / double cylinder / double cylinder with thumbturn
- Available in equal and offset sizes
- Cylinders as standard are Keyed to Differ but are also available:
 - Keyed Alike
 - Masterkey system
 - Grand Masterkey system
- Available in Nickel Plated and Satin Brass finishes



Additional Functions

- Classroom function
- Construction keying
- Anti-barricade function

Testing & Certification

- EN 1303:2005 compliant
- Grade 6 Durability
 - Grade 6 Key Security
 - Grade 0 Attack Resistance

ICIM EN 1303:2005 16010C62

Full Declaration of Performance available from our website at:

www.britondops.co.uk



What's in the box?

- Cylinder
- Cylinder fixing screw
- Astral Tekno Security Card
- 3 keys
- Operating & maintenance instructions

CISA - Astral Tekno Euro Profile Cylinders (Level 4)



Single cylinders

Key operation from one side only. Check cylinder length required.

Product Ref:	Function/description	Finishes
OM314.02	Euro Single 30/10 (39.5mm Overall)	add suffix:
OM314.03	Euro Single 40/10 (49.5mm Overall)	.00 for SB
OM314.07	Euro Single 35/10 (44.5mm Overall)	.12 for NP



Double cylinders - Equal sides

Key operation from both sides. Check cylinder length required.

Product Ref:	Function/description	Finishes
OM311.07	Euro Double 30/30 (60mm Overall)	
OM311.13	Euro Double 35/35 (70mm Overall)	add suffix:
OM311.18	Euro Double 40/40 (80mm Overall)	.00 for SB
OM311.29	Euro Double 45/45 (90mm Overall)	.12 for NP
OM311.23	Euro Double 50/50 (100mm Overall)	



Offset Double cylinders - Unequal sides

Key operation from both sides. Check cylinder length and offset required.

Product Ref:	Function/description	Finishes
OM311.17	Euro Double 30/50 (80mm Overall)	
OM311.19	Euro Double 35/45 (80mm Overall)	
OM311.20	Euro Double 30/60 (90mm Overall)	
OM311.21	Euro Double 40/50 (90mm Overall)	
OM311.25	Euro Double 40/60 (100mm Overall)	
OM311.27	Euro Double 30/45 (75mm Overall)	add suffix:
OM311.28	Euro Double 35/40 (75mm Overall)	.00 for SB
OM311.30	Euro Double 40/45 (85mm Overall)	.12 for NP
OM311.31	Euro Double 35/50 (85mm Overall)	
OM311.32	Euro Double 35/55 (90mm Overall)	
OM311.42	Euro Double 40/55 (95mm Overall)	
OM311.43	Euro Double 45/55 (100mm Overall)	

Please Note:

Astral Tekno cylinders may also be ordered as part of a masterkeyed suite. Please contact us for further information.



Double cylinder with thumbturn - Equal sides

Key operation from one side and thumbturn operation on the other. Check cylinder length required.

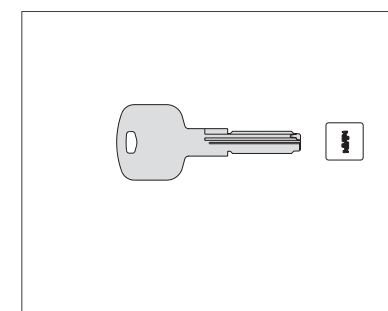
Product Ref:	Function/description	Finishes
OM312.07	Euro Cylinder & Turn 30/30 (60mm Overall)	
OM312.13	Euro Cylinder & Turn 35/35 (70mm Overall)	add suffix:
OM312.18	Euro Cylinder & Turn 40/40 (80mm Overall)	.00 for SB
OM312.29	Euro Cylinder & Turn 45/45 (90mm Overall)	.12 for NP



Offset Double cylinder with thumbturn - Unequal sides

Key operation from one side and thumbturn operation on the other. Check cylinder length required and thumbturn side.

Product Ref:	Function/description	Finishes
OM312.19	Euro Cylinder & Turn 35/45 (80mm Overall)	
OM312.20	Euro Cylinder & Turn 40/50 (90mm Overall)	
OM312.42	Euro Cylinder & Turn 40/55 (95mm Overall)	add suffix:
OM312.43	Euro Cylinder & Turn 45/55 (100mm Overall)	.00 for SB
OM312.84	Euro Cylinder & Turn 45/40 (85mm Overall)	.12 for NP
OM312.85	Euro Cylinder & Turn 45/35 (80mm Overall)	



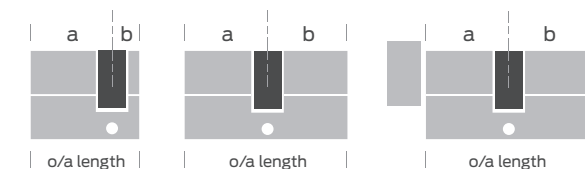
Astral Tekno Keys and options

Product Ref:	Function/description
OM.KEY	Extra Servant (Differ) Keys Ordered Later
CI PASS ASTRAL TEKNO	Keyed Alike Charge (Each Cylinder Side)
M.OM.D	Servant (Differ) Keys Supplied With Order
M.OM.M	Servant (Master) Keys Supplied With Order

Cylinder sizes are stated in the tables above in the form:

Euro Double a/b (o/a length).

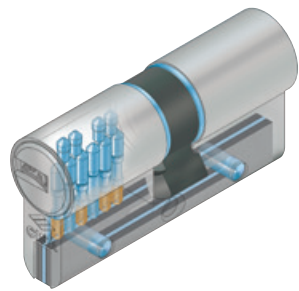
e.g. Euro Double 30/30(60mm overall)



Astral S - High Security Euro Profile Cylinders (Level 4)

The Astral S system is a range of kitemarked cylinders that have been designed to offer protection from the most common forms of attack, including bumping, snapping, extraction and drilling, making it ideal for residential and commercial applications.

Astral S and Astral cylinders can be combined within the same masterkey system, providing the higher attack resistance of Astral S on the more vulnerable doors.

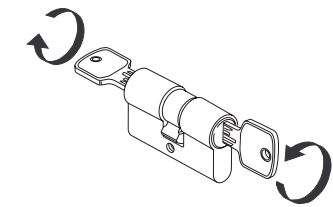


Patented anti-snap attack resistance - Performance Level 4

Principal Features & Benefits

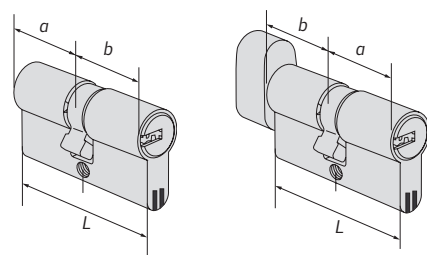
- Level 4 Performance
- 10 Pin key biting system produces over 1.6 million key differs
- Mushroom shaped driver profile provides "pick resistance"
- Hardened steel pins and drivers throughout protect from drilling and give high durability
- Brass cylinder body and plugs, satin brass or satin nickel finish as standard
- BKP Bump resistant device fitted as standard
- Patented laminated steel core made of 6 rigid segments and 1 flexible segment extends throughout the entire length of the cylinder and provides snap resistance to both flexural and pulling test. The core is visible at both ends of a double cylinder to provide an additional visual deterrent.
- Self lubricating projecting DIN standard sintered steel cam provides push resistance to prevent the cylinder being forced out of the lockcase
- Clutch type cam safety feature (see below)
- Phosphor bronze springs
- Hardened steel inserts in the body & core prevent drilling attack
- Reversible flat key 2.9mm thick with nickel plated finish
- Code card protected key duplication

The built in clutch function as standard, allows the cylinder to be operated even if a key is inserted in the opposite side of the cylinder.



Primary options

- Multiple euro profile cylinder lengths
- Double cylinder / double cylinder with thumbturn
- Available in equal and offset sizes
- Cylinders as standard are Keyed to Differ but are also available:
 - Keyed Alike
 - Masterkey system
 - Grand Masterkey system
- Available in Nickel Plated and Satin Brass finishes



Additional Functions

- Classroom function
- Construction keying
- Anti-barricade function

Testing & Certification

EN 1303:2005 compliant - Grade 6 Durability
 - Grade 6 Key Security
 - Grade 2 Attack Resistance

Kitemarked to TS007:2012 - 2 Star

ICIM EN 1303:2005 16010C62

Full Declaration of Performance available from our website at:

www.britondops.co.uk



What's in the box?

- Cylinder
- Cylinder fixing screw
- Astral S Security Card
- 3 keys
- Operating & maintenance instructions

CISA - Astral S Euro Profile Cylinders (Level 4)



Double cylinders - Equal sides

Key operation from both sides. Check cylinder length required.

Product Ref:	Function/description	Finishes
OA3S1.07	Euro Double 30/30 (59mm Overall)	
OA3S1.13	Euro Double 35/35 (69mm Overall)	add suffix:
OA3S1.18	Euro Double 40/40 (79mm Overall)	.00 for SB
OA3S1.29	Euro Double 45/45 (89mm Overall)	.12 for NP
OA3S1.23	Euro Double 50/50 (99mm Overall)	



Offset Double cylinders - Unequal sides

Key operation from both sides. Check cylinder length and offset required.

Product Ref:	Function/description	Finishes
OA3S1.12	Euro Double 30/40 (69mm Overall)	
OA3S1.17	Euro Double 30/50 (79mm Overall)	
OA3S1.19	Euro Double 35/45 (79mm Overall)	
OA3S1.20	Euro Double 30/60 (89mm Overall)	
OA3S1.21	Euro Double 40/50 (89mm Overall)	
OA3S1.25	Euro Double 40/60 (99mm Overall)	add suffix:
OA3S1.28	Euro Double 35/40 (74mm Overall)	.00 for SB
OA3S1.30	Euro Double 40/45 (84mm Overall)	.12 for NP
OA3S1.31	Euro Double 35/50 (84mm Overall)	
OA3S1.32	Euro Double 35/55 (89mm Overall)	
OA3S1.39	Euro Double 45/50 (94mm Overall)	
OA3S1.42	Euro Double 40/55 (94mm Overall)	
OA3S1.43	Euro Double 45/55 (99mm Overall)	

Please Note:

Astral S cylinders may also be ordered as part of a masterkeyed suite. Please contact us for further information.



Double cylinder with thumbturn - Equal sides

Key operation from one side and thumbturn operation on the other. Check cylinder length required.

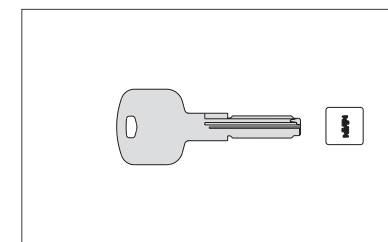
Product Ref:	Function/description	Finishes
OA3S2.07	Euro Cylinder & Turn 30/30 (59mm Overall)	
OA3S2.13	Euro Cylinder & Turn 35/35 (59mm Overall)	add suffix:
OA3S2.18	Euro Cylinder & Turn 40/40 (79mm Overall)	.00 for SB
OA3S2.29	Euro Cylinder & Turn 45/45 (89mm Overall)	.12 for NP
OA3S2.23	Euro Cylinder & Turn 50/50 (99mm Overall)	



Offset Double cylinder with thumbturn - Unequal sides

Key operation from one side and thumbturn operation on the other. Check cylinder length required and thumbturn side.

Product Ref:	Function/description	Finishes
OA3S2.19	Euro Cylinder & Turn 35/45 (79mm Overall)	
OA3S2.21	Euro Cylinder & Turn 40/50 (89mm Overall)	
OA3S2.42	Euro Cylinder & Turn 40/55 (94mm Overall)	add suffix:
OA3S2.43	Euro Cylinder & Turn 45/55 (99mm Overall)	.00 for SB
OA3S2.84	Euro Cylinder & Turn 45/40 (84mm Overall)	.12 for NP
OA3S2.85	Euro Cylinder & Turn 45/35 (79mm Overall)	



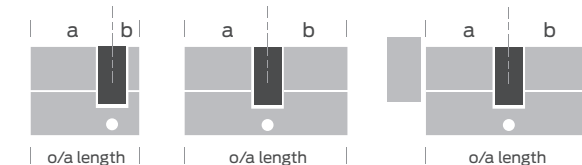
Astral S Keys and options

Product Ref:	Function/description
M.OA.M	Astral S Master Keys
KEY.OA	Astral S Extra Servant (Differ) Keys Ordered Later
M.OA.D	AP3 Extra Servant (Differ) Keys Supplied With Order

Cylinder sizes are stated in the tables above in the form:

Euro Double a/b (o/a length).

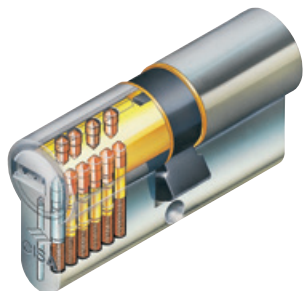
e.g. Euro Double 30/30(59mm overall)



Astral – Medium Security Cylinder Range (Level 3)

Astral cylinders are the ultimate convenience solution for masterkey systems with a possibility of up to 63,000 different cylinders on a single system, making them ideal for small commercial access management applications. In addition, the system can be interchanged with Astral S where extra protection is required.

Astral incorporates a wide range of cylinder types, ensuring your masterkey system can encompass different types of lock on the same masterkeys.



A comprehensive range of cylinders – Performance Level 3

Principal Features & Benefits

- Level 3 Performance
- 10 Pin key bitting system produces over 1.6 million key differs
- Hardened steel insert pin in body and hardened steel pin and driver in first pin position prevents drilling attack
- Bronze pins and brass drivers have pick resistant profiles
- Brass cylinder body and plugs, satin brass or satin nickel finish as standard
- Self lubricating projecting DIN standard sintered steel cam provides push resistance to prevent the cylinder being forced out of the lockcase
- Hardened steel inserts in the body & core prevent drilling attack
- Reversible flat key 2.9mm thick with nickel plated finish
- Code card protected key duplication
- Compatible with Astral S and Astral Tekno cylinders which allows combinations of security levels under the same masterkey system

Primary options

- Multiple euro profile cylinder lengths
- Single cylinder / double cylinder / double cylinder with thumbturn
- Available in equal and offset sizes
- Rim and Rim Mortise cylinders also available
- Cylinders as standard are Keyed to Differ but are also available:
 - Keyed Alike
 - Masterkey system
 - Grand Masterkey system
- Available in Nickel Plated and Satin Brass finishes

Additional Functions

- Classroom function
- Construction keying
- Anti-barricade function

Testing & Certification

EN 1303:2005 compliant – Grade 6 Durability
 – Grade 6 Key Security
 – Grade 0 Attack Resistance

ICIM EN 1303:2005 16010C62

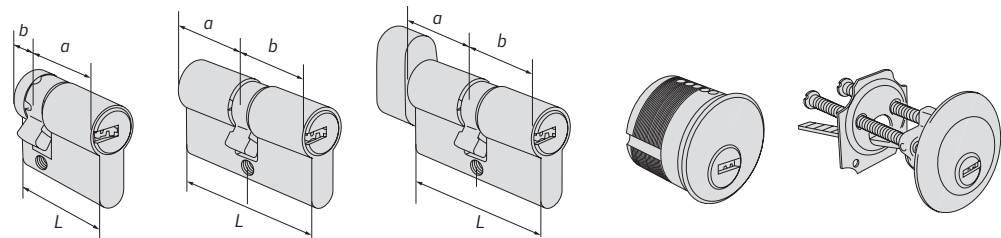
Full Declaration of Performance available from our website at:

www.britondops.co.uk



What's in the box?

- Cylinder
- Cylinder fixing screw
- Astral Security Card
- 3 keys
- Operating & maintenance instructions



CISA - Astral Euro Profile Cylinders (Level 3)



Single cylinders

Key operation from one side only. Check cylinder length required.

Product Ref:	Function/description	Finishes
OA314.02	Euro Single 30/10 (39.5mm Overall)	add suffix:
OA314.03	Euro Single 40/10 (49.5mm Overall)	.00 for SB
OA314.07	Euro Single 35/10 (44.5mm Overall)	.12 for NP



Double cylinders - Equal sides

Key operation from both sides. Check cylinder length required.

Product Ref:	Function/description	Finishes
OA310.07	Euro Double Cylinder 30/30 (59mm Overall)	
OA310.13	Euro Double Cylinder 35/35 (69mm Overall)	add suffix:
OA310.18	Euro Double Cylinder 40/40 (79mm Overall)	.00 for SB
OA310.29	Euro Double Cylinder 45/45 (89mm Overall)	.12 for NP
OA310.23	Euro Double Cylinder 50/50 (99mm Overall)	



Offset Double cylinders - Unequal sides

Key operation from both sides. Check cylinder length and offset required.

Product Ref:	Function/description	Finishes
OA310.12	Euro Double 30/40 (69mm Overall)	
OA310.17	Euro Double 30/50 (79mm Overall)	
OA310.19	Euro Double 35/45 (79mm Overall)	
OA310.20	Euro Double 30/60 (89mm Overall)	
OA310.21	Euro Double 40/50 (89mm Overall)	add suffix:
OA310.25	Euro Double 40/60 (99mm Overall)	.00 for SB
OA310.28	Euro Double 35/40 (74mm Overall)	.12 for NP
OA310.30	Euro Double 40/45 (84mm Overall)	
OA310.31	Euro Double 35/50 (84mm Overall)	
OA310.32	Euro Double 35/55 (89mm Overall)	
OA310.42	Euro Double 40/55 (94mm Overall)	
OA310.43	Euro Double 45/55 (99mm Overall)	

Please Note:

Astral cylinders may also be ordered as part of a masterkeyed suite. Please contact us for further information.



Double cylinder with thumbturn - Equal sides

Key operation from one side and thumbturn operation on the other. Check cylinder length required.

Product Ref:	Function/description	Finishes
OA312.07	Euro Cylinder & Turn 30/30 (59mm Overall)	add suffix:
OA312.13	Euro Cylinder & Turn 35/35 (69mm Overall)	.00 for SB
OA312.18	Euro Cylinder & Turn 40/40 (79mm Overall)	.12 for NP



Offset Double cylinder with thumbturn - Unequal sides

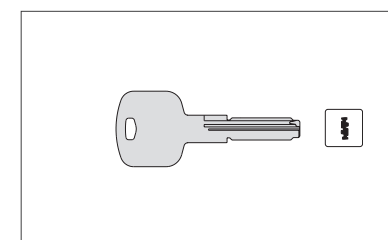
Key operation from one side and thumbturn operation on the other. Check cylinder length required and thumbturn side.

Product Ref:	Function/description	Finishes
OA312.19	Euro Cylinder & Turn 35/45 (79mm Overall)	
OA312.21	Euro Cylinder & Turn 40/50 (89mm Overall)	add suffix:
OA312.42	Euro Cylinder & Turn 40/55 (94mm Overall)	.00 for SB
OA312.43	Euro Cylinder & Turn 45/55 (99mm Overall)	.12 for NP
OA312.84	Euro Cylinder & Turn 45/40 (84mm Overall)	
OA312.85	Euro Cylinder & Turn 45/35 (79mm Overall)	



Rim & Rim mortice cylinders

Product Ref:	Function/description	Finishes
OA510.50	Rim Night Latch Cylinder	add suffix:
OA810.00	Single Screw In (Threaded) Cylinders	.00 for SB .12 for NP



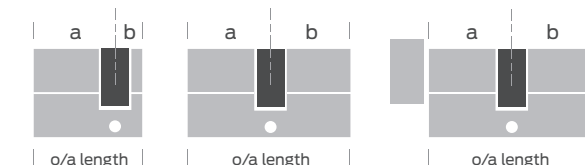
Astral Keys and options

Product Ref:	Function/description
OA.KEY	Astral Extra Servant (Differ) Keys Ordered Later
M.OA.D	Astral Extra Servant (Differ) Keys Supplied with Order
M.OA.M	Astral Master Keys
CI PASS ASTRAL	Astral Keyed Alike Charge (Each Cylinder Side)

Cylinder sizes are stated in the tables above in the form:

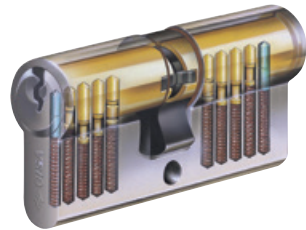
Euro Double a/b (o/a length).

e.g. Euro Double 30/30(59mm overall)



C2000 - Basic Security and Masterkeying (Level 2)

For applications where strict control over key duplication is not such a high priority, the C2000 system provides an ideal solution with simple masterkeying requirements. C2000 cylinders offer a high level of physical security but with the added convenience of local key cutting.



Balancing key control and convenience - Performance Level 2

Principal Features & Benefits

- Level 2 Performance
- 5 Pin key bitting system produces over 30,000 key differs
- Hardened steel pin and driver in first position protects from drilling attack
- Brass pins and drivers have pick resistant profiles
- Brass cylinder body and plugs, satin brass, polished brass or satin nickel finish as standard
- Paracentral keyway and mushroom shaped drivers provide 'pick resistance'
- Self lubricating projecting DIN standard sintered steel cam provides push resistance to prevent the cylinder being forced out of the lockcase
- Phosphor bronze springs
- Keys in brass alloy 2.2mm thick with nickel plated finish
- 3 keys supplied as standard

Primary options

- Multiple euro profile cylinder lengths
- Single cylinder / double cylinder / double cylinder with thumbturn
- Available in equal and offset sizes
- Rim and Rim Mortise cylinders also available
- Cylinders as standard are Keyed to Differ but are also available:
 - Keyed Alike
 - Masterkey system
 - Grand Masterkey system
- Available in Nickel Plated and Satin Brass finishes

Additional Functions

- Classroom function
- Construction keying
- Anti-barricade function

Testing & Certification

EN 1303:2005 compliant - Grade 6 Durability
 - Grade 4 Key Security
 - Grade 0 Attack Resistance

ICIM EN 1303:2005 16010C62

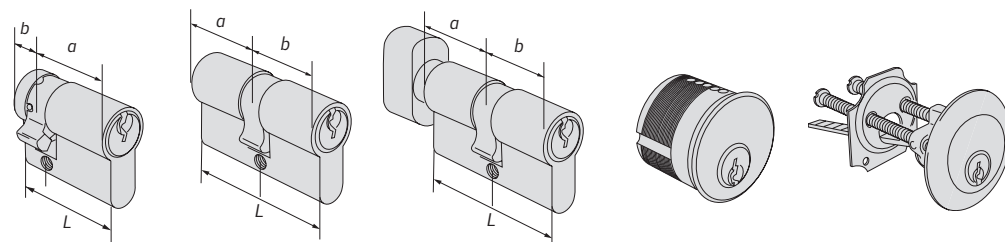
Full Declaration of Performance available from our website at:

www.britondops.co.uk



What's in the box?

- Cylinder
- Cylinder fixing screw
- 3 keys
- Operating & maintenance instructions



CISA - C2000 Euro Profile Cylinders (Level 2)



Single cylinders

Key operation from one side only. Check cylinder length required.

Product Ref:	Function/description	Finishes
OG304.02	Euro Single 30/10 (39.5mm Overall)	add suffix:
OG304.03	Euro Single 40/10 (49.5mm Overall)	.00 for SB
OG304.07	Euro Single 35/10 (44.5mm Overall)	.12 for NP



Double cylinders - Equal sides

Key operation from both sides. Check cylinder length required.

Product Ref:	Function/description	Finishes
OG300.07	Euro Double Cylinder 30/30 (59mm Overall)	
OG300.13	Euro Double 35/35 (69mm Overall)	add suffix:
OG300.18	Euro Double 40/40 (79mm Overall)	.00 for SB
OG300.29	Euro Double 45/45 (89mm Overall)	.12 for NP
OG300.23	Euro Double 50/50 (99mm Overall)	



Offset Double cylinders - Unequal sides

Key operation from both sides. Check cylinder length and offset required.

Product Ref:	Function/description	Finishes
OG300.12	Euro Double 30/40 (69mm Overall)	
OG300.17	Euro Double 30/50 (79mm Overall)	
OG300.19	Euro Double 35/45 (79mm Overall)	
OG300.20	Euro Double 30/60 (89mm Overall)	
OG300.21	Euro Double 40/50 (89mm Overall)	add suffix:
OG300.25	Euro Double 40/60 (99mm Overall)	.00 for SB
OG300.28	Euro Double 35/40 (74mm Overall)	.12 for NP
OG300.30	Euro Double 40/45 (84mm Overall) -	
OG300.31	Euro Double 35/50 (84mm Overall)	
OG300.32	Euro Double 35/55 (89mm Overall)	
OG300.42	Euro Double 40/55 (94mm Overall)	
OG300.43	Euro Double 45/55 (99mm Overall)	
OG300.54	Euro Double 45/60 (104mm Overall)	

Please Note:

CISA C2000 cylinders may also be ordered as part of a masterkeyed suite. Please contact us for further information.



Double cylinder with thumbturn - Equal sides

Key operation from one side and thumbturn operation on the other. Check cylinder length required.

Product Ref:	Function/description	Finishes
OG302.07	Euro Cylinder & Turn 30/30 (59mm Overall)	add suffix:
OG302.13	Euro Cylinder & Turn 35/35 (69mm Overall)	.00 for SB
OG302.18	Euro Cylinder & Turn 40/40 (79mm Overall)	.12 for NP



Offset Double cylinder with thumbturn - Unequal sides

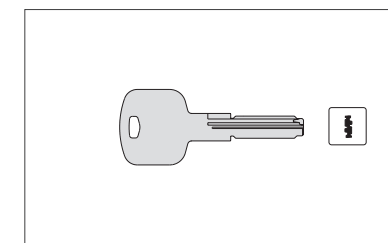
Key operation from one side and thumbturn operation on the other. Check cylinder length required and thumbturn side.

Product Ref:	Function/description	Finishes
OG302.19	Euro Cylinder & Turn 35/45 (79mm Overall)	
OG302.21	Euro Cylinder & Turn 40/50 (89mm Overall)	
OG302.42	Euro Cylinder & Turn 40/55 (94mm Overall)	add suffix:
OG302.43	Euro Cylinder & Turn 45/55 (99mm Overall)	.00 for SB
OG302.84	Euro Cylinder & Turn 45/40 (84mm Overall)	.12 for NP
OG302.85	Euro Cylinder & Turn 45/35 (79mm Overall)	



Rim & Rim mortice cylinders

Product Ref:	Function/description	Finishes
OG500.50	Rim Night Latch Cylinder	add suffix:
O2900.00	Single Screw In (Threaded) Cylinders	.00 for SB
* differ keys not included		.12 for NP



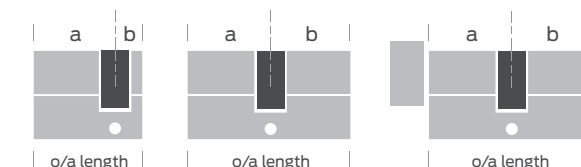
C2000 Keys and options

Product Ref:	Function/description
OG.KEY	C2000 Extra Servant (Differ) Keys Ordered Later
M.OG.D	C2000 Extra Servant (Differ) Keys Supplied with Order
M.OG.M	C2000 Master Keys
CI PASS	Keyed Alike Charge (Each Cylinder Side)

Cylinder sizes are stated in the tables above in the form:

Euro Double a/b (o/a length).

e.g. Euro Double 30/30(59mm overall)



75-29 - Basic Security and Masterkeying (Level 3)

In addition to the 6 conventional cylinder pins, the Briton 75-29 Series incorporates a unique 'check pin' with a small hook on its tip. The tip of the pin corresponds to the special undercut on the key profile. Only with the correct key inserted is the 'check pin' lifted clear and the cylinder is free to rotate.



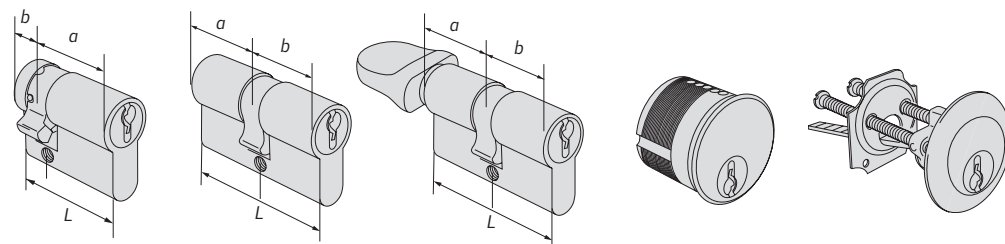
Patented key protection to 2029 - Performance Level 3

Principal Features & Benefits

- Level 3 Performance
- Key profile with patented technology which prevents unauthorised key duplication to 2029.
- Key blanks carry a lifetime warranty
- 'Through-cut' technology utilises a unique process to produce the patented undercut key design
- 6 pin tumbler system with additional 'check pin' for extra security
- Raised plug with unique slotted face for improved aesthetics
- Plug finish matches the cylinder body which is available in satin nickel, polished chrome and polished brass finishes to match most quality hardware ranges
- Thumbturn design provides an easy grip and is compatible with most hardware designs
- Backwards compatible with Briton 7500 Series
- Keys in brass alloy 2.2mm thick with nickel plated finish
- 3 keys supplied as standard

Primary options

- Multiple euro profile cylinder lengths
- Single cylinder / double cylinder / double cylinder with thumbturn
- Available in equal and offset sizes
- Rim and Rim Mortice cylinders also available
- Cylinders as standard are Keyed to Differ but are also available:
 - Keyed Alike
 - Masterkey system
 - Grand Masterkey system
- Available in Nickel Plated and Satin Brass finishes



Additional Functions

- Classroom function
- Construction keying
- Anti-barricade function

Testing & Certification

EN 1303:2005 compliant - Grade 6 Durability
 - Grade 5 Key Security
 - Grade 0 Attack Resistance

ICIM EN 1303:2005 16010C62

Full Declaration of Performance available from our website at:

www.britondops.co.uk



What's in the box?

- Cylinder
- Cylinder fixing screw
- 3 keys
- Operating & maintenance instructions

Briton - 75-29 Euro Profile Cylinders (Level 3)



Single cylinders

Key operation from one side only. Check cylinder length required.

Product Ref:	Function/description	Finishes
PXT45-K-ES40	Euro Single 30/10	add suffix:
PXT45-K-ES45	Euro Single 35/10	.00 for SB
PXT45-K-ES50	Euro Single 40/10	.12 for NP



Double cylinders - Equal sides

Key operation from both sides. Check cylinder length required.

Product Ref:	Function/description	Finishes
PXT45-K-ED60	Euro Double 30/30 (60mm Overall)	
PXT45-K-ED70	Euro Double 35/35 (70mm Overall)	add suffix:
PXT45-K-ED80	Euro Double 40/40 (80mm Overall)	.00 for SB
PXT45-K-ED45.45	Euro Double 45/45 (90mm Overall)	.12 for NP
PXT45-K-ED50.50	Euro Double 50/50 (100mm Overall)	



Offset Double cylinders - Unequal sides

Key operation from both sides. Check cylinder length and offset required.

Product Ref:	Function/description	Finishes
PXT45-K-ED35.45	Euro Double 35/45 (80mm Overall)	
PXT45-K-ED40.45	Euro Double 40/45 (85mm Overall)	add suffix:
PXT45-K-ED40.50	Euro Double 40/50 (90mm Overall)	.00 for SB
PXT45-K-ED40.55	Euro Double 40/55 (95mm Overall)	.12 for NP
PXT45-K-ED45.55	Euro Double 45/55 (100mm Overall)	



Double cylinder with thumbturn - Equal sides

Key operation from one side and thumbturn operation on the other. Check cylinder length required.

Product Ref:	Function/description	Finishes
PXT45-K-EST60	Euro Cylinder & Turn 30/30 (60mm o/a)	add suffix:
PXT45-K-EST70	Euro Cylinder & Turn 35/35 (70mm o/a)	.00 for SB
PXT45-K-EST80	Euro Cylinder & Turn 40/40 (80mm o/a)	.12 for NP

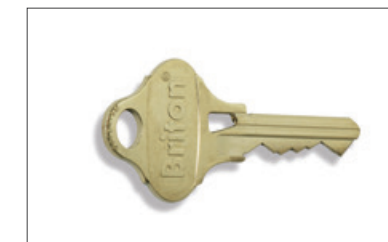
Please Note:

Briton 75-29 cylinders may also be ordered as part of a masterkeyed suite. Please contact us for further information.



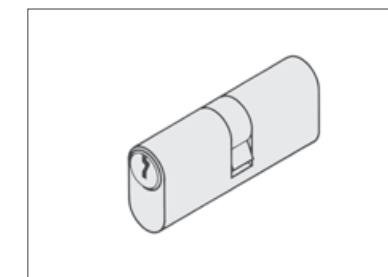
Rim cylinder

Product Ref:	Function/description	Finishes
PXT45-K-RC	Rim Night Latch Cylinder	add suffix: .00 for SB .12 for NP



Briton 75-29 Keys and options

Product Ref:	Function/description
75-29 PASS	75-29 Keyed Alike Charge
75-29.KEY	75-29 Key Supplied Later
75-29.KEY.M	75-29 Master Key Supplied Later
M.75-29.D	Briton 75-29 Differ Key Supplied With Order
M.75-29.M	Briton 75-29 Master Key Supplied With Order
M.75-29.BARRICADE	Anti Barricade Clutch Function
M.75-29.CLASSROOM	Classroom Clutch Function



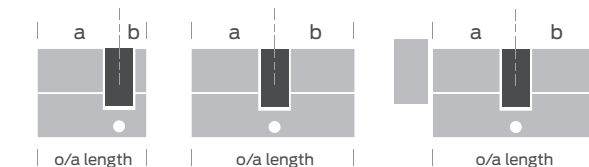
Please Note:

A range of oval cylinders is also available. Please contact us for further information.

Cylinder sizes are stated in the tables above in the form:

Euro Double a/b (o/a length).

e.g. Euro Double 30/30(60mm overall)



Security levels for commercial and residential applications.

Shackle type

The shackle is the u-shaped metal bar used to attach the lock to the hasp or chain. There are two styles of shackle shown below. When selecting your padlock it is important to consider the distance that you will have to secure the shackle into the lock. In principle, the shorter the shackle the less vulnerable the padlock is to attack. Consequently a closed shackle padlock will be more secure than a long shackle padlock.

Application

All our padlocks are suitable for indoor use, however for outdoor use we recommend using a laminated or marine grade padlock to reduce the risk of corrosion. Our marine grade padlock has been designed specifically for locations close to the sea and has undergone a 1000 hour salt spray test.

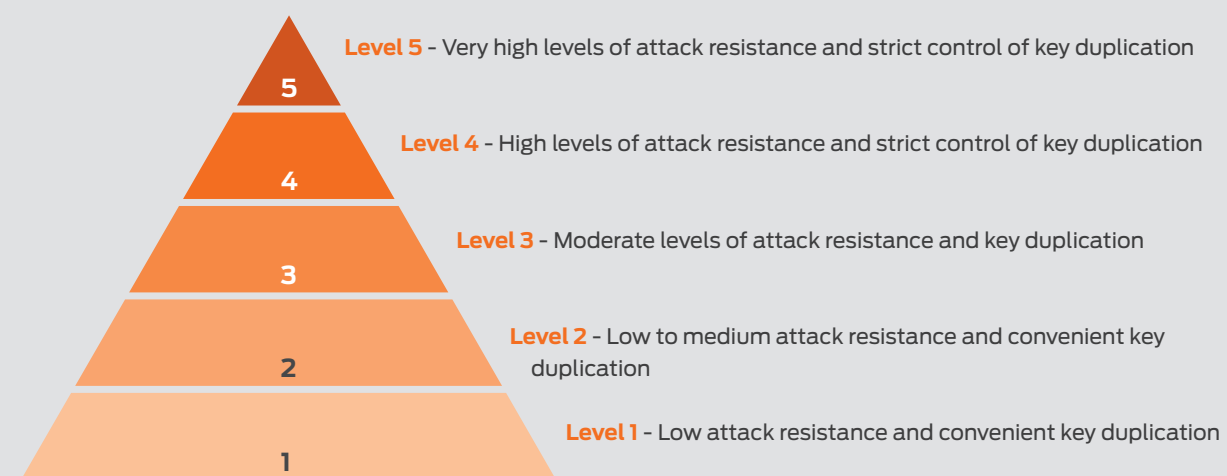


Slide Bolt

Open Shackle

Performance Levels

Our multi-level approach to cylinder security ensures there is a solution for all projects, door applications and budgets.



28000 Series - Hardened Steel



Hardened steel - Open shackle

- Performance Level 4
- Range of shackle lengths and thicknesses
- Steel bodies and hardened steel shackle
- Supplied with differ cylinder as standard
- 2 keys as standard



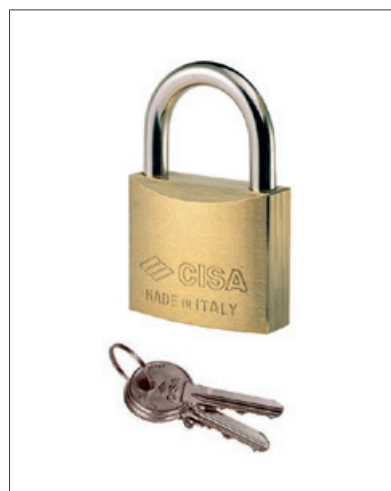
Hardened steel - Slide bolt

- Performance Level 5
- Range of shackle clearance and thicknesses
- Steel bodies and hardened steel slide bolt
- Supplied with differ cylinder as standard
- 2 keys as standard

Product Ref:	Function/description	Finishes
28050.55.0.SD	Open shackle 11mm - 55mm steel body - 25mm shackle clearance	
28050.56.0.SD	Open shackle 11mm - 55mm steel body - 45mm shackle clearance	
28050.57.0.SD	Open shackle 11mm - 55mm steel body - 65mm shackle clearance	
28050.70.0.SD	Open shackle 14mm - 70mm steel body - 25mm shackle clearance	
28050.71.0.SD	Open shackle 14mm - 70mm steel body - 45mm shackle clearance	
28050.72.0.SD	Open shackle 14mm - 70mm steel body - 65mm shackle clearance	NP
28550.66.0.SD	Slide bolt shackle 10mm - 66mm steel body - 20mm bolt gauge/11mm shackle clearance	
25550.67.0.SD	Slide bolt shackle 14mm - 66mm steel body - 18mm bolt gauge/17.5mm shackle clearance	
28550.75.0.SD	Slide bolt shackle 12mm - 75mm steel body - 27mm bolt gauge/13.5mm shackle clearance	
28550.84.0.SD	Slide bolt shackle 12mm - 84mm steel body - 36mm bolt gauge/17.5mm shackle clearance	
28550.85.0.SD	Slide bolt shackle 14mm - 84mm steel body - 36mm bolt gauge/17.5mm shackle clearance	

See page 146 for a series of accessories suitable for use with this range of padlocks

22000 Series - Brass Body Padlocks



Brass bodied - Open shackle

- Performance Level 2
- Range of shackle lengths and thicknesses
- Brass bodies and hardened steel shackle
- Satin brass finish with nickel plated shackle
- Available as standard differ or keyed alike
- 2 keys as standard

Product Ref:	Function/description	Finishes
22010.30.0.SD	Open standard shackle 5mm - 30mm brass body - 17mm shackle clearance	
22010.30.0.KA	Open standard shackle 5mm - 30mm brass body - 17mm shackle clearance	
22010.40.0.SD	Open standard shackle 6mm - 40mm brass body - 23mm shackle clearance	
22010.40.0.KA	Open standard shackle 6mm - 40mm brass body - 23mm shackle clearance	SB & NP
22010.50.0.SD	Open standard shackle 8mm - 50mm brass body - 27.5mm shackle clearance	
22010.50.0.KA	Open standard shackle 8mm - 50mm brass body - 27.5mm shackle clearance	
22010.60.0.SD	Open standard shackle 10mm - 60mm brass body - 37.5mm shackle clearance	
22010.60.0.KA	Open standard shackle 10mm - 60mm brass body - 37.5mm shackle clearance	

Product Ref:	Function/description	Finishes
22011.30.0.SD	Open long shackle 5mm - 30mm steel body - 24mm shackle clearance	
22011.30.0.KA	Open long shackle 5mm - 30mm steel body - 24mm shackle clearance	
22011.40.0.SD	Open long shackle 6mm - 40mm steel body - 40mm shackle clearance	
22011.40.0.KA	Open long shackle 6mm - 40mm steel body - 40mm shackle clearance	SB & NP
22011.50.0.SD	Open long shackle 8mm - 50mm steel body - 80mm shackle clearance	
22011.50.0.KA	Open long shackle 8mm - 50mm steel body - 80mm shackle clearance	

Product Ref:	Accessories	Finishes
KA.CSPEC.SGL	Keyed Alike charge to customer specification	N/A
KA.STD.SGL	Keyed Alie charge - Standard	

21000 Series - "Logo Line" Padlocks



Marine grade padlocks

- Performance Level 2
- Exceptional level of corrosion resistance
- Range of shackle lengths and thicknesses
- Chrome plated brass body
- Stainless steel shackle
- Double locking shackle
- Patented anti-tamper, anti-pick protection
- 2 keys as standard

Product Ref:	Function/description	Finishes
21710.30.0.SD	Logo Line Marine Grade - Open shackle 4.75mm - 29mm body - 13.8mm shackle clearance	
21710.40.0.SD	Logo Line Marine Grade - Open shackle 6.35mm - 40mm body - 22.5mm shackle clearance	SCP
21710.50.0.SD	Logo Line Marine Grade - Open shackle 7.14mm - 50mm body - 26mm shackle clearance	
21710.60.0.SD	Logo Line Marine Grade - Open shackle 7.94mm - 60mm body - 32.2mm shackle clearance	

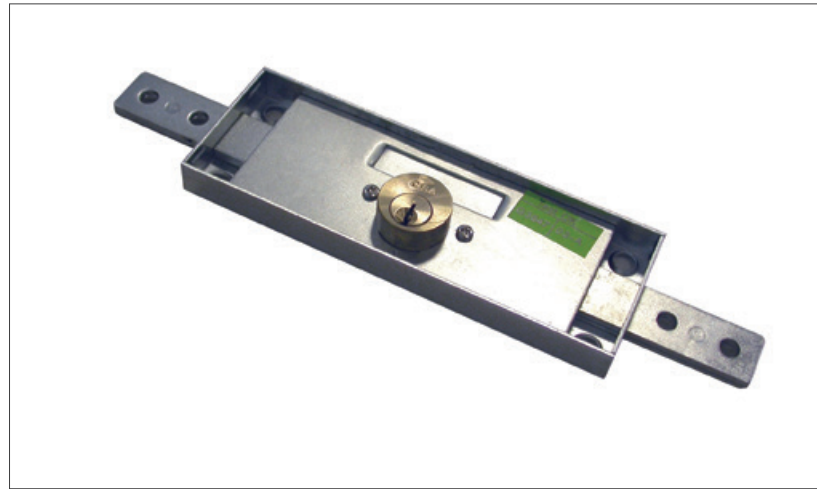


Logo Line padlocks

- Performance Level 3
- Sliding bolt design
- Brass bodies and hardened steel shackle (21610) or hardened steel sleeve (21810)
- Satin brass, polished brass and nickel plated finishes
- 2 keys as standard

Product Ref:	Function/description	Finishes
21610.50.0.SD1	Slide bolt shackle 7.94mm - 52mm body - 15mm bolt gauge/13.5mm shackle clearance	
21610.63.0.SD1	Slide bolt shackle 10mm - 63mm body - 19mm bolt gauge/14mm shackle clearance	
21610.70.0.SD1	Slide bolt shackle 12mm - 70mm body - 22mm bolt gauge/13.5mm shackle clearance	SB; PB; SNP
21610.90.0.SD1	Slide bolt shackle 12mm - 90mm body - 35mm bolt gauge/18.2mm shackle clearance	
21810.65.0.SD1	Slide bolt shackle 10mm - 66mm body - 33mm bolt gauge/14mm shackle clearance	
21810.80.0.SD1	Slide bolt shackle 12mm - 77.1mm body - 37mm bolt gauge/17mm shackle clearance	

41000 Series - Shutter Locks



Roller shutter locks

- Performance Level 1
- Lock is operated by key from inside and outside
- Zinc plated case
- Supplied as standard differ
- 2 keys as standard

Product Ref:	Function/description	Finishes
41510.78.0.SD	Roller shutter lock - Central application	
41525.78.0.SD	Roller shutter lock - Pair for right hand/left hand application	
41525.78.1.SD	Roller shutter lock - Right hand/left hand application	NP; PB
41525.78.2.SD	Roller shutter lock - Right hand/left hand application	
41526.78.0.SD	Roller shutter lock - Pair for right hand/left hand application	

See page 146 for a series of accessories suitable for use with this range of padlocks

Padlocks - Accessories

Product Ref:	Function/description	Finishes
2649.01 SD	Replacement C2000 cylinder c/w padlock drill resistant plate for 28050.55, 28050.70, 28550	
7586.04 SD	C2000 hardened steel cylinder protection plate For 28050.55	
7586.05 SD	C2000 Hardened steel cylinder protection plate For 28050.70	N/A
7586.08 SD	Astral Hardened steel cylinder protection plate For 28050.55	
7586.09 SD	Astral Hardened steel cylinder protection plate For 28050.70	
0A610.00 0	Replacement Astral cylinder c/w padlock drill resistant plate for 28050.55, 28050.70, 28550	
6300.14.0	Steel Padlock Hasp Set	SV
6300.18.0	Steel Padlock Hasp Set	SV
6301.50.0	Hardened Steel Gate Tie 50mm Wide	SV
6301.60.0	Hardened Steel Gate Tie 60mm Wide	SV
6302.25.0	Hasp for Rolling Shutter Doors with Removable Dust Cover	SV
6302.60.0	Hasp for Rolling Shutter Doors	SV

Schlage Security - Vehicle Padlock & Hasp



Vehicle security

- Performance Level 4
- Designed for use in high risk areas
- Hardened steel shackle resists prying and sawing attack
- Padlock & hasp designed to be used in conjunction

Product Ref:	Function/description	Finishes
720018855156	Security hasp	SV
720018855101	Shackle-less padlock for use with security hasp	SV

Designed to provide immediate escape, first time, every time.

When lives may depend on an exit device we feel we have a responsibility to design and test our products to exceed all current performance and safety standards, ensuring they will operate first time, every time.

The Briton 560, 570 and 580 Series has been designed to offer modular solutions to panic exit applications which require multi-point latching with a superior and refined aesthetic, designed and manufactured in Italy.

The Briton 376 Series is designed to provide immediate escape and still incorporates all the features and benefits expected from an exit device that is branded Briton.

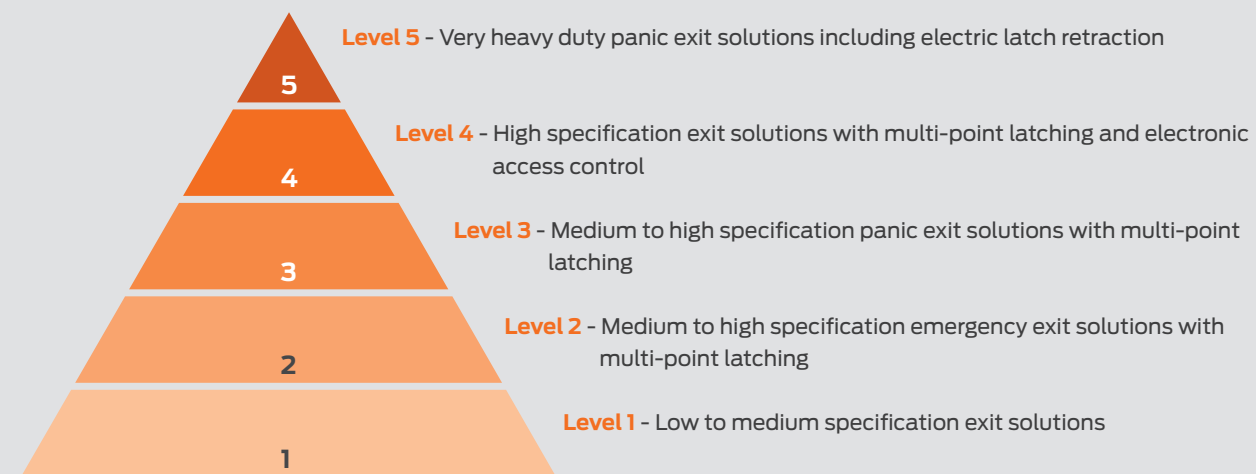
Our Von Duprin exit devices provide solutions for very heavy duty applications. The robust construction not only satisfies the requirements of EN 1125 for CE marking but has passed the stringent testing necessary for approval to ANSI A156.3 and UL listing.

The Briton and Von Duprin ranges, comprising the following variants, are fully compliant with EN 1125 or EN 179, are CE marked to the latest standards and come complete with a 5 year guarantee:

- Vertical panic bolts
- Reversible rim panic latches
- Mortice panic nightlatches
- Push pad vertical bolts
- Reversible push pad rim panic latches
- Push pad mortice nightlatches
- Motorised touch bar panic exit solutions

Performance levels

Our multi-level approach to panic and emergency hardware ensures there is a solution for all projects, door applications and budgets.



Types of exit hardware

Whilst there are several forms of exit device permitted, the basic premise remains the same in that the device must provide immediate escape with a single operation and not require a key.

- A** Touch bar device
- B** Push bar device
- C** Touch bar device used to operate a mortice nightlatch
- D** Push bar device with multi point latching
- E** Touch bar device with multi point latching
- F** Push pad device with vertical bolts
- G** Push pad device with rim latch
- H** Emergency exit solutions may also be achieved using escape locks and lever furniture. Please see the lockcase section of this catalogue for further information.



Which system to choose

Having first determined whether the application requires a panic or emergency exit solution (see page 151) there are a number of additional considerations which will determine the most appropriate product.

These could include:

- Aesthetic considerations - push bar or touch bar (see opposite)
- Designed to satisfy EN standards
- Single point or multi-point latching for security (see below)
- Frequency of use may require a heavy duty solution
- Additional features such as hold-back or alarm connection
- Optional outside access device for external entry

Single or multi-point security

Both panic and emergency exit solutions are available as rim devices providing a single central latch point or with latching points at the top and bottom of the door. The modular nature of the Briton 560 - 570 Series allows you to build a solution which is tailored specifically to the needs of your door providing up to 4 latching points on a single door.



Panic or Emergency?

It is mandatory for all exit devices to comply with the latest revisions of EN 1125 or EN 179 and CE marking.

All Briton 560, 570, 580 and 376 Series exit devices have been tested and certified to prove compliance with the latest standards EN 1125 & EN 179 which govern the application of panic and emergency exit hardware, but which standard applies to which application, and what determines which one I need?

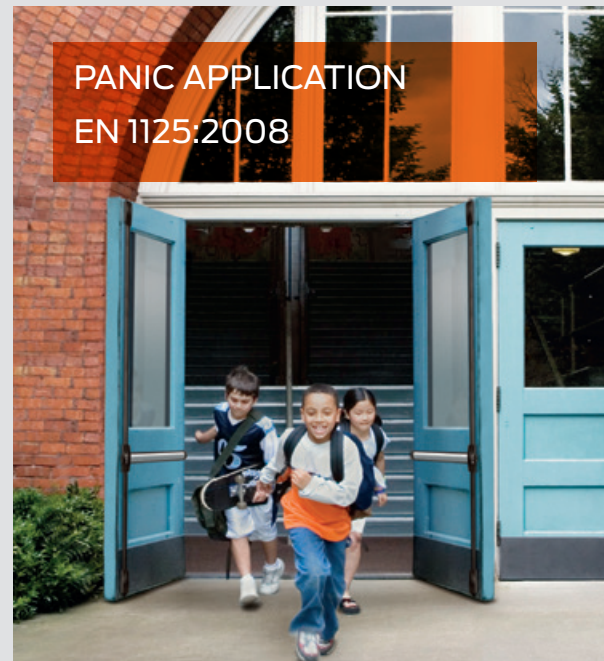
Panic Applications - Conforming to EN 1125

A 'panic' application is where the exit door is used by members of the public and must provide "safe and effective escape through the doorway with minimum effort and without prior knowledge of operation".

Typical applications include:

- Shops
- Schools
- Hospitals
- Theatres and Cinemas

According to EN1125 the length of the panic exit device should be as near as possible the effective width of the opening and not less than 60% of the width of the opening.



Emergency Applications - Conforming to EN 179

An 'emergency' application is where the exit door is in a low occupancy environment and will only be used by trained personnel, such as in a place of work never accessed by the public or people unfamiliar with the escape drill.

Typical applications include:

- Offices
- Private Flats & Apartments
- Store Rooms & Boiler Rooms

Products used in emergency applications require only a single point of operation e.g. pushpads or levers.



EN 1125 & EN 179

Physical characteristics of type, operation and performance of hardware for use on panic and emergency exit doors is tested/assessed in accordance with EN 1125 and EN 179. This produces a 10 digit classification code which allows comparison between different products that conform to the standard. The testing and assessment criteria are the same for both standards, with the exception of digit 9 which identifies different types of operation between the 2 standards. This is shown in the example below.

	Scope	Grades
3 3	Category of use Defines frequency of use	Grade 3 - High frequency of use by public or others with little incentive to take care and with a high chance of misuse - eg. public doors
7 6-7	Durability Performance testing of the product through various cycle tests.	Grade 6 - 100,00 test cycles Grade 7 - 200,00 test cycles
6 5-7	Door mass & closing force The mass of the door that the product can suitably be used on	Grade 5 - Doors up to 100kg Grade 6 - Doors up to 200kg Grade 7 - Doors over 200kg
B 0/A/B	Suitability for fire/smoke doors Suitability for use on fire/smoke door assemblies having successfully completed a fire test to EN 1634.	Grade 0 - Not suitable for fire/smoke door assemblies Grade A- Suitable for smoke door assemblies Grade B - Suitable for fire/smoke door assemblies
1 1	Safety Safety category for the product type	Grade 1 - All panic and emergency exit devices have a critical safety function. Only Grade 1 is identified.
3 3-4	Corrosion resistance Level of corrosion resistance to EN 1670 Neutral Salt Spray test and operation of the product at extreme temperatures	Grade 3 - High resistance 96 hour salt spray at -20 °C to +80 °C Grade 4 - Very high resistance 240 hours salt spray at -20 °C to +80 °C
2 2-5	Security Tests the ability to release under side load	Grade 2 - Up to 1000N (EN 1125 & EN 179) Grade 3 - Up to 2000N (EN 179 only) Grade 4 - Up to 3000N (EN 179 only) Grade 5 - Up to 5000N (EN 179 only)
2 1-2	Projection of device Classifies how far the operating mechanism projects from the door face	Class 1 - Projection up to 150mm Class 2 - Projection up to 100mm
A A/B	Type of operation Defines the type of operation Note: EN 1125 and EN 179 have specific operating types	EN 1125 Type A - 'push bar' operation Type B - 'touch bar' operation EN 179 Type A - 'lever handle' operation Type B - 'push pad' operation
A A-C	Field of door application Configuration of doors which the unit will satisfy	Class A - Single/double door, active or inactive leaf Class B - Single door only Class C - Double door only, inactive leaf only Class D - Single door, inward opening (EN 179 only)

CE

It is mandatory for manufacturers to mark all panic and emergency exit devices with the new CE classification to prove compliance with the latest standards.

To be sure exit hardware meets the CE mark criteria it should meet all of the requirements listed below:

1. - CE certificates are readily available for inspection.
2. - Products are regularly tested within an accredited testing facility as part of an ongoing audit test programme.
3. - Products are manufactured on a production line that has been inspected and accredited under FPC (Factory Process Control) conditions, a further requirement of the CE marking process. This ensures that correctly specified materials and manufacturing methods are consistently employed.
4. A Declaration of Performance is available providing information on the performance of the product.



Testing and CE Marking

Rigorous testing is continually being carried out on the Briton range of exit hardware providing peace of mind for specifiers, distributors, installers and users.

Low operating force

Repeatedly tested to operate at 50% lower than the standard requirement, ensuring that the door can be operated with minimum force, for example by small children, the elderly and people with special needs.

Two tests are undertaken. The first is to operate the door with a maximum force of 80 Newtons.

The second test simulates a panic situation whereby the door is put under 1000 Newton pressure to simulate a group of people pushing against the door.

The operating force on the device with this weight should not exceed 220 Newtons.

Abusing the push bar

The push bar is attacked with a force equivalent to a 16 stone man (1000 Newtons) pulling/pushing it in all directions and standing on it, after which the bar must still operate.

Cycle testing

All Briton panic devices exceed the highest requirement of 200,000 cycles, ensuring durability for everyday use.

The finger trap test

To reduce the risk of trapping fingers and/or the blocking of the panic device, any gap shall not trap a test rod of 10mm dia. at any position of the bar travel during the operation of the panic device.

Abusing the bolt

Testing the bolt strength involves the equivalent of the combined strength of 4 people trying to pull the bolt away from the door.

An attempted break-in is simulated to test the security of the bolt, force is applied to the anti-thrust device as if the bolt were being 'jimmied' out of its socket.

Corrosion resistance

A test which measures how suitable the exit device is for varying environmental conditions. All Briton exit hardware has been tested to EN 1670 Building Corrosion Requirements and has achieved at least grade 3 (high resistance) and the Briton 560-570 Series grade 4 (very high resistance). This ensures the product will function correctly in wet, polluted and exterior environments. Note, EN 1670 test does not relate to the finish.

A guide to specifying panic and emergency exit hardware

Which system to choose

Having first determined whether the application requires a panic or emergency exit solution there are number of additional considerations which will determine the most appropriate product. These could include:

- Aesthetic considerations - push bar or touch bar
- Designed to satisfy ANSI or EN standards
- Single point or multi-point latching for security
- Frequency of use may require a heavy duty solution
- Additional features such as hold-back or alarm connection
- Use of electric latch retraction to allow the use of electronic access control for external access
- Outside access device for external entry by key or digital code

	LEVEL 4 Panic Exit	LEVEL 3 Panic Exit	LEVEL 3 Panic Exit	LEVEL 1 Panic Exit	LEVEL 1 Panic Exit	LEVEL 2 Emergency Exit	LEVEL 1 Emergency Exit	LEVEL 1 Emergency Exit
Series	Briton 571EL	Briton 570 Series	Briton 560 Series	Briton 376	Briton 378	Briton 581	Briton 372	Briton 1438
Description	Modular panic exit hardware system	Modular panic exit hardware system	Modular panic exit hardware system	Regular panic exit hardware	Regular panic exit hardware	Modular emergency exit hardware system	Regular emergency exit hardware	Regular emergency exit hardware
Touch bar operation	■	■						
Push bar operation			■	■	■			
Push pad operation						■	■	■
CE marked to EN 1125	■	■	■	■	■			
CE marked to EN 179						■	■	■
Approved to ANSI A156.3								
Rim latch device	■	■	■		■	■		■
Vertical bolt device	■	■	■	■		■		
Mortice nightlatch option		■			■	■		
Electric latch retraction	■							
No. of latching points	1 to 5	1 to 5	1 to 5	2	1	1 to 5	2	1
No. of test cycles	200,000	200,000	200,000	200,000	200,000	200,000	200,000	200,000
Certified for use on fire doors	Suitable for use on timber fire doors up to 2hr*			Suitable for use on timber fire doors up to 2hr**				
Suitable for single doors	■	■	■	■	■	■	■	■
Suitable for double doors	■	■	■	■	■	■	■	■
Typical applications	Medium to high end commercial applications	Medium to high end commercial applications	Medium to high end commercial applications	General contract applications	General contract applications	Medium to high end commercial applications	General contract applications	General contract applications

* Please note: when used in conjunction with a mortice lock, application is limited to a 1 hour fire rating

** Please note: when fitted with an outside access device (OAD) or when used in conjunction with a mortice lock, application is limited to a 1 hour fire rating

570 Series – Modular Panic Exit Solutions

Briton 570 panic exit devices have been designed to offer modular solutions for mid to high end specification, providing a combination of style, safety and optimum security. The low projection touch bar device can be used independently to provide single point latching or with additional optional modular locking elements to provide multi-point latching.

The Briton 570 Series is a technologically advanced system and with proven performance and reliability it is suitable for all heavy traffic applications.



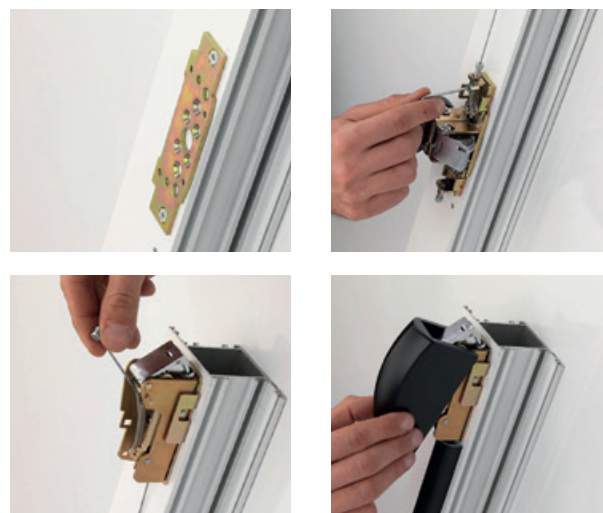
Primary options

The modular nature of the Briton 570 Series requires a number of options to be selected. Options include:

- Select optional pullman latch kits for top/bottom/side and intermediate latch positions for multi-point latching
- 571.EL unit available with electric latch retraction for use with access control for external access (see page 162)
- 570 also available to operate mortice nightlatch
- Available in a range of finishes - see page 176
- Protective anti-bacterial coating applied as standard
- Optional hold-back and alarm functions

Principal Features & Benefits

- Robust construction
- Suitable for doors with a minimum clear opening width down to 500mm. This can be reduced to 350mm where side latches are not required.
- Unique assembly which reduces installation time by as much as 50%
- Easy-to-use self adhesive Accufit templates and backplates for panic devices and pullman latches
- Units can be cut down on-site to suit door width
- Patented Fast-Fix cable system replaces conventional vertical rods connecting operating units and pullman latches
- Fine adjustments of the cable system are possible in-situ for maximum accuracy during installation
- Quick and simple snap on covers



Touch bar

At the heart of the system is the low projection Touch Bar activation device. Each device can be used on its own to provide single point latching or with the addition of universal pullman latches for multi-point latching.

Pullman latch kits

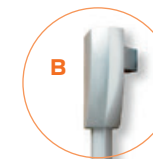
Pullman latches provide a smooth and quiet closing action, ideal for interconnecting doors in highly populated areas.

Available as top/bottom or side acting latches where installation of the striker to the floor is not practical.

In all cases the pullman latch is connected to the Touch bar activation device using a stainless steel cable which is fully concealed beneath extruded cover channels.



Additional side pullman latches (right) can be added to the system. These can be used at any position above or below the activation device to produce 4 point latching on a single door.



A - Top Pullman

B - Upper Side Pullman



C - Bottom Pullman



D - Lower Side Pullman

Security

The anti-thrust device in the latch and pullmans prevents unauthorised retraction of the latches. This provides a high level of security from outside particularly when combined with multi-point latching.

Testing & Certification

CE marked to EN1125 (AAA1588)

Fire tested to EN1634 on timber doors to achieve a 2 hour fire rating.

Full Declaration of Performance available from our website at:

www.britondops.co.uk



What's in the box?

- Touch bar panic operator
- Accufit template and mounting backplate
- Standard strike plate for single rim latch
- Fixing pack
- Installation instructions

** Pullman latch kits are to be ordered separately

570 Series - Modular Touch Bar Exit Solutions



571.1 and 571.2
One Point Latching



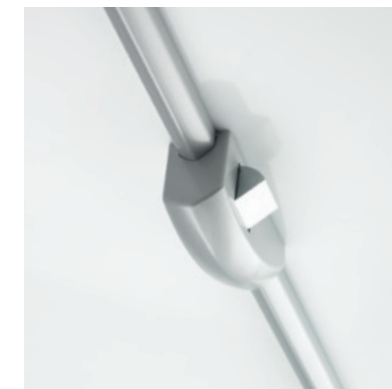
571 + 574.V
Two*/Three Point Latching
* central latch can be disabled during installation



571 + 574.S
Two*/Three Point Latching
* central latch can be disabled during installation



571 + 574.VS.R (handed)
Two*/Three Point Latching
* central latch can be disabled during installation



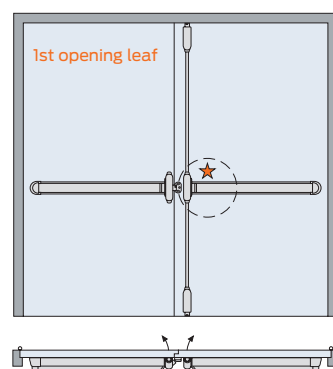
Briton 574.AS additional side pullman latches can be added to any of the systems to provide an additional latching point.



A range of components is available to provide additional functionality to the Briton 570 Series. Refer to page 165 for further details.

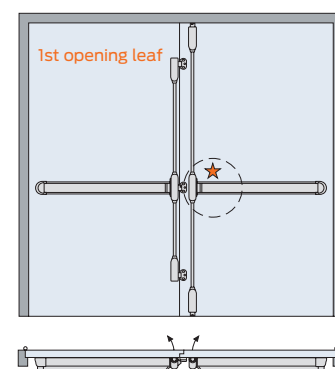
Briton 570 Series - Double door applications

3 point latching - rebated doors



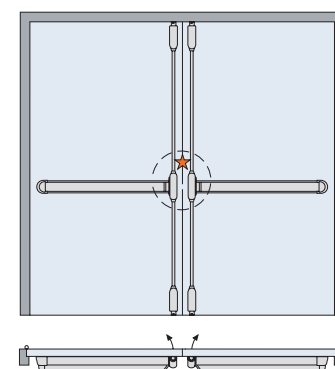
Part No.	Part No.
Briton 571*	Briton 571*
	Briton 574.V

5 point latching - rebated doors



Part No.	Part No.
Briton 571*	Briton 571*
Briton 574.S	Briton 574.V

4 point latching - non rebated doors



Part No.	Part No.
Briton 571*	Briton 571*
Briton 574.V	Briton 574.V

* Specify 571.1 for 1200mm wide and 571.2 for 840mm wide doors

Finishes

Briton 570 exit hardware is available in a choice of finishes with options for the push bar and optional pullman latch kits. Please see page 176 for further information.



Outside Access

A series of outside access devices is available for use with any of the Briton 570 Series exit devices. They provide a simple means of accessing the door from the outside by cylinder or digital push button code lock.

Please see page 177 for detailed information.



573.N - Touch Bar Exit Solution with Mortice Nightlatch



Briton 573.N is a touch bar panic exit operator designed specifically for use with the mortice nightlatch supplied.

Features & Benefits

- Fully compliant with EN 1125 and CE marked
- Supplied with cylinder mortice nightlatch with anti-thrust feature to prevent manipulation of the latch when the door is closed
- Nightlatch accepts euro profile or oval profile cylinders (not supplied)
- Complete with steel box striker
- Alarm micro switch option available
- Reversible on site for left or right hand doors
- Touch bar and vertical cable covers can be cut on site to suit door width and height
- Grip function on touch bar to allow the door to be pulled closed
- Touch bar device is available in 2 lengths to suit doors up to 840mm and 1200mm wide
- Suitable for doors with a minimum clear opening width down to 500mm. This can be reduced to 350mm where side latches are not required

573.N.1 and 573.N.2

Mortice Nightlatch

571.EL - Electromechanical Exit Device

The Briton 571 EL electronic panic exit device combines the mechanical features and benefits of the standard 570 Series touch bar panic exit hardware with electronic motorised control.

It presents innovative methods for opening doors, selecting access rights, providing open control, freedom and flexibility, including hierarchical authority and timings.



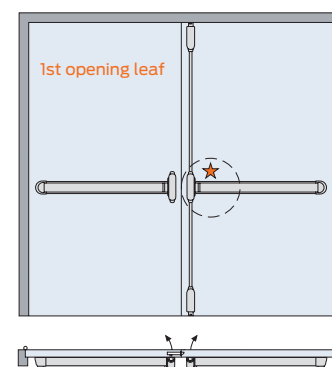
Features & Benefits

- Fully compliant with EN 1125 and CE marked
- Non handed
- Suitable for doors from 1200 mm to 600 mm (with the same device)
- Suitable for use also with existing access control system
- Warning buzzer
- Timed latch withdrawal after opening, adjustable from 3 to 30 second
- Electronic dogging possible
- Protective anti-bacterial coating applied



Briton 573.N - Double door applications

Two point latching



★ The latch must be disabled when used as part of this double door configuration.

Part No.	Part No.
Briton 573.N.1 or 573.N.2	Briton 571.1 or 571.2
	Briton 574.V

Specify 573.N.1 for 1200mm wide or 573.N.2 for 840mm wide doors

The Briton 571 EL electronic panic exit device can be integrated with a wide range of electronic access control systems including the SimonsVoss and CISA access control options. This provides convenient and controlled access from the outside by pin code or contactless proximity reader, transforming emergency exit doors into effective "smart" entrances.

It is ideal for high footfall buildings such as schools, offices and hospitals, where many employee and staff entrances will also be one of the fire exits the building.

Technical Features

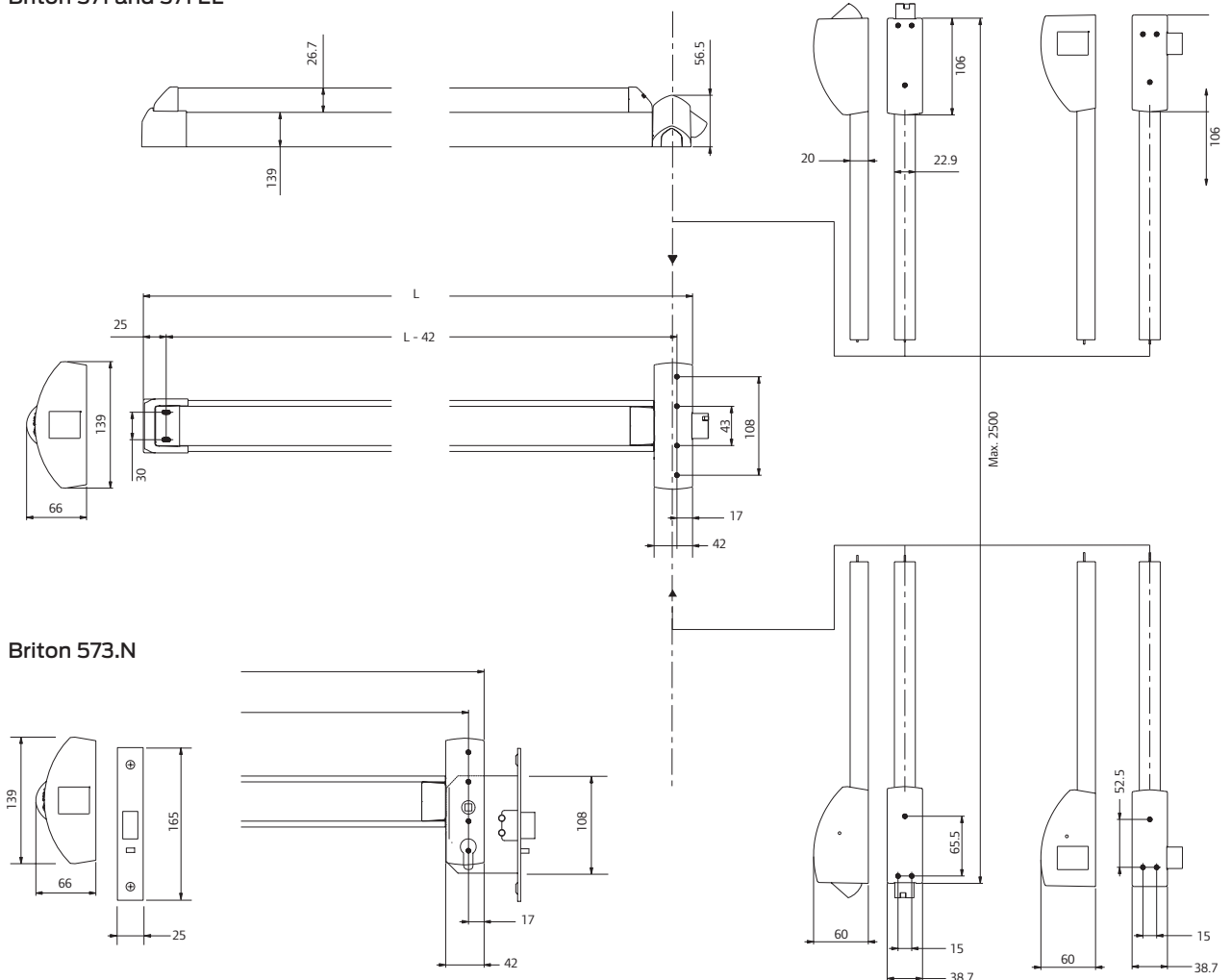
- Low power usage
- Power supply AC 12-20V (50/60 Hz), DC 12-24V
- Absorbed current (max) 1.5 A (12Vdc)
- Absorbed current (stand by, OUT1-OUT2 not connected) 5mA (12Vdc)
- Length of connecting cable 4 m
- Degree of protection IP20
- Operating temperature: -10 - +50°C
- Recommended power supply equal to or above 15 VA (not provided)



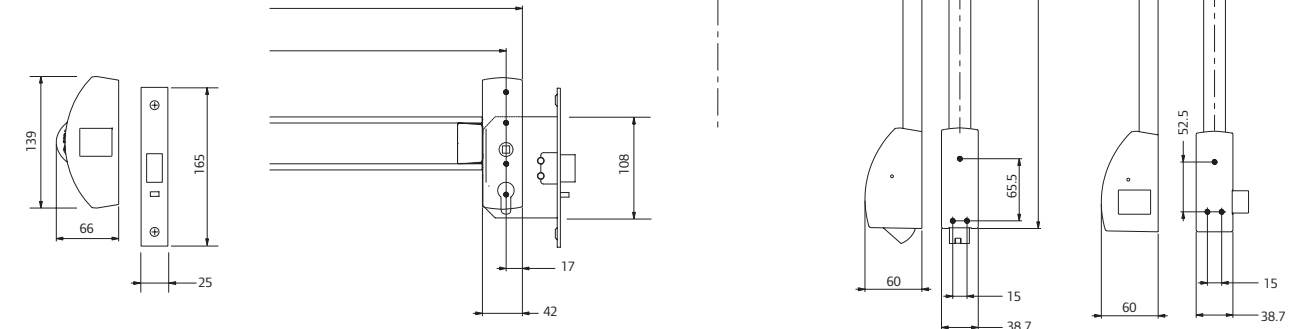
570 Series - Modular Push Bar Exit Solutions

Device Type	571.1 & 571.2	573.N.1 & 573.N.2	571.EL	574.V	574.S	574.VS.L	574.VS.R	574.AS
Panic exit device to EN 1125	■	■	■					
Suitable for use with pullman latch kits	■		■					
Single point latching	■	■	■					
Min./Max. door width (mm)	500 1300	500 1300	500 1300	n/a	n/a	n/a	n/a	n/a
Max. door height (mm)	n/a	n/a	n/a	2500	n/a	2500	2500	n/a
Pullman latch kit top/bottom				■				
Pullman latch kit side acting					■			■
Pullman latch kit - combination top/side						■	■	
Features								
Motorised latch retraction			■					
Mortice nightlatch operation		■						
Touch bar/push bar cut on-site	■	■	■					
Fast-Fix cable system				■	■	■	■	■
Vertical cable cover cut on-site				■	■	■	■	■
Self handed	■	■	■	■	■			■
Handed - specify when ordering						■	■	
Alarmed (accessory)	□		□					
Dogged hold-open facility (accessory)	□		□					
CE Classification								
377B1422BA	■	■	■					

Briton 571 and 571 EL



Briton 573.N



all dimensions are in mm

Construction

The main and end casings are steel components, mounted on a steel chassis and covered by a precision zinc die-cast cover.

The steel latch is activated by an extruded aluminium touch bar enclosed in an extruded aluminium channel.

Locking kits (574.V/574.S/574.VS/574.AS)

The locking points are constructed of steel components mounted on a steel chassis incorporating a steel latch. Connection to the push bar or touch bar device is via an adjustable stainless steel cable concealed by an extruded aluminium cover.

Fixing/installation

These surface mounted devices come complete with easy to follow pictorial fixing instructions. Self adhesive Accufit templates ensure accurate installation of backplates for mounting the operating mechanism and pullman latches. Mechanisms are clamped onto the backplates. Flexible steel cables connecting the operating mechanism to the pullman latches require no measuring and adjustment screws in the main unit allow for fine adjustments. Clip on covers to the main unit and pullmans complete the installation.

The devices are supplied with adjustable strikers with packers to ensure continued optimum performance.

Fixing and maintenance instructions must be passed on to the user upon completion of installation.

Product Ref:	Description	Finishes
571.1	Touch bar exit device for doors from 840 to 1200mm wide	
571.2	Touch bar exit device for doors from 500 to 840mm wide	SE; SES; SS; SSS; PS;
573.N.1	Touch bar exit device with mortice nightlatch - for doors from 840 to 1200mm wide	PB;
573.N.2	Touch bar exit device with mortice nightlatch - for doors from 500 to 840mm wide	
571.1.EL	Touch bar exit device with motorised latch retraction for doors from 840 to 1200mm wide	SE; SES; SSS
571.2.EL	Touch bar exit device with motorised latch retraction for doors from 500 to 840mm wide	
574.S	Pullman latch kit with upper and lower side acting latches - suit left and right hand doors	
574.VS.L	Pullman latch kit with one top and one lower side acting latch - left hand	
574.VS.R	Pullman latch kit with one top and one lower side acting latch - right hand	SE; BM; SS
574.V	Pullman latch kit with upper and lower vertical acting latches - suit left and right hand doors	
574.AS	Additional side acting pullman latch kit - can be inserted above or below the exit device	

570 Series - Accessories

Access Control Accessories - For Briton 571.EL only

The Briton 571 EL can be used in conjunction with CISA and SimonsVoss access control systems with the PinCode keypad, transponder or card reader as the electronic key.

SV.MK.TRA.PINCODE

MobileKey PinCode Keypad



SV.MK.SREL2.ZK.G2.W

MobileKey Digital SmartRelay



06525-75-0

CISA Access Control Keypad



SV.MK.TRA2.G2

Transponder



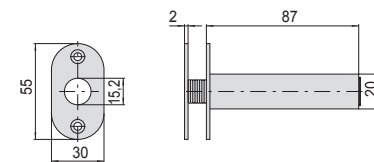
SV.MK.CD.STARTER.G2

MobileKey USB programming device



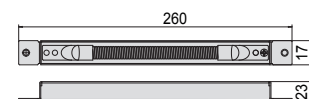
06515-00-0

CISA Concealed Door Spring



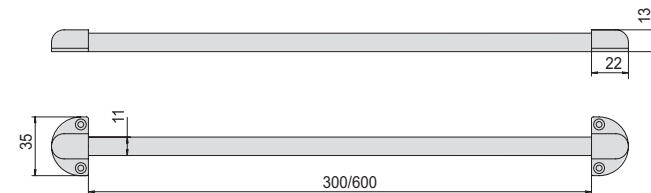
06515-15-0

CISA Concealed Door Loop - 260mm



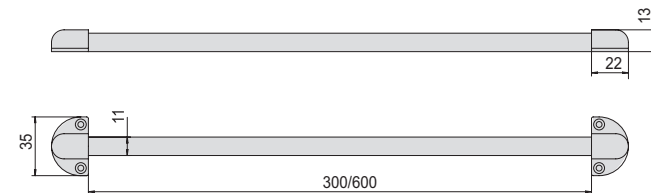
06515-20-0

CISA Door Loop - 300mm



06515-21-0

CISA Door Loop - 600mm



Briton 576.RE

The top rod extension kit is designed for use on doors that require the push bar to be in a lower position e.g schools. It can also be used on doors up to 3350mm high, however doors over 2500mm high are outside the scope of EN 1125.

Finish: silver or matt black



Alarm switch kits

Allow standard models to be connected to electronic audio/visual alarm or door control systems giving immediate notification when the panic device is operated.

The switch is mounted in the end box of the standard panic operator.



576.AK

Alarm switch kit for all Briton 570 Series devices

Dogging device (hold-open) kits

These units allow standard models to be upgraded to permit free access when required.

The manual hold-open function is operated by a key and holds all latches in the withdrawn position.



576.DK

Dogging device kit (not suitable for Briton 573.N)



Briton 574.STE

Easy clean socket for use with lower pullman



Briton 574.STP

Adjustable strike for use with top or side pullmans fitted to PVCu frames with a projection of 14 - 24mm.

Product Ref:	Accessories	Finishes
576.RE	Extension for top pullman to suit doors up to 3350mm (not covered by CE) - for all 570 Series	SE: BM; SSS-PVD
576.AK	Alarm kit for Briton 570 touch bar device - for all 570 Series	n/a
576.DK	Dogging kit to hold the latch(es) in the retracted position - not suitable for 573.N	SE: BM
574.STE	Easy clean floor socket for bottom pullman - for all 570 Series	BM
574.STP	Strike for use with PVCu frames - suits top or side pullman latches - for all 570 Series	BM
SV.MK.CD.STARTER.G2	MobileKey USB programming - For use with Briton 571.EL units only	
SV.MK.TRA.PINCODE	MobileKey PinCode keypad - For use with Briton 571.EL units only	
SV.MK.TRA2.G2	MobileKey transponder - For use with Briton 571.EL units only	
SV.MK.SREL2.ZK.G2.W	MobileKey Digital SmartRelay - For use with Briton 571.EL units only	
06515-00-0	Access control keypad - For use with Briton 571.EL units only	
06515-15-0	Concealed door spring	
06515-20-0	Concealed door loop to transfer power cable from 571.EL to door frame	
06515-21-0	Surface door loop (300mm) to transfer power cable from 571.EL to door frame	
06525-75-0	Surface door loop (600mm) to transfer power cable from 571.EL to door frame	

560 Series – Modular Panic Exit Solutions

Briton 560 panic exit devices have been designed to offer modular solutions for mid to high end specification, providing a combination of style, safety and optimum security. The push bar device can be used independently to provide single point latching or with additional optional modular locking elements to provide multi-point latching. The Briton 560 Series is a technologically advanced system and with proven performance and reliability it is suitable for all heavy traffic applications.

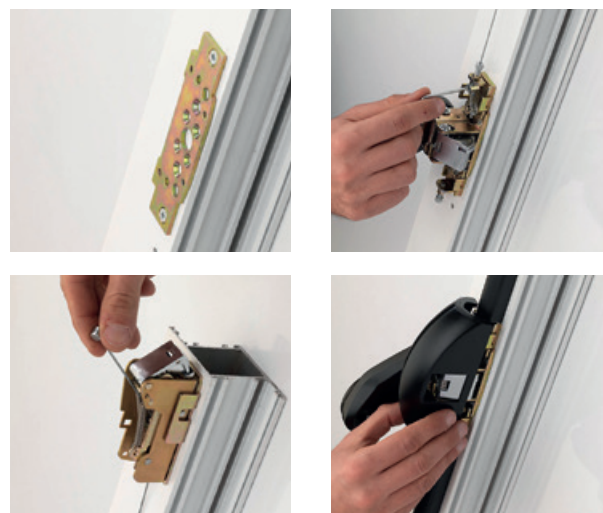


Primary options

- The modular nature of the Briton 560 Series requires a number of options to be selected. Options include:
- Select optional pullman latch kits for top/bottom/side and intermediate latch positions for multi-point latching
 - End covers, operating arms and push bars are available in a range of finishes - see page 176
 - Optional hold-back and alarm functions

Features & Benefits

- Robust construction
- Suitable for doors with a minimum clear opening width down to 500mm. This can be reduced to 350mm where side latches are not required.
- Unique assembly which reduces installation time by as much as 50%
- Easy-to-use self adhesive Accufit templates and backplates for panic devices and pullman latches
- Units can be cut down on-site to suit door width
- Patented Fast-Fix cable system replaces conventional vertical rods connecting operating units and pullman latches
- Fine adjustments of the cable system are possible in-situ for maximum accuracy during installation
- Quick and simple snap on covers



Touch bar

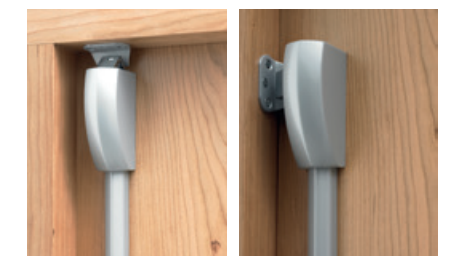
At the heart of the system is the Push Bar activation device. Each device can be used on its own to provide single point latching or with the addition of universal pullman latches for multi-point latching.

Pullman latch kits

Pullman latches provide a smooth and quiet closing action, ideal for interconnecting doors in highly populated areas. Available as top/bottom or side acting latches where installation of the striker to the floor is not practical. In all cases the pullman latch is connected to the push bar activation device using a stainless steel cable which is fully concealed beneath extruded cover channels.



Additional side pullman latches (right) can be added to the system. These can be used at any position above or below the activation device to produce 4 point latching on a single door.



A - Top Pullman B - Upper Side Pullman



C - Bottom Pullman D - Lower Side Pullman

Security

The anti-thrust device in the latch and pullmans prevents unauthorised retraction of the latches. This provides a high level of security from outside particularly when combined with multi-point latching.

Testing & Certification

CE marked to EN1125 (AAA1589)
 Fire tested to EN1634 on timber doors to achieve a 2 hour fire rating.
 Full Declaration of Performance available from our website at:
www.britondops.co.uk



What's in the box?

- Push bar panic operator
- Accufit template and mounting backplate
- Standard strike plate for single rim latch
- Fixing pack
- Installation instructions

** Pullman latch kits are to be ordered separately

560 Series - Modular Push Bar Exit Solutions



561
One Point Latching



561 + 574.V
Two*/Three Point Latching
* central latch can be disabled during installation



561 + 574.S
Two*/Three Point Latching
* central latch can be disabled during installation



561 + 574.VS.R (handed)
Two*/Three Point Latching
* central latch can be disabled during installation



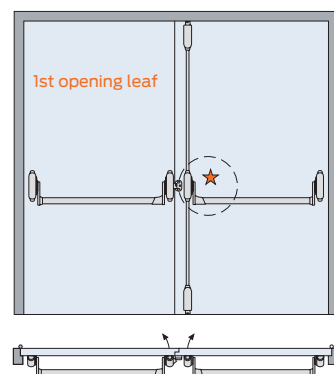
Briton 574.AS additional side pullman latches can be added to any of the systems to provide an additional latching point.



A range of components is available to provide additional functionality to the Briton 570 Series. Refer to page 175 for further details.

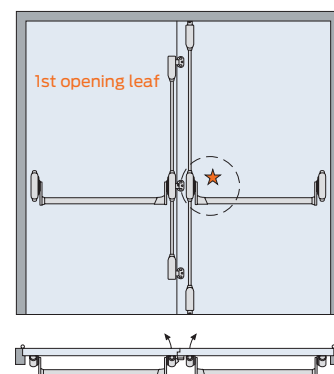
Briton 560 Series - Double door applications

3 point latching - rebated doors



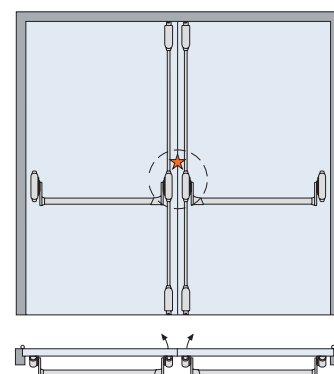
Part No.	Part No.
Briton 561	Briton 561
	Briton 574.V

5 point latching - rebated doors



Part No.	Part No.
Briton 561	Briton 561
Briton 574.S	Briton 574.V

4 point latching - non rebated doors



Part No.	Part No.
Briton 561	Briton 561
Briton 574.V	Briton 574.V

Finishes

Briton 560 exit hardware is available in a choice of finishes with options for the push bar and optional pullman latch kits. Please see page 176 for further information.



Outside Access

A series of outside access devices is available for use with any of the Briton 560 Series exit devices. They provide a simple means of accessing the door from the outside by cylinder or digital push button code lock.

Please see page 177 for detailed information.

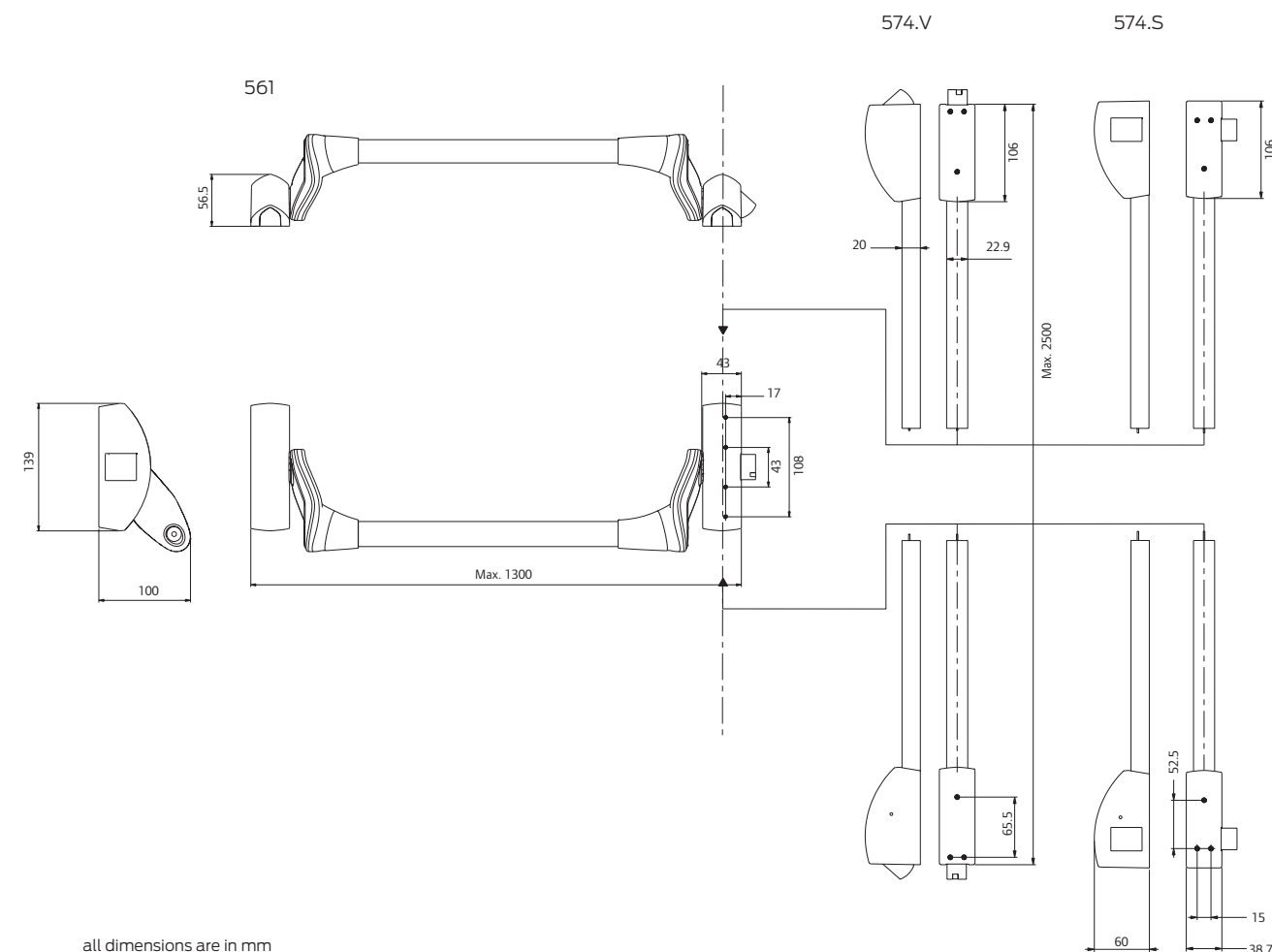


560 Series – Modular Push Bar Exit Solutions

	561	574.V	574.S	574.VS.L	574.VS.R	574.AS
Device Type	■	■	■	■	■	■
Panic exit device to EN 1125	■					
Single point latching	■					
Min./Max. door width (mm)	500* 1300	n/a	n/a	n/a	n/a	n/a
Max. door height (mm)	n/a	2500	n/a	2500	2500	n/a
Pullman latch kit top/bottom		■				
Pullman latch kit side acting			■			■
Pullman latch kit - combination top/side				■	■	
Features						
Touch bar/push bar cut on-site	■					
Fast-Fix cable system		■	■	■	■	■
Vertical cable cover cut on-site		■	■	■	■	■
Self handed	■	■	■			■
Handed - specify when ordering				■	■	
Alarmed (accessory)	□					
Dogged hold-open facility (accessory)	□					
CE Classification						
377B1422AA	■					

* note: this can be reduced to 350mm where side latches are not required.

Briton 560



all dimensions are in mm

Construction

The main and end casings are steel components, mounted on a steel chassis and covered by a precision zinc die-cast cover.

The steel latch is activated by a tubular steel bar.

Locking kits (574.V/574.S/574.VS/574.AS)

The locking points are constructed of steel components mounted on a steel chassis incorporating a steel latch. Connection to the push bar or touch bar device is via an adjustable stainless steel cable concealed by an extruded aluminium cover.

Fixing/installation

These surface mounted devices come complete with easy to follow pictorial fixing instructions. Self adhesive Accufit templates ensure accurate installation of backplates for mounting the operating mechanism and pullman latches. Mechanisms are clamped onto the backplates. Flexible steel cables connecting the operating mechanism to the pullman latches require no measuring and adjustment screws in the main unit allow for fine adjustments. Clip on covers to the main unit and pullmans complete the installation.

The devices are supplied with adjustable strikers with packers to ensure continued optimum performance.

Fixing and maintenance instructions must be passed on to the user upon completion of installation.

Product Ref:	Description	Finishes
561	Push bar exit device for doors from 500mm to 1300mm wide	PB; PS; SE; SES; SS; SSS
574.S	Pullman latch kit with upper and lower side acting latches - suit left and right hand doors	
574.VS.L	Pullman latch kit with one top and one lower side acting latch - left hand	
574.VS.R	Pullman latch kit with one top and one lower side acting latch - right hand	SE; BM; SS
574.V	Pullman latch kit with upper and lower vertical acting latches - suit left and right hand doors	
574.AS	Additional side acting pullman latch kit - can be inserted above or below the exit device	

Product Ref:	Accessories	Finishes
576.RE	Extension for top pullman to suit doors up to 3350mm (not covered by CE)	SE; BM; SSS-PVD
566.AK	Alarm kit for Briton 560 push bar device - see page 175	n/a
566.DK	Dogging kit to hold the latch(es) in the retracted position	SE; BM
574.STE	Easy clean floor socket for bottom pullman	BM
574.STP	Strike for use with PVCu frames - suits top or side pullman latches	BM

581 Series - Modular Push Pad Exit Solutions

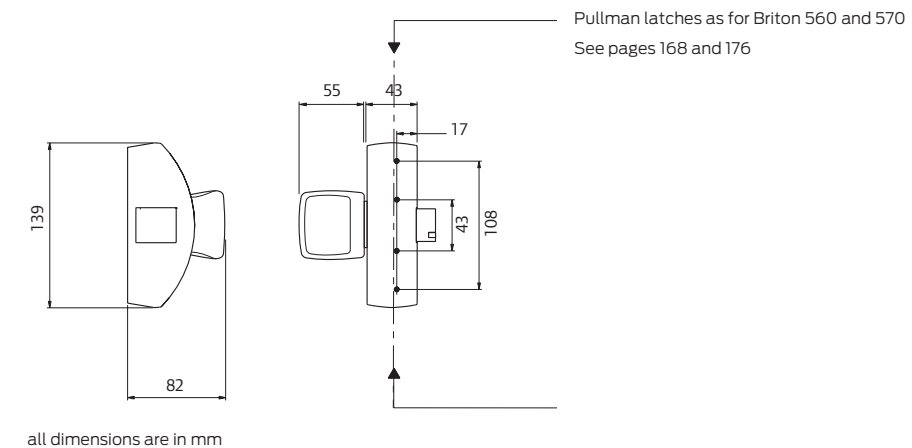
For use in areas which will only be used by trained personnel

Principal Features & Benefits

- Fully compliant with EN 179 for emergency exit applications only
- Non handed
- Suitable for single doors and in combination on double doors
- Can be used as a single rim latch device or in conjunction with pullman latch kits for multi-point latching
- Very high corrosion resistance
- Security Grade 5 - 5000N side load

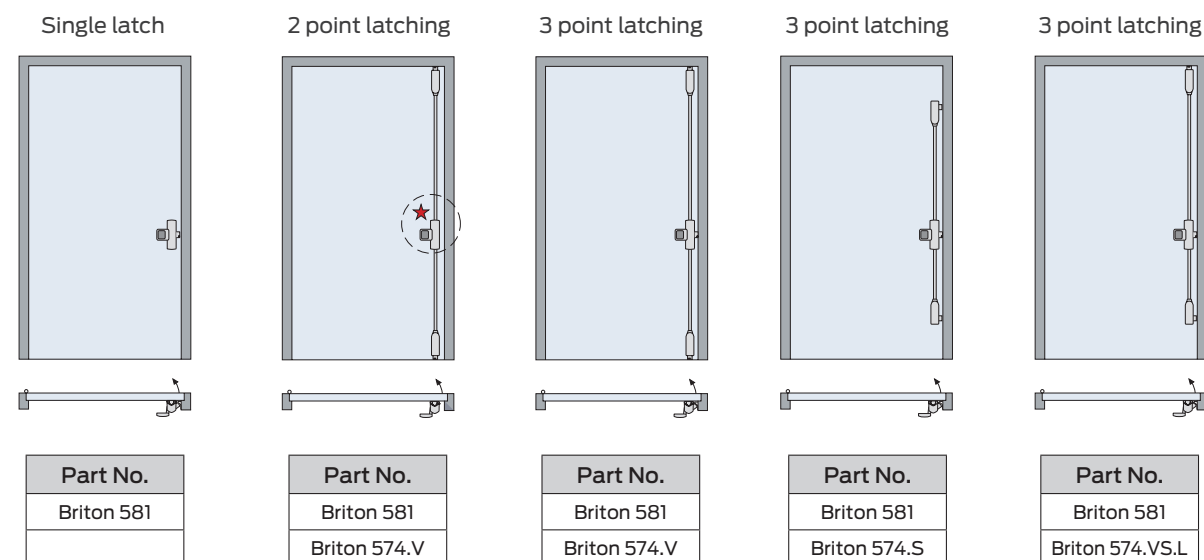


Modular emergency exit solutions offering multi-point latching

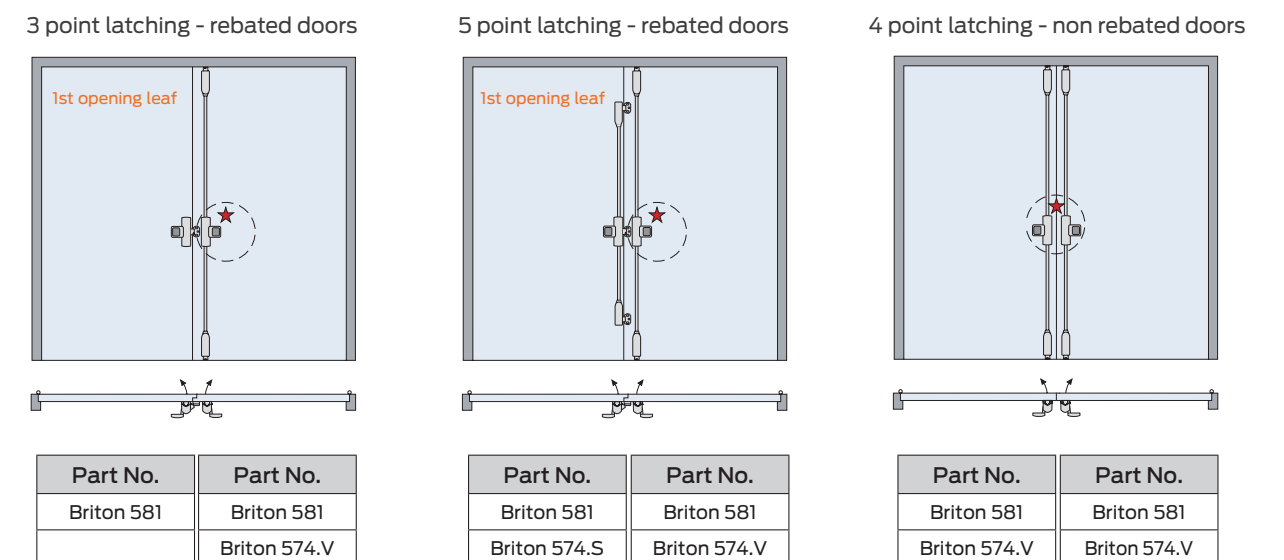


Product Ref:	Description	Finishes
581	Push pad emergency exit device to EN 179	SE; BM
574.S	Pullman latch kit with upper and lower side acting latches - suit left and right hand doors	
574.VS.L	Pullman latch kit with one top and one lower side acting latch - left hand	
574.VS.R	Pullman latch kit with one top and one lower side acting latch - right hand	SE; BM; SS
574.V	Pullman latch kit with upper and lower vertical acting latches - suit left and right hand doors	
574.AS	Additional side acting pullman latch kit - can be inserted above or below the exit device	

Briton 581 - Single door applications



Briton 581 - Double door applications



560 & 581 Series - Accessories

Briton 576.RE

The top rod extension kit is designed for use on doors that require the push bar to be in a lower position e.g schools. It can also be used on doors up to 3350mm high, however doors over 2500mm high are outside the scope of EN 1125.



Alarm switch kits

Allow standard models to be connected to electronic audio/visual alarm or door control systems giving immediate notification when the panic device is operated. The switch is mounted in the end box of the standard panic operator.

566.AK

Alarm switch kit (for use with Briton 560 only)



Dogging device (hold-open) kits

These units allow standard models to be upgraded to permit free access when required. The manual hold-open function is operated by a key and holds all latches in the withdrawn position.

566.DK

Dogging device kit (for use with Briton 560 only)



Briton 574.STE

Easy clean socket for use with lower pullman



Briton 574.STP

Adjustable strike for use with top or side pullmans fitted to PVCu frames with a projection of 14 - 24mm.

Product Ref:	Accessories	Finishes
576.RE	Extension for top pullman to suit doors up to 3350mm (not covered by CE) - for all 570 Series	SE: BM; SSS-PVD
576.AK	Alarm kit for Briton 570 touch bar device - for all 570 Series	n/a
576.DK	Dogging kit to hold the latch(es) in the retracted position - not suitable for 573.N	SE: BM
574.STE	Easy clean floor socket for bottom pullman - for all 570 Series	BM
574.STP	Strike for use with PVCu frames - suits top or side pullman latches - for all 570 Series	BM

570, 560 & 581 Series - Guide to Finishes

The modular nature of the Briton 560 and 570 Series means the finish of the operator and any additional pullman latch kits must be specified.

We recommend always to specify any pullman latch kits in a finish to match the operator end boxes (see below).

Finish description

SES: End boxes push bar and operating arms are powder coated silver with light grey push bar connector.

SE: Push bar is powder coated silver with all other components including end boxes in matt black. Pullman latch kits in SE are sprayed silver throughout.

BM: Powder coated matt black. Applies to pullman latch kits and accessories only.



Briton 561 Operator in SES finish with pullman latch kit in SE finish



Briton 561 Operator in SE finish with pullman latch kit in BM finish

Briton 570 Series touch bar devices are also available in a series of plated metal finishes on the touch bar only. The chassis and end boxes are matt black in all cases.

- SS** - Satin stainless steel
- SSS** - Satin Stainless Steel PVD
- PS** - Polished stainless steel
- PB** - Polished brass



Briton 571 in SES finish



SS



PS



PB

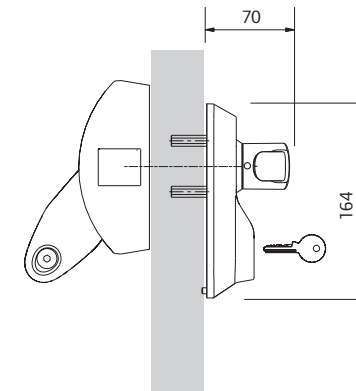
Briton 560, 570 & 581 – Outside Access

A series of outside access devices which can be used with the Briton 560, 570 and 581 Series panic and emergency exit devices. They provide a simple means of accessing the door from the outside.

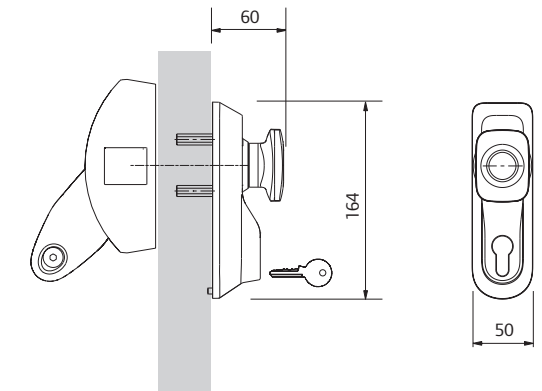
- Designed to suite with all Briton CE compliant exit devices
- Suitable for doors 40mm to 70mm thick
- Fixings suitable for timber & metal doorsets
- Powder coated for additional durability – silver, gold and brown bronze
- Choice of plated finishes – satin stainless steel, polished stainless steel and polished brass
- Illustrated instructions and template enabling accurate installation



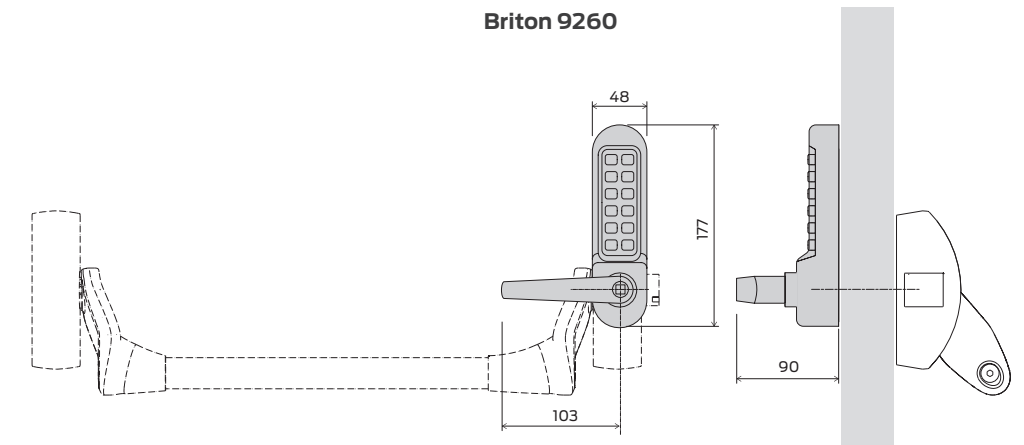
Briton 1413.LE



Briton 1413.KE



Briton 9260



all dimensions are in mm

Briton 1413.KE – knob variant

- Ergonomic design providing improved grip in wet conditions.
- Supplied with euro-profile standard differ cylinder
- Keyed-alike or master-keyed cylinder options available
- Optional key retention
- Non-handed
- Note: not recommended for high use areas

Briton 1413.LE - lever variant

- Anti vandal design with clutch mechanism allows the lever to rotate when the unit is locked
- Site reversible lever provides good grip and easy action
- Easy retrofit on existing Briton 1413E models
- Supplied with euro-profile standard differ cylinder
- Keyed-alike or master-keyed cylinder options available
- Cylinders can be incorporated into existing masterkey systems
- BS 8300 compliant lever
- Optional key retention

Briton 9260 digital code lock

- Digital code lock option has over 2047 non sequential code options
- Supplied with extra long spindles for use with Briton exit devices
- Reversible lever operation for left or right hand applications
- Code changed by removing the unit from the door
- Not suitable for use with 389.N

Device Type	561	571	571.EL	573.N	581
Briton 1413.KE	■	■		■	■
Briton 1413.LE	■	■		■	■
Briton 9260	■	■		■	■
Electronic access control*			■		

* A series of SimonsVoss and CISA access control is available for use with the Briton 571.EL motorised panic exit device. Please refer to page 165 for information.

376 Series - Push Bar Exit Hardware

In distinct contrast to the modular nature of the Briton 560 - 570 Series, the long established Briton 376 Series is supplied as a complete boxed product. Versions with pullman latches or other additional features such as alarm connection are specified as complete assemblies which are identified by the following suffixes to the product code:

- .P with pullman latches
- .N with mortice nightlatch
- .A with alarm facility
- .D with manual dogging (hold-back function)



376 Series - Push Bar Exit Hardware

Features & Benefits

- Rim latch, vertical bolts and mortice nightlatch options
- Tested in excess of 200,000 cycles
- Products designed to satisfy panic exit applications or emergency exit applications
- Suitable for single doors and in combination on double doors
- Self handed or site reversible
- Durable aluminium die cast body and end boxes with extruded aluminium guides
- Steel shoot bolts
- Tubular steel shoots and cross bar can be cut on-site to suit door width and height
- Options include alarm activation, manual hold-open (dogging), and quiet close pullman latches
- Available in sprayed silver and plated metallic finishes
- All versions supplied complete with fixings, installation instructions and self adhesive "Push Bar to Open" signage



Testing & Certification

CE marked to EN 1125 (AAA011) and EN 179

Fire tested to EN 1634 to achieve a 2 hour fire rating on timber doors and steel doors.

Full Declaration of Performance available from our website at:

www.britondops.co.uk



What's in the box?

- Panic or emergency device c/w all vertical bolts and latches as required
- Strike plate/s
- Fixing pack
- Installation instructions

376 Series - Push Bar Panic Exit Hardware

Options with pullman latches, alarm or hold-back feature



**Panic Exit Bolt
Briton 376**

- Vertical panic bolt activation
- Two point locking for extra security
- Anti-thrust device, prevents forced latch retraction
- Suitable for single and double door applications
- Optional models available (see chart page 183)



**Panic Exit Latch
Briton 378**

- Rim panic latch with single point latching
- Suitable for single and double doors in combination with Briton 376 panic bolt
- Hand reversed on site
- Optional models available (see chart page 183)



**Mortice Panic Nightlatch
Briton 379.N**

- Mortice panic nightlatch
- For single doors and the first opening leaf of double doors
- Hand reversed on site
- Supplied with dual profile cylinder mortice nightlatch, (cylinder not supplied)
- Anti-thrust device prevents forced latch retraction



**Panic Exit for Double Doors
Briton 377**

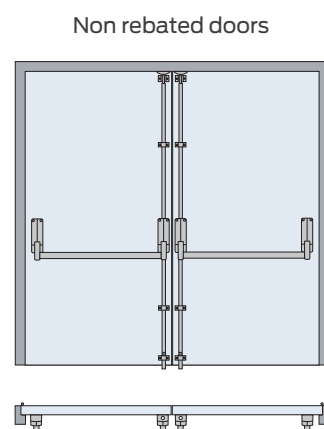
- Double door combination
- Suitable for rebated double doors
- Comprises 376 rim latch and 378 vertical bolt devices
- 378DDS double door strike included



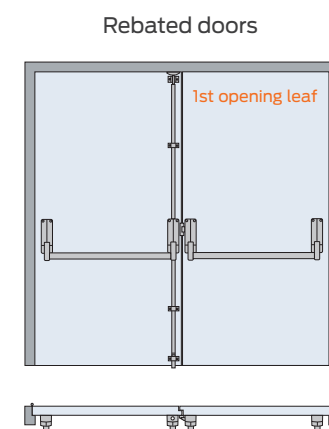
Options and accessories

Most of the 376 Series panic exit devices can be ordered with additional functions of built in alarm, hold-open (dogging) function or with quiet close pullman latches. Please refer to the product selector overleaf. A series of accessories is also available to suit application to metal doors.

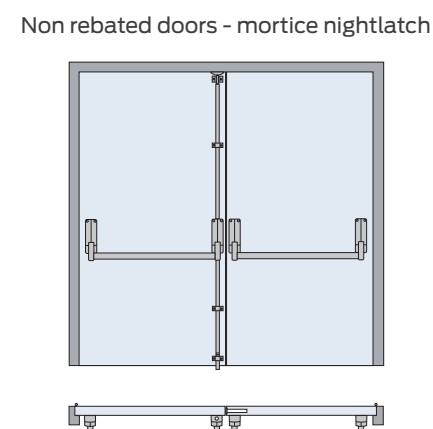
Briton 376 - Double door applications



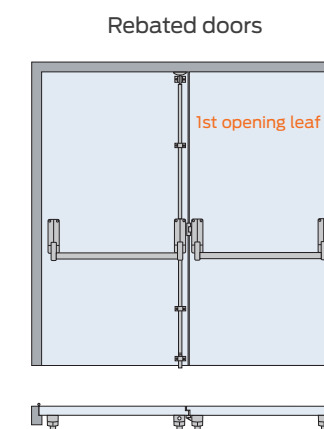
Part No.	Part No.
Briton 376	Briton 376
+ options	+ options



Part No.	Part No.
Briton 376	Briton 378
+ options	+ options



Part No.	Part No.
Briton 376	Briton 379.N
+ options	+ options



Part No.
Briton 377

Note: The Briton 377 is a complete boxed product and comprises a Briton 376 vertical panic bolt, a Briton 378 reversible rim latch and Briton 378DDS double door strike in one convenient pack.

376 Series - Push Bar Panic Exit Hardware to EN 1125

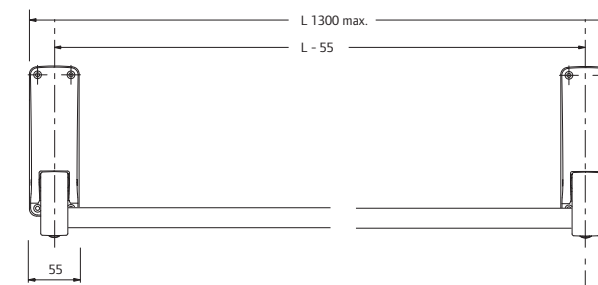
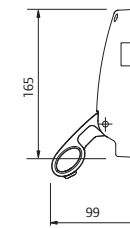
Device Type	376	376.A	376.D	376.P	376.PD	377	378	378.D	379.N	379.NA	379.ND
Panic exit device to EN 1125	■	■	■	■	■	■	■	■	■	■	■
Vertical bolts top/bottom	■	■	■	■	■	■					
Single point rim latch							■	■			
Mortice nightlatch									■	■	■
Suitable for single doors	■	■	■	■	■		■	■	■	■	■
Suitable for double door combinations						■					
Min./Max. door width (mm) per leaf	665 1300	665 1300	665 1300	665 1300	665 1300	665 1300	665 1300	665 1300	665 1300	665 1300	665 1300
Max. door height (mm)	2500	2500	2500	2500	2500	2500	n/a	n/a	n/a	n/a	n/a
Features											
Mortice nightlatch operation									■	■	■
Push bar cut on-site	■	■	■	■	■	■	■	■	■	■	■
Adjustable top/bottom latches	■	■	■	■	■	■					
Self handed	■	■	■	■	■				■	■	■
Site reversible						■	■	■			
Quiet close pullman latches				■	■						
Alarmed		■								■	
Dogged hold-open facility			■		■			■			■
CE Classification											
376B1322AA	■	■	■								

Door sizes

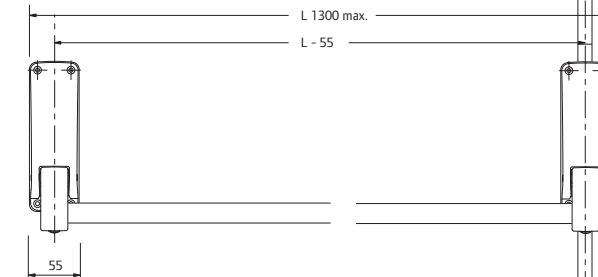
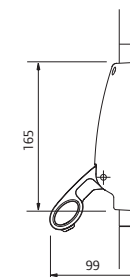
All products are suitable for use on doors up to 2500mm high x 1300mm wide. Minimum width of stiles 78mm for 13mm rebates and 90mm for 25mm rebates. For doors with less than 665mm clear opening width please seek advice from Technical Support on 0800 834102.

For Briton 379.N, 379.NA & 379.ND minimum door thickness is 40mm and minimum width of stile is 88mm.

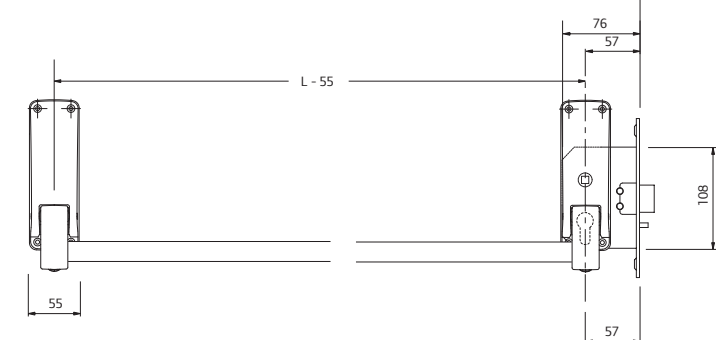
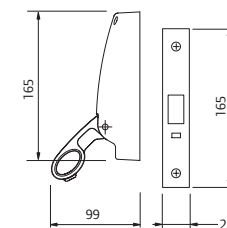
Briton 378



Briton 376



Briton 379.N



all dimensions are in mm

Product Ref:	Description	Finishes
376	Push bar panic exit vertical bolt device	SE; SS*; PS*; PB*
376.A	Push bar panic exit vertical bolt device with alarm function	SE; SS*
376.D	Push bar panic exit vertical bolt device with manual dogging	SE; SS*
376.P	Push bar panic exit device with upper and lower pullman latches	SE; SS*
376.PD	Push bar panic exit device with upper and lower pullman latches and manual dogging	SE; SS*; PB*
377	Double door combination of rim latch and vertical bolt devices for rebated double doors	SE; SS*; PS*; PB*
378	Push bar panic exit rim latch device	SE; SS*; PS*; PB*
378.D	Push bar panic exit rim latch device with manual dogging	SE; SS*; PS*; PB*
379.N	Push bar panic exit device with dual profile cylinder mortice nightlatch	SE; SS*; PS*; PB*
379.NA	Push bar panic exit device with dual profile cylinder mortice nightlatch and alarm function	SE; SS*; PS*; PB*
379.ND	Push bar panic exit device with dual profile cylinder mortice nightlatch and manual dogging	SE; SS*; PS*; PB*

* PVD plated finishes

376 Series - Push Pad Emergency Exit Hardware to EN 179



**Push Pad Emergency Exit Bolt
Briton 372**

- Pad operated vertical bolts
- Two point locking
- Anti-thrust device, prevents forced latch retraction
- Suitable for single and double door applications
- Self-handed
- Can be used with quiet close pullman latches



**Push Pad Emergency Exit Latch
Briton 1438**

- Pad operated rim latch
- Suitable for use on single doors and first opening leaf of rebated double doors
- Site reversible
- Double door strike available for rebated double doors



**Push Pad Emergency Exit Latch
Briton 389.N**

- Mortice nightlatch operation
- Suitable for use on single and double doors (see below)
- Site reversible
- Supplied with dual profile cylinder mortice nightlatch, (cylinder not supplied)
- Anti-thrust device, prevents forced latch retraction

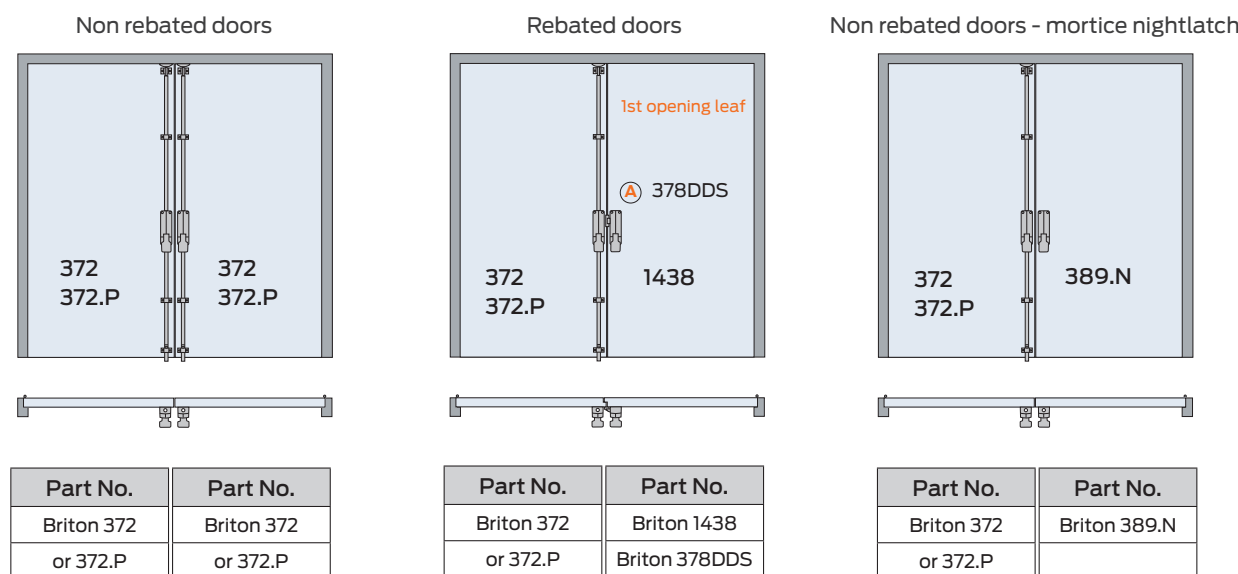
For applications not accessed by members of the public

Device Type	372	372.P	1438	389.N
Emergency exit device to EN 179	■	■	■	■
Vertical bolts top/bottom	■	■		
Single point rim latch			■	
Mortice nightlatch				■
Suitable for single doors	■	■	■	■
Suitable for double door combinations	■	■	■	■
Max. door height (mm)	2500	2500	n/a	n/a
Features				
Mortice nightlatch operation				■
Vertical rods and covers cut on-site	■	■		
Adjustable top/bottom latches	■	■		
Self handed	■		■	■
Site reversible		■		
Quiet close pullman latches		■		
CE Classification				
376B1342BA	■	■	■	

Products conforming to EN 179 are only intended for use by personnel who are fully aware of the escape routes and have been trained to operate these devices.

If there is any doubt about the suitability of these devices for your application you should ALWAYS use a panic exit solution to EN 1125.

Briton 372 - Double door applications



Ⓐ Accessories required



All Briton exit devices are supplied with self-tapping screws suitable for timber and metal doorsets.

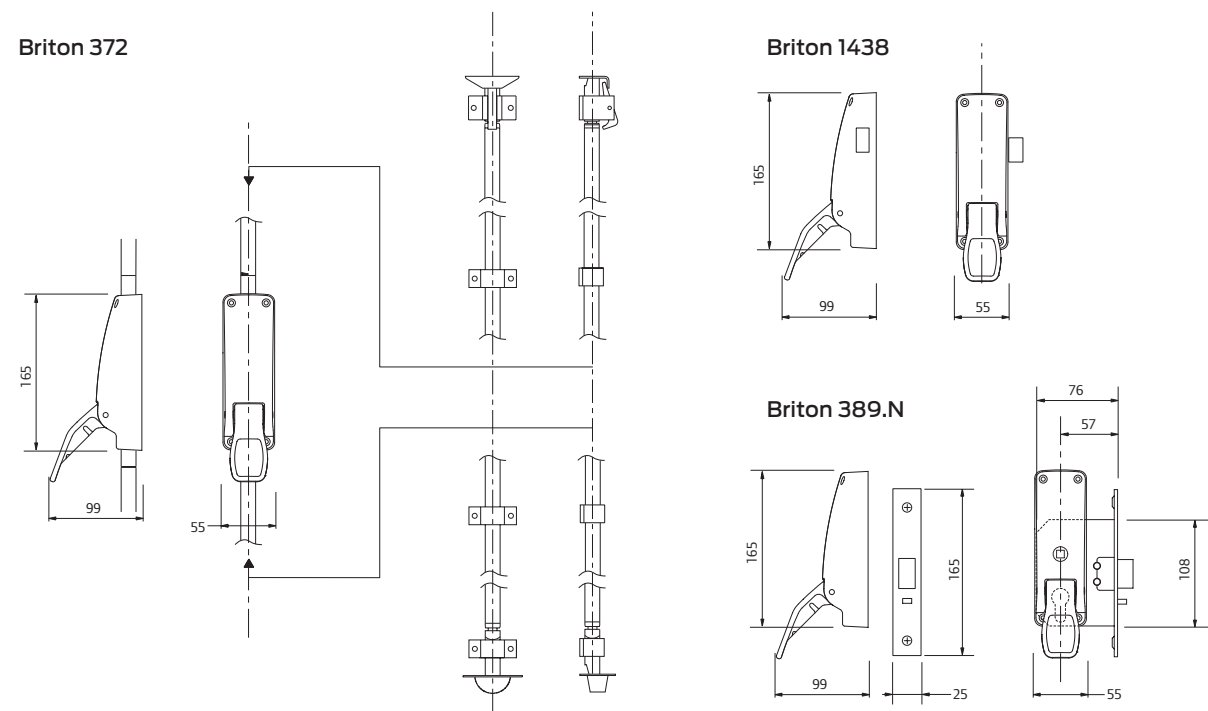
For customers who prefer machine screws, alternative fixing packs are available.



Options and accessories

The Briton 372 exit device is also available with quiet close pullman latches or with accessories to suit metal door applications. Please refer to the accessories overleaf.

376 Series - Push Pad Emergency Exit Hardware to EN 179



all dimensions are in mm

Product Ref:	Description	Finishes
372	Push pad emergency exit device with vertical bolts	BM; SE; SS*; PS*; PB*
372.D	Push pad emergency exit device with vertical bolts and manual dogging	SE
372.P	Push pad emergency exit device with upper and lower pullman latches	BM; SE; SS*; PB*
372.M	Push pad emergency exit device with vertical bolts for use on metal doors	SE; SS*; PB*
389.N	Push pad emergency exit device with dual profile cylinder mortice nightlatch	SE; SS*; PS*; PB*
1438.L	Push pad emergency exit device with rim latch - Left hand (site reversible)	SE; SS*; PS*; PB*
1438.R	Push pad emergency exit device with rim latch - Right hand (site reversible)	SE; SS*; PS*; PB*
1438M.L	Push pad emergency exit device with rim latch for metal doors - Left hand (site reversible)	SE; SS*; PS*; PB*
1438M.R	Push pad emergency exit device with rim latch for metal doors - Right hand (site reversible)	SE; SS*; PS*; PB*

* PVD plated finishes

376 Series - Accessories



Pullman latches

For doors that are subject to high levels of traffic, for example interconnecting doors in high populated areas, pullman latches on a vertical panic bolt provide a smooth and quiet alternative.

Pullman latches are supplied as standard on Briton 376.P, 372.P and 376.PD. To upgrade existing installations, pullman latch kits 376/931 can be supplied separately.

Also available with metal threaded screws (376M.P, 372M.P).



376ELTS - Extra long top shoot

Suitable for use on doors that require the push bar to be in a lower position e.g schools or on doors up to 3350mm high (doors over 2500mm are outside the scope of EN 1125 and EN 179).



378DDS - Double door strike

For use on rebated double door combinations when using a rim latch device (e.g 378, 1438)



376FFKP - Flush face keeper plate

For applications where there is a flush head frame a flush face keeper plate can be used to secure the bolt.

Metal door applications

Briton 378MDS metal door strike for use with Briton 378 rim devices on single doors, or on the first opening leaf of a double rebated application.



Briton 379MDS metal box strike for use with Briton 379.N mortice panic nightlatch.



Briton 376MDS

For vertical panic bolts. Comprises 2 strike plates and 1 trip plate to activate the top tripper

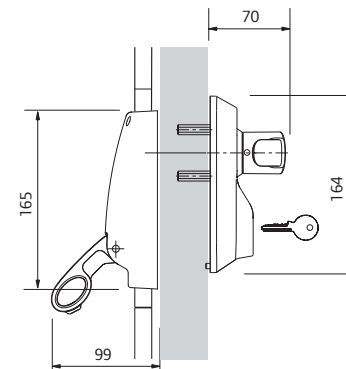
376 Series - Outside Access

A series of outside access devices which can be used with any Briton 376 Series panic and emergency exit devices. They provide a simple means of accessing the door from the outside.

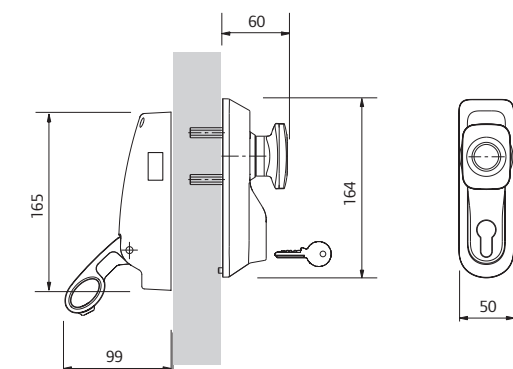
- Designed to suite with all Briton CE compliant exit devices
- Suitable for doors 40mm to 70mm thick
- Fixings suitable for timber & metal doorsets
- Powder coated for additional durability – silver, gold and brown bronze
- Choice of plated finishes – satin stainless steel, polished stainless steel and polished brass
- Illustrated instructions and template enabling accurate installation



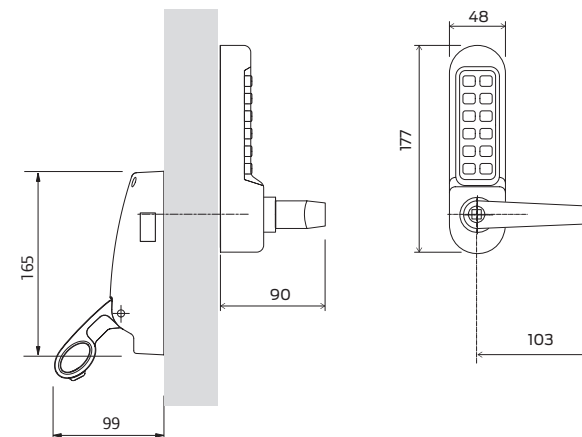
Briton 1413.LE



Briton 1413.KE



Briton 9260



all dimensions are in mm

Briton 1413.KE – knob variant

- Ergonomic design providing improved grip in wet conditions.
- Supplied with euro-profile standard differ cylinder
- Keyed-alike or master-keyed cylinder options available
- Optional key retention
- Non-handed
- Note: not recommended for high use areas

Briton 1413.LE - lever variant

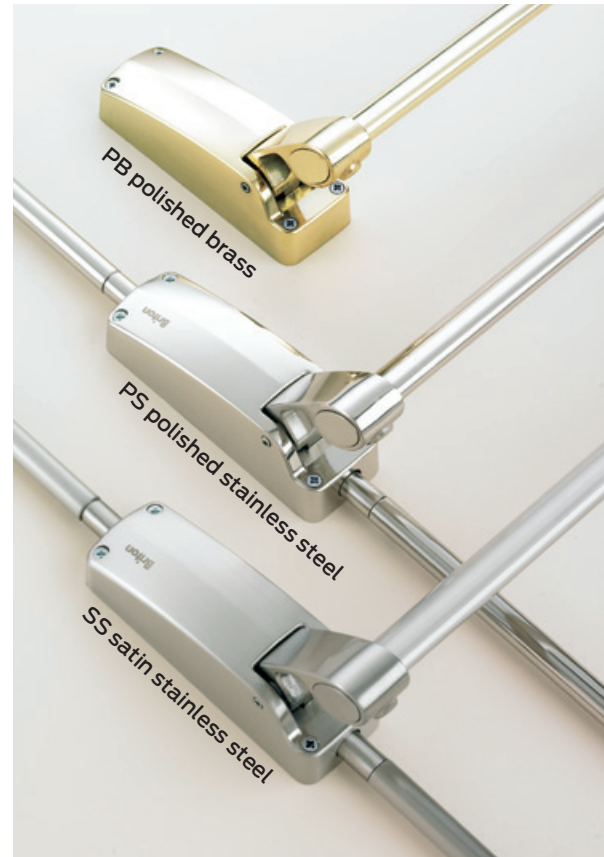
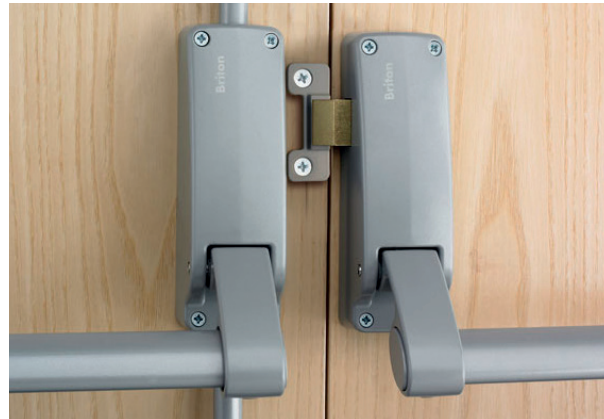
- Anti vandal design with clutch mechanism allows the lever to rotate when the unit is locked
- Built-in clutch mechanism for tamper protection
- Site reversible lever provides good grip and easy action
- Easy retrofit on existing Briton 1413E models
- Supplied with euro-profile standard differ cylinder
- Keyed-alike or master-keyed cylinder options available
- Cylinders can be incorporated in existing masterkey systems
- BS 8300 compliant lever
- Optional key retention

Briton 9260 digital code lock

- Digital code lock option has over 2047 non sequential code options
- Supplied with extra long spindles for use with Briton exit devices
- Reversible lever operation for left or right hand applications
- Code changed by removing the unit from the door
- Not suitable for use with 389.N

Device Type	376/376.A/376.D	376.P/376.PD	377	378/378.D	379.N/379.NA/379.ND	372/372.P	389.N	1438
Briton 1413.KE	■	■	■	■	■	■	■	■
Briton 1413.LE	■	■	■	■	■	■	■	■
Briton 9260	■	■	■	■	■	■	■	■

376 Series - Guide to Finishes



All 376 Series exit devices and outside access devices are available in:

Powder coated finishes

Silver (SE) finish is powder coated for increased durability having been salt-spray tested in excess of 240 hours. We recommend you use Silver (SE) finish for highly corrosive areas.

Metallic plated finishes

SS - Satin stainless steel

PS - Polished stainless steel

PB - Polished brass

Double door strikes and metal door strikes are available colour matched.



Note: special colours may also be supplied.

Quality starts with performance and durability

The first point of contact for anyone entering and moving around a building is the door hardware, whether that is a pull handle or a lever handle. In addition to having the right look, the hardware you select must have the right feel and finish and be backed up by a level of performance which will ensure the hardware is suited to the application and the amount of use it will have to endure.

Specifying Allegion furniture

The ranges of door furniture available from Allegion enable specifiers to select items across the full hardware requirement of the door and beyond from the same range. This ensures full compatibility of the fittings, producing a unified appearance in all cases.

Whether your choice is for satin stainless steel or solid nylon, all the components within the range are produced to a high standard of

finish and with a level of certified performance suitable for the majority of applications.

Briton, Randi and Normbau lever furniture is fully compatible across the entire range of Briton and CISA lockcases. However, only specific lever handles are certified for use on escape route doors which have been fitted with escape sashlocks. These are identified in the following pages but we recommend you

consult our Technical Department for further information.

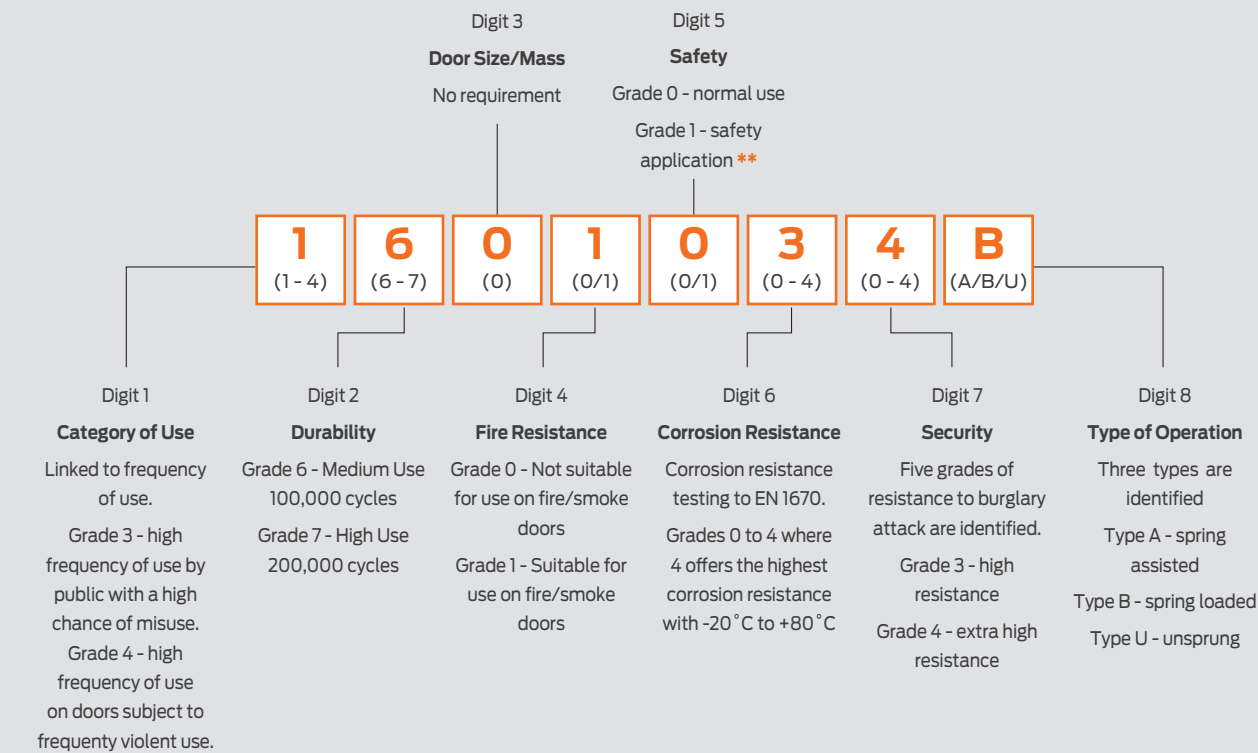
Performance Levels

Our multi-level approach to door furniture ensures there is a solution for all projects, applications and budgets.



EN 1906

All forms of lever and knob door operating furnitures are covered by EN 1906. It provides details on product types by use, durability testing, fire resistance, corrosion resistance and safety using an 8 digit classification code.

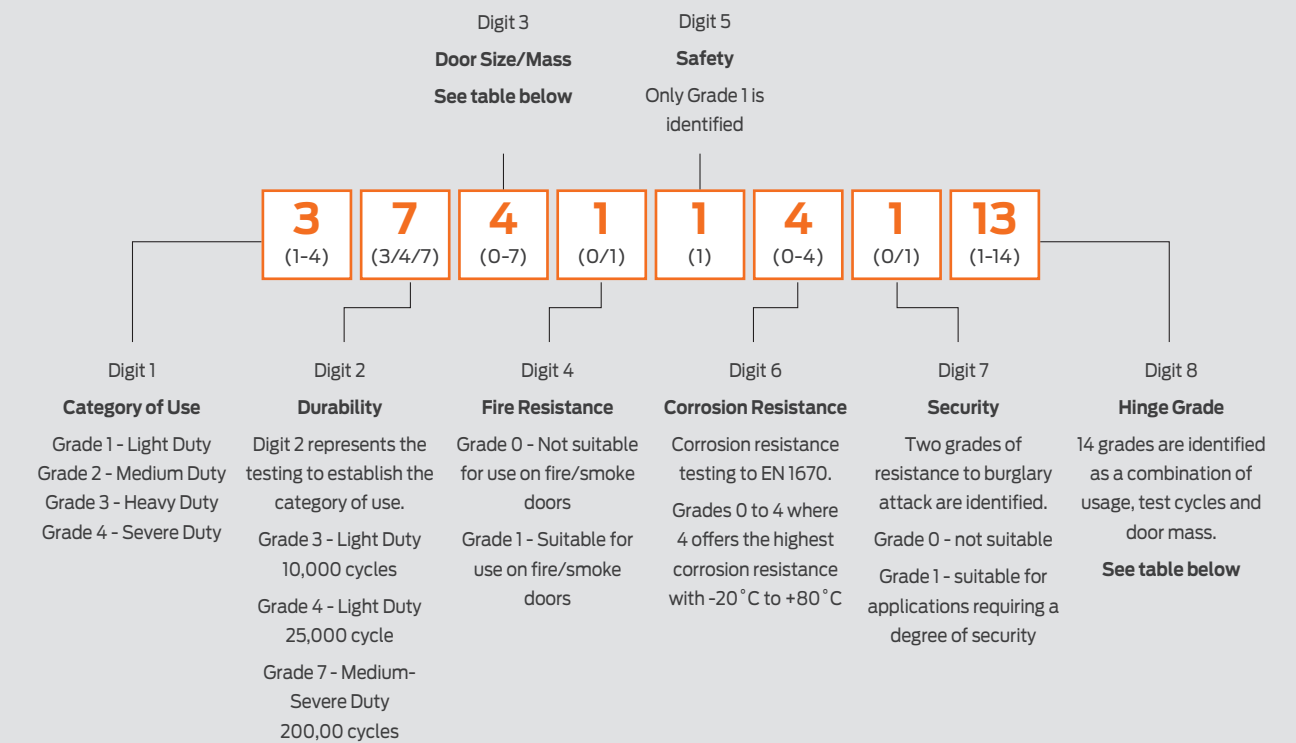


** to qualify for Grade 1 Safety, handles must have high strength lever to plate/rose fixing, high strength plate/rose to door fixing and high strength lever to spindle fixing, such that they would withstand a person grabbing the lever in order to prevent falling.

It is recommended that only Safety Grade 1 furniture is used on doors at the top of a staircase for example.

EN 1935

Single axis hinges, both fixed pin and lift off hinges, are covered by EN 1935. It provides details on product types by use, durability, fire resistance, corrosion resistance and a grading using an 8 digit classification code.



Door Size/Mass

Grade	Door Mass
0	10kg
1	20kg
2	40kg
3	60kg
4	80kg
5	100kg
6	120kg
7	160kg

Hinge Grades

Grade	Usage	Test Cycles	Door Mass
1	Window	10,000	10kg
2	Window	10,000	20kg
3	Window/Door	25,000	20kg
4	Door	200,000	20kg
5	Window	10,000	40kg
6	Window/Door	25,000	40kg
7	Door	200,000	40kg
8	Window	10,000	60kg
9	Window/Door	25,000	60kg
10	Door	10,000	60kg
11	Door	200,000	80kg
12	Door	200,000	100kg
13	Door	200,000	120kg
14	Door	200,000	160kg

The Equality Act - disability legislation

The concept of universal access is not new but it still provides a challenge for the construction industry.

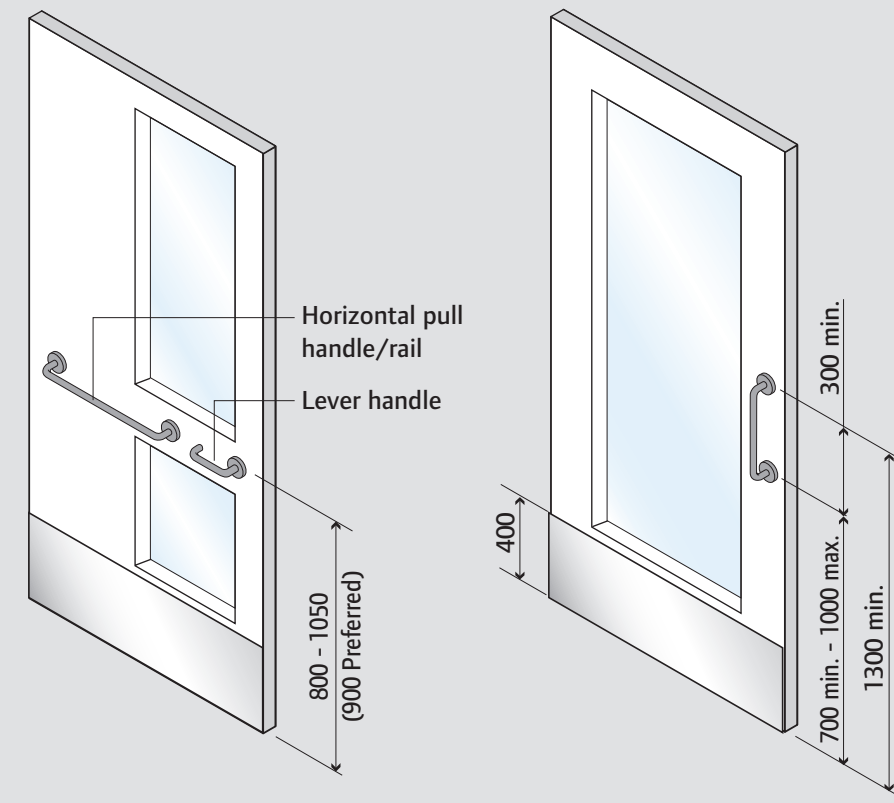
Legislation aimed at providing universal accessibility of buildings requires service providers to make "reasonable adjustments to the physical features of their premises to overcome barriers to access".

To meet obligations under the Equality Act, Approved Document M (ADM) of The Building Regulations and BS 8300 continue to be the yardsticks by which conformity is measured.

Products in this category which conform to the recommendations of BS 8300 and ADM are shown with this symbol.



BS 8300 - Dimensional guidance



BS 8300 & ADM

Approved Document M of The Building Regulations stipulates that operating hardware "... can be operated with one hand using a closed fist, e.g. a lever handle."

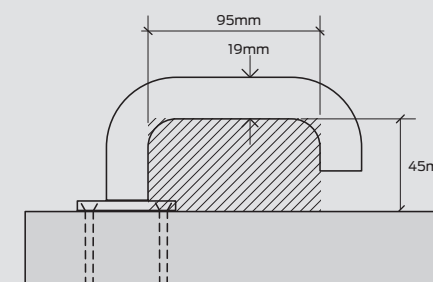
BS 8300 however is more specific and sets out both dimensional recommendations and mounting positions which are shown opposite.

To assist people with a visual impairment, BS 8300 also includes a recommendation for visual contrast between the door and

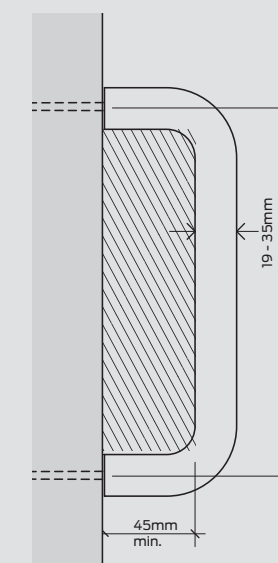
its operating hardware measured as the difference in their light reflective value (LRV). Whilst there is no definitive answer, research has shown that a minimum of 30 points of difference in LRV is recommended although 20 points may also be considered to be acceptable.

Allegion can provide LRV measurements where necessary.

Lever handle dimensions

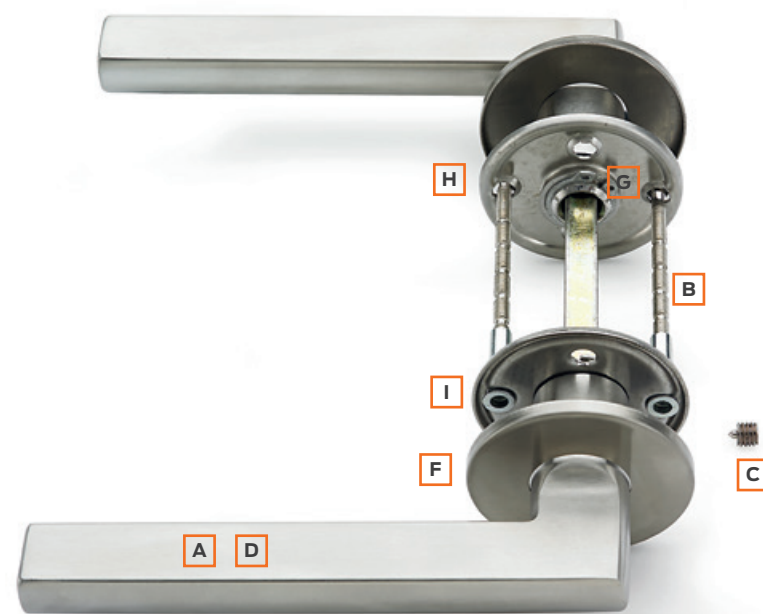


Pull handle dimensions



4700 Series - Door Furniture

The 4700 Series furniture range offers specifiers a wide choice of styles for lever and pull handles, which are ideally matched with Briton high performance lockcases, and Briton and CISA Euro profile cylinders for optimum performance.



Grade 4 category of use guarantees a high performance and durability

Features & Benefits

- A Precision manufactured levers in stainless steel Grade 304
- B Back to back fixing bolts and threaded bushes on lever furniture provide a strong bolt through fixing. Supplied as standard to suit doors 44 - 54mm thick (alternative fixing pack available to suit 55 - 65mm)
- C Spindle is fixed to the inside and the outside lever handle by "break thru" grub screws providing greater security and durability.
- D All lever handles achieve EN 1906 Grade 4, the highest grade of use within the standard*.
- E Grub screw fixings on levers concealed from view on the underside.
- F Slimline roses only 4mm thick.
- G Precision engineered levers are prefixed to the rose or plate inner by hi-tensile circlip.
- H Unique 'ClickFit' system provides a positive snap fit for pressed rose and escutcheon covers.
- I Torx head fixings supplied with all leversets and plate mounted levers provide a high quality look and minimise tampering.

Lever fixing

Lever furniture features a unique fixing method which provides a firm, positive and highly durable installation. Levers are prefixed to roses, roses are fixed with bolt through fixings and break thru through fixings and break thru spindle and grub screws which positively connect the inside and outside handles.

Testing & Certification

Tested to EN 1906 with Grade 4 Category of Use

Tested to EN 1673 with Grade 3 Corrosion Resistance

Fire tested to EN1634 on timber doors to achieve a 90 minute fire rating, and 4 hour for metal doors.

Full Declaration of Performance available from our website at:

www.britondops.co.uk



What's in the box?

- Pair of levers on roses
- Push on rose covers
- 8mm spindle & bolt through fixings for 35 - 54mm doors
- Hexagon wrench
- Installation instructions



4700 Series - Lever Furniture

The full hardware requirement from a single source

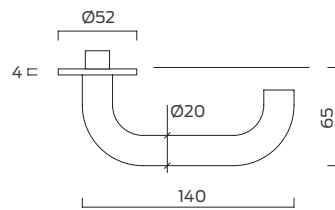


Return to Door - 4701.20.140

Ø20mm round bar lever handle on rose with bolt through fixings at 38mm centres.

Approved for use with escape locks to EN 179.

Conforms to dimensional recommendations of BS 8300.

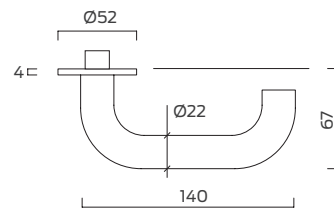


Return to Door - 4701.22.140

Ø22mm round bar lever handle on rose with bolt through fixings at 38mm centres.

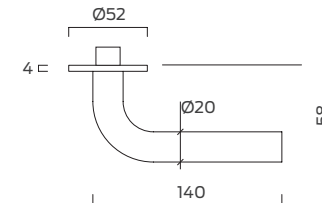
Approved for use with escape locks to EN 179.

Conforms to dimensional recommendations of BS 8300.



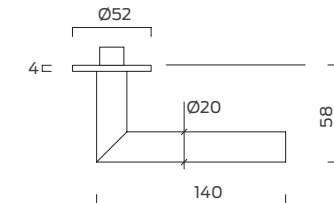
Straight - 4703.20.140

Ø20mm round bar lever handle on rose with bolt through fixings at 38mm centres.



Straight Mitred - 4704

Ø20mm round bar lever handle on rose with bolt through fixings at 38mm centres.



all dimensions are in mm

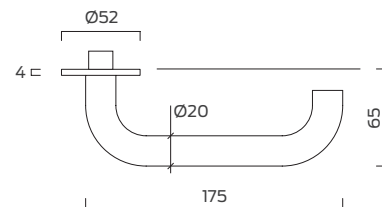


Extended Return to Door - 4701.20.175

Ø20mm round bar lever handle on rose with bolt through fixings at 38mm centres.

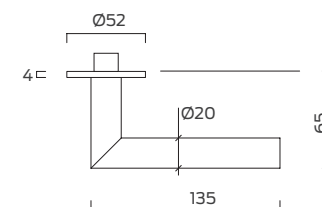
Approved for use with escape locks to EN 179.

Conforms to dimensional recommendations of BS 8300.



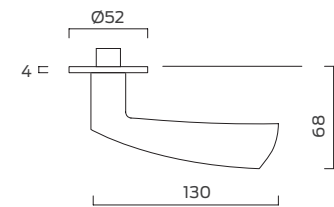
Curved Mitred - 4705.20.140

Ø20mm round bar lever handle on rose with bolt through fixings at 38mm centres.



Wing Design - 4706

Formed lever handle on rose with bolt through fixings at 38mm centres.

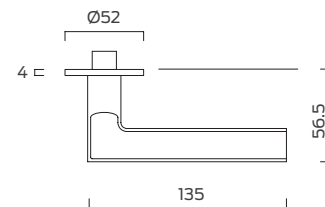


4700 Series - Lever Furniture



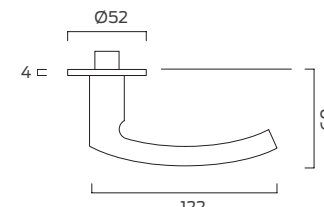
Hollow Cut Away - 4707

Lever handle on rose with bolt through fixings at 38mm centres.



Hollow Curve - 4708

Lever handle on rose with bolt through fixings at 38mm centres.



all dimensions are in mm

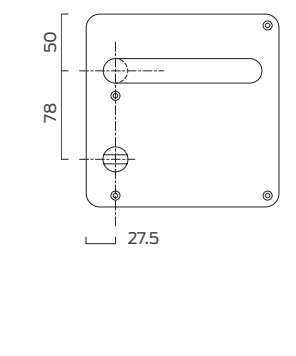
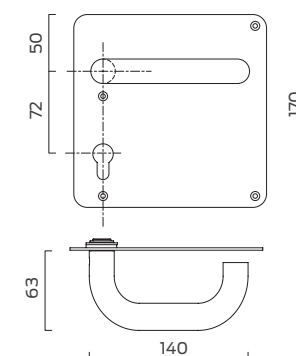


Product Ref:	Description	Finish
4701.20.140	Return to door lever on rose - Ø20mm	SS
4701.22.140	Return to door lever on rose - Ø22mm	SS
4701.20.175	Extended return to door lever on rose - Ø20mm	SS
4703.20.140	Straight lever on rose - Ø20mm	SS
4704	Straight mitred lever on rose - Ø20mm	SS
4705.20.140	Curved mitred lever on rose - Ø20mm	SS
4706	Wing design lever on rose	SS
4707	Hollow cut away lever on rose	SS
4708	Hollow curved lever on rose	SS
4701.55-65.FS	Alternative fixing pack for doors 55 - 65mm	n/a

Accessories to suit all mortice lock applications



Product Ref:	4702BP.B.22.140	4702BP.EC.22.140	4702BP.WC
Description:	Plate mounted Ø22mm lever handle Blank plate for use with latches	Plate mounted Ø22mm lever handle Backplate with cutout for euro profile cylinders for use with sashlocks	Plate mounted lever handle Ø22 Backplate with bathroom function turn with outside indicator and emergency release. Handed assembly - see below.
Dimensions:	170 x 170 x 2mm	170 x 170 x 2mm	170 x 170 x 2mm
Fixings:	Supplied as a pair with bolt through fixings and 8mm spindle suitable for doors 44 - 54mm *	Supplied as a pair with bolt through fixings and 8mm spindle suitable for doors 44 - 54mm *	Supplied as a pair with bolt through fixings and 8mm spindle suitable for doors 44 - 54mm*
Finish:	All items are available in Satin Stainless Steel		



Left hand
4702BP.WC.22.140.SS.L



Right hand
4702BP.WC.22.140.SS.R

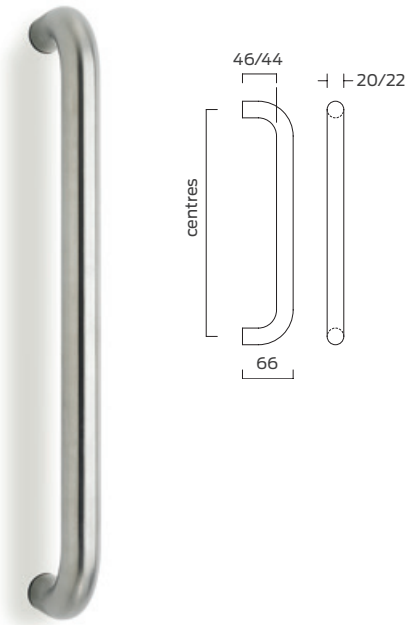


Product Ref:	4713.4	4714.4	4715.4
Function:	Euro profile cylinder escutcheon	Lever key escutcheon	Blank escutcheon
Description:	Ø52 x 4mm with snap on cover. Supplied as pairs as standard. Bolt through fixings supplied as standard suitable for doors 44mm-54mm. Alternative fixings available.		
Finish:	All items are available in Satin Stainless Steel		

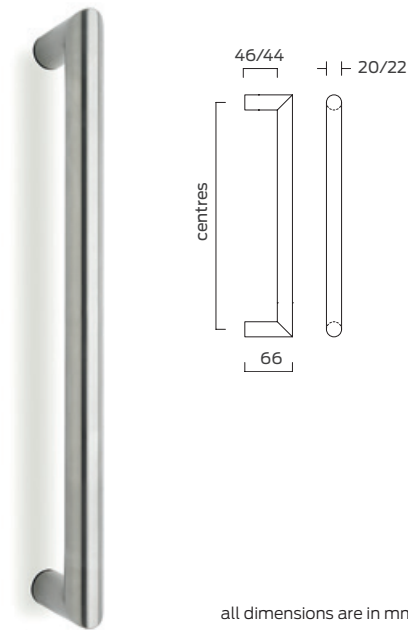


Product Ref:	4710	4711
Function:	Bathroom turn & indicator	Bathroom extended turn & indicator
Description:	Ø52 x 4mm with 8mm spindle and bolt through fixings for doors 38 - 44mm For doors 44 - 54mm thick please specify 4710.XSP (for 4710) or 4711.XSP (for 4711)	
Finish:	All items are available in Satin Stainless Steel	

4700 Series - Pull Handles



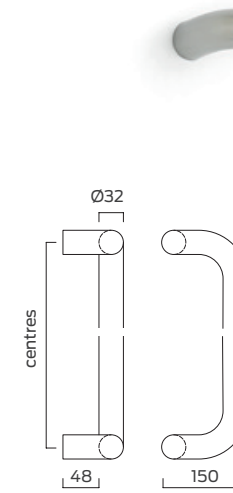
Description:	D pull handle - Round bar section							
Product Ref:	4721.20.200	4721.22.200	4721.20.300	4721.22.300	4721.20.400	4721.22.400	4721.20.600	4721.22.600
Diameter: mm	20	22	20	22	20	22	20	22
Centres:	200		300		400		600	



Description:	Mitred handle - Round bar section							
Product Ref:	4722.20.200	4722.22.200	4722.20.300	4722.22.300	4722.20.400	4722.22.400	4722.20.600	4722.22.600
Diameter: mm	20	22	20	22	20	22	20	22
Centres:	200		300		400		600	

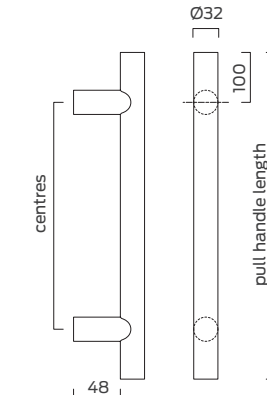
all dimensions are in mm

Pull handles available as single or back to back



all dimensions are in mm

Description:	Cranked pull handle - Round bar section	
Product Ref:	4723.32.400	4723.32.600
Diameter:	32mm	32mm
Centres:	400	600



Description:	Pillar pull handle - Round bar section	
Product Ref:	4724.32.400	4724.32.600
Diameter:	32mm	32mm
Centres:	200	400



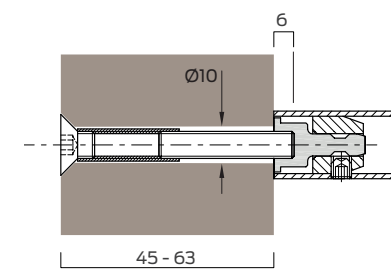
Pull handle fixings

All Briton 4700 Series pull handles can be ordered individually and must be ordered together with a standard fixing pack which contains all the components required to mount the pull handle in any of the 4 applications shown opposite.

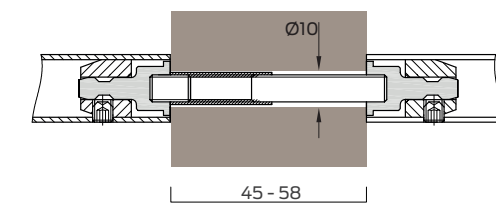
For back to back assembly simply order two individual pull handles plus two standard fixing packs.

Product Ref:	Description
4726	Standard fixing pack for timber, metal or glass doors (order 2 packs for back to back assemblies)

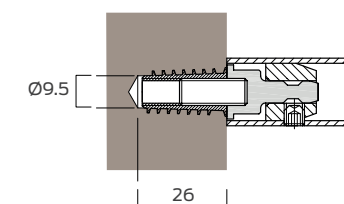
Pull handle fixing options (included in Standard fixing pack)



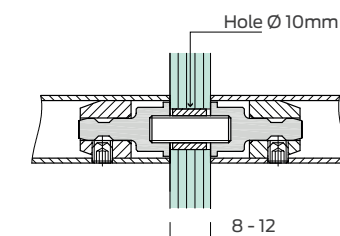
Bolt through - single pull handle



Back to back pair on timber door



Secret fix - single pull handle



Back to back pair on glass door

4700 Series - Pull Handles & Push Plates

Rose mount fixings

Briton 4721 and 4722 pull handles can be ordered with an optional face fixed rose. Roses are supplied with stainless steel face fixing screws. Snap fit push on covers conceal all fixings.



Push plates

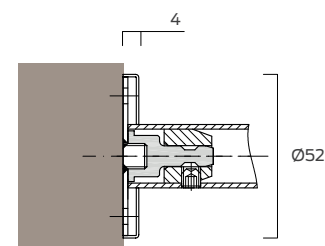
A range of push plates with radiused corners designed for use on the reverse of a pull handle with bolt through fixing. Each plate should be chosen to cover the pull handle fixing bolts.



Rose mount fixings

One fixing pack is required for each pull handle and they must be ordered according to the pull handle diameter (20 or 22mm).

Product Ref:	Description
4725.20	Face fixed rose mounting kit for 20mm diameter pull handles.
4725.22	Face fixed rose mounting kit for 22mm diameter pull handles.



Product Ref:	Description
4730.75.375	75mm x 375mm Plain
4730.75.475	75mm x 475mm Plain
4730.75.675	75mm x 675mm Plain
4731.75.375	75mm x 375mm Engraved 'PUSH'
4731.75.475	75mm x 475mm Engraved 'PUSH'
4731.75.675	75mm x 675mm Engraved 'PUSH'
4732.75.375	75mm x 375mm Engraved 'PULL'
4732.75.475	75mm x 475mm Engraved 'PULL'
4732.75.675	75mm x 675mm Engraved 'PULL'

4700 Series - Accessories

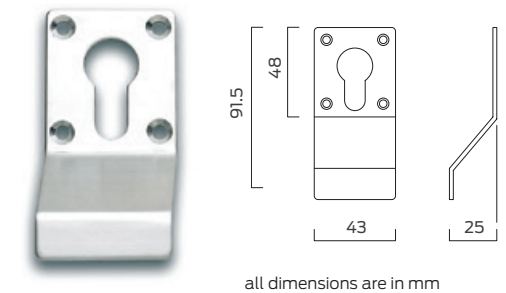
Symbols & signage

A range of 76mm dia. x 1.5mm face fixed stainless steel signs and symbols are available. Supplied with stainless steel woodscrew fixings.



Cylinder pull

Formed stainless steel cylinder pull for euro profile cylinder supplied with stainless steel face fixing screws. Ideally suited to use with mortice nightlatches.



Product Ref:	Description
4733	Cylinder pull with aperture for euro profile cylinder.

Product Ref:	Description
4750.01	Unisex symbol
4750.02	Male symbol
4750.03	Female symbol
4750.04	Disabled symbol
4750.05	WC sign
4750.06	Shower symbol
4750.07	Baby Change symbol
4750.08	Push
4750.09	Pull
4750.10	Fire door keep shut
4750.11	Fire door keep locked
4750.12	Automatic fire door keep clear



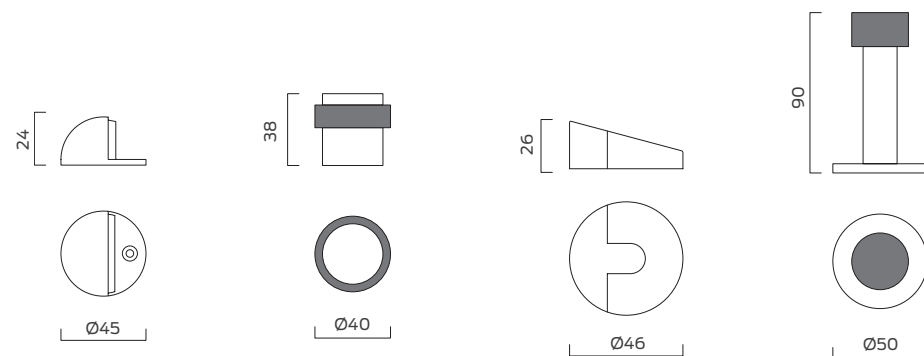
4700 Series - Accessories

Door stops

A series of wall and floor mounted door stops. Supplied with stainless steel fixings.



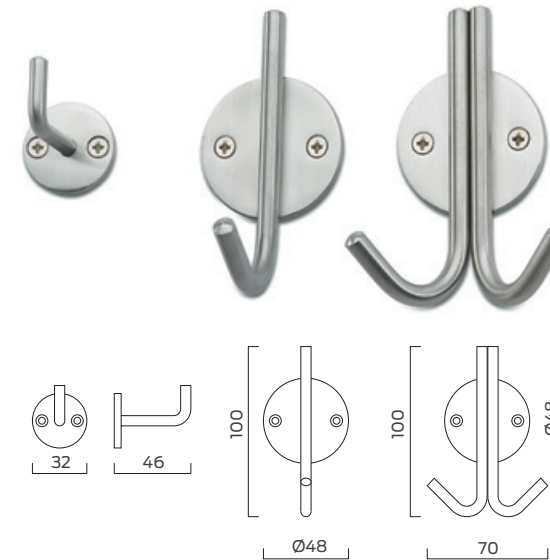
Ref:	4740	4741	4742	4743
Description:	Domed floor mounted door stop	Floor mounted door stop	Wedge shaped floor mounted door stop	Wall or skirting mounted door stop
Dimensions:	Ø45 x 24mm	Ø40 x 38mm	Ø46 x 26mm	Ø50 x 90mm



4700 Series - Accessories

Hooks

A series of face fixed single and double hooks. Supplied with stainless steel face fixings.



all dimensions are in mm



Ref:	Description
4744	Single hook - small, face fixed
4745.1	Single hook - large, face fixed
4745.2	Double hook - large, face fixed

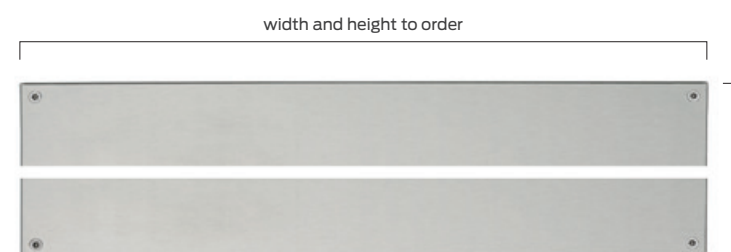
Kick plates

Kick plates are available in Grade 304 stainless steel in heights and widths to order. Plates have square corners as standard but are also available with radiused corners (5mmR or 10mmR).

Supplied with face fixings as standard (self adhesive option also available).

Other options and materials are available - please ask for details.

Plates are priced per square metre.



Ref:	Description
4760.304	Kick plate 1.2mm thick. Satin stainless steel Grade 304. Square corners with face fixing screws.
4761.304	Kick plate 1.5mm thick. Satin stainless steel Grade 304. Square corners with face fixing screws.

4800 Series - Hinges

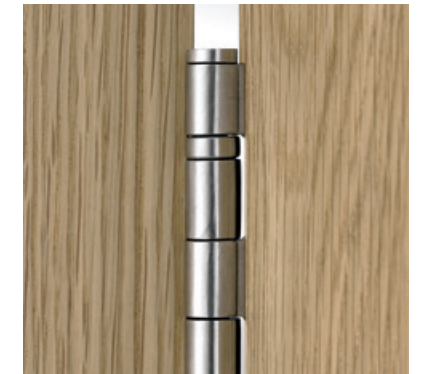
The first step in specifying hardware for any door is the method of hanging. Unless the door is to be fitted with a floor spring the door will be fitted with hinges, normally with 3 hinges per leaf (or more for larger or heavier doors, fitted in a pattern in accordance with BS EN 1935). The use of high quality hinges which are accurately fitted can have a significant bearing on the operating characteristics of the door which in turn will affect the efficiency of other hardware items, notably door closers and mortice locks.



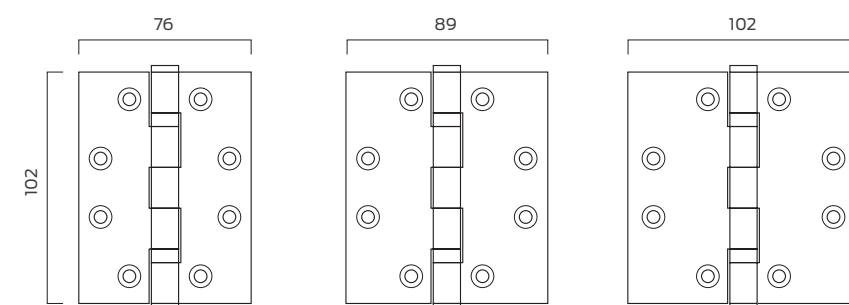
High performance for all commercial applications

Features & Benefits

- Five knuckle ball bearing hinges.
- Suitable for timber and metal doors up to 120kgs.
- Template drilled for consistency and accuracy.
- Available in Grade 316 or Grade 304 stainless steel and in satin or polished finish.
- Also available with machine screws for use with metal doorsets.
- Options for security dog bolt.



Product ref.	Size	Dog bolt	Material Grade	Finish
4801	102 x 76 x 3		304	SS; PS
4802	102 x 89 x 3		304	SS; PS
4803	102 x 102 x 3		304	SS; PS
4801.316	102 x 76 x 3		316	SS; PS
4802.316	102 x 89 x 3		316	SS; PS
4803.316	102 x 102 x 3		316	SS; PS
4811	102 x 76 x 3	■	304	SS; PS
4812	102 x 89 x 3	■	304	SS; PS
4813	102 x 102 x 3	■	304	SS; PS
4811.316	102 x 76 x 3	■	316	SS; PS
4812.316	102 x 89 x 3	■	316	SS; PS
4813.316	102 x 102 x 3	■	316	SS; PS



IMPORTANT NOTE - Fire door applications

A hinge which is certified for a 1 hour fire door can not be fitted to a 30 min fire door unless certified as the door constructions may be different.

Testing & Certification

CE marked to EN1935:2002 Grade 13

CE classification: **4 7 6 1 1 4 0 1 3**

Fire tested to EN1634 on timber doors to achieve a 30 minute and 1 hour fire rating

Full Declaration of Performance available from our website at:

www.britondops.co.uk

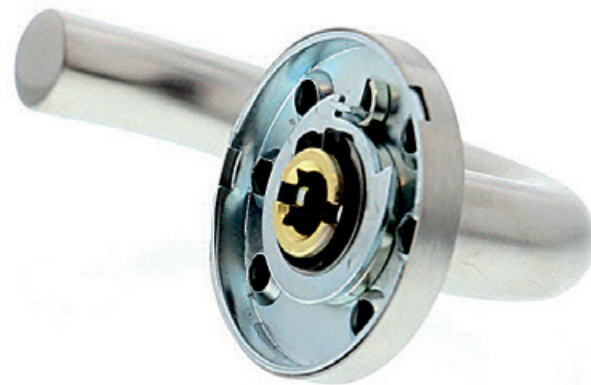


What's in the box?

- Hinge boxed individually
- Installation instructions

4200 Series - Contract Lever Furniture

The Briton Contract Series of door hardware is a compact range of lever furniture and accessories in the most popular designs. All items are available in satin stainless steel finish.



Features & Benefits

- All items manufactured in stainless steel Grade 304
- Levers are prefixed to sprung roses with push on covers in satin stainless steel
- M4 bolt through fixings and threaded bushes on lever furniture provide a strong bolt through fixing.
- Supplied with spindle and fixings as standard to suit doors 38 - 54mm thick
- Levers supplied with 8mm spindle
- Sprung roses 8mm thick with matching escutcheons

all dimensions are in mm

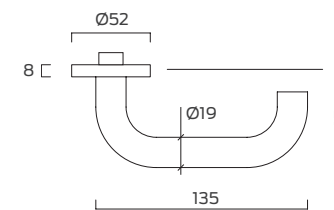
A compact range of contract quality door furniture in satin stainless steel



4201.19.SS

Return to door, Ø19mm round bar lever handle on rose with bolt through fixings at 38mm centres.

Conforms to dimensional recommendations of BS 8300.

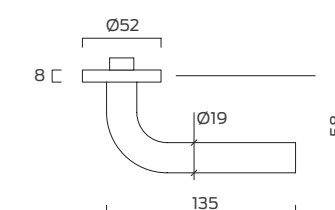


all dimensions are in mm



4203.19.SS

Straight Ø19mm round bar lever handle on rose with bolt through fixings at 38mm centres.



Testing & Certification

Tested to EN 1906 with Grade 3 Category of Use

Tested to EN 1906 with Grade 7 Durability (200,000 cycles)

Tested to EN 1673 with Grade 3 Corrosion Resistance

Fire tested to EN1634 on timber doors to achieve a 2 hour fire rating, and 4 hour for metal doors.

Full Declaration of Performance available from our website at:

www.britondops.co.uk



What's in the box?

- Pair of levers on roses
- Push on rose covers
- 8mm spindle & bolt through fixings for 35 - 54mm doors
- Hexagon wrench

4200 Series - Contract Lever Furniture



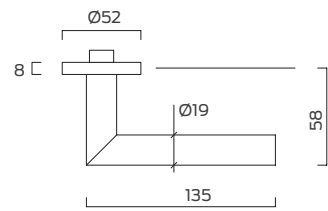
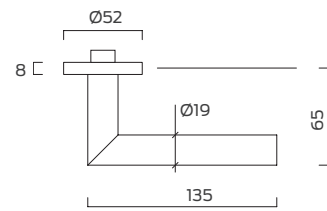
4204.19.SS

Straight mitred, Ø19mm round bar lever handle on rose with bolt through fixings at 38mm centres.



4205.19.SS

Curved mitred Ø19mm round bar lever handle on rose with bolt through fixings at 38mm centres.



Ref:	4070
Description:	Domed floor mounted door stop for wood/concrete floors
Dimensions:	Ø40 x 24mm



Product Ref:	4213.8.SS	4214.8.SS	4215.8.SS
Function:	Euro profile cylinder escutcheon	Lever key escutcheon	Blank escutcheon
Description:	Ø52 x 8mm with snap on cover. Supplied as pairs as standard. Bolt through fixings supplied as standard suitable for doors 44mm-54mm. Alternative fixings available.		

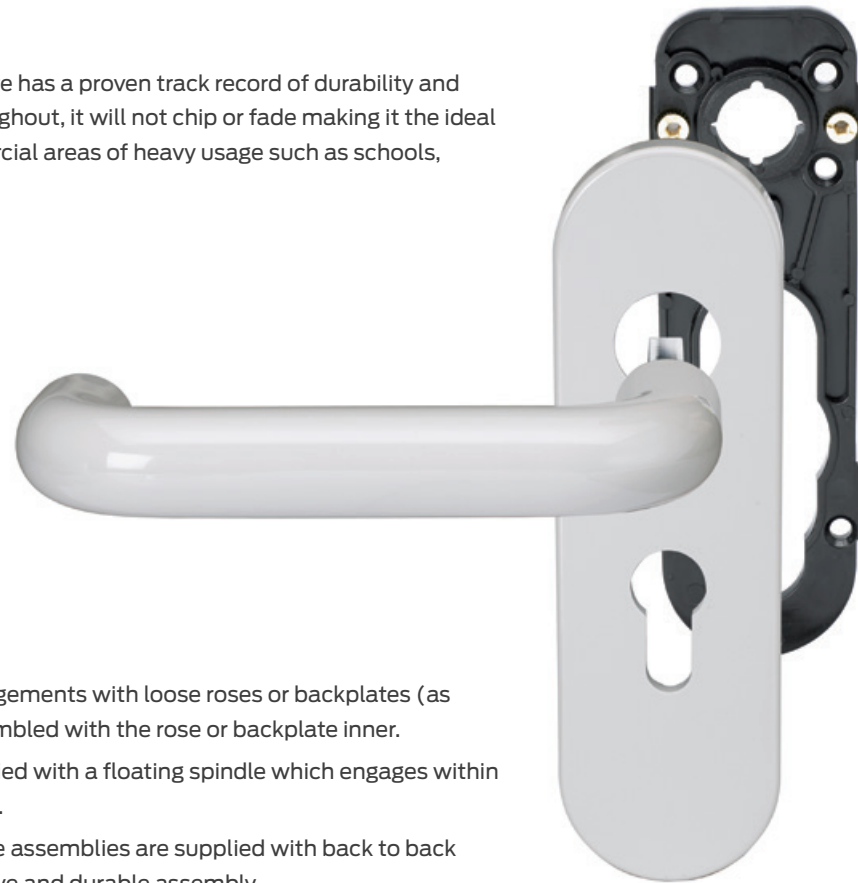


Product Ref:	4210	4211
Function:	Bathroom turn & indicator	Bathroom extended turn & indicator
Description:	Ø52 x 8mm with 5mm spindle and bolt through fixings for doors 38 - 44mm	

Product ref.	Description	Material Grade	Finish
4201.19.SS	Rose mounted lever handles - Ø19mm round bar return to door	304	.SS
4203.19.SS	Rose mounted lever handles - Ø19mm round bar straight	304	.SS
4204.19.SS	Rose mounted lever handles - Ø19mm straight mitred	304	.SS
4205.19.SS	Rose mounted lever handles - Ø19mm curved mitred	304	.SS
4213.8.SS	Euro profile cylinder escutcheon - pair	304	.SS
4214.8.SS	Lever key escutcheon - pair	316	.SS
4215.8.SS	Blank escutcheon - pair	304	.SS
4210.SS	Bathroom turn and indicator	304	.SS
4211.SS	Extended bathroom turn and indicator	304	.SS
4200.5.FP	5mm x 60mm spindle and adapter for lockcases with 8mm bathroom function followers	316	.SS
4070	Domed floor mounted door stop	316	.SS

NORMBAU - Nylon Door Furniture

Normbau solid nylon hardware has a proven track record of durability and performance. Coloured throughout, it will not chip or fade making it the ideal choice for public and commercial areas of heavy usage such as schools, hospitals and leisure centres.



Lever assemblies

Levers are supplied in 3 arrangements with loose roses or backplates (as shown opposite) or pre-assembled with the rose or backplate inner.

In all cases, one lever is supplied with a floating spindle which engages within the lever on the opposite side.

All lever and rose or backplate assemblies are supplied with back to back through fixings to give a positive and durable assembly.

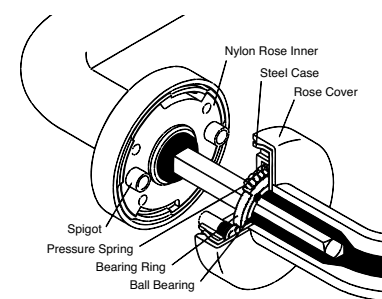
Tough, hygienic and warm to the touch

Features & Benefits

- Available in solid nylon or with a steel core for additional strength
- All products are available with an anti-microbial ingredient which provides high levels of resistance to the spread of bacterial infections
- Normbau nylon products are precision manufactured from high strength polyamide nylon that is:
 - Scratch resistant
 - Hygienic
 - Cadmium free
 - Anti-static
 - Highly resistant to weather, fading and ageing
- All lever assemblies have concealed bolt through fixings with snap on rose, escutcheon and backplate covers
- Supplied with all fixings and spindles for specified door thicknesses
- Resistant to conventional domestic cleaners, disinfectants, dilute acids and alkalis.
- Inherently warm to the touch making them ideally suited to situations which have to conform to BS 8300 recommendations
- All products are available as standard in 9 distinctive colours

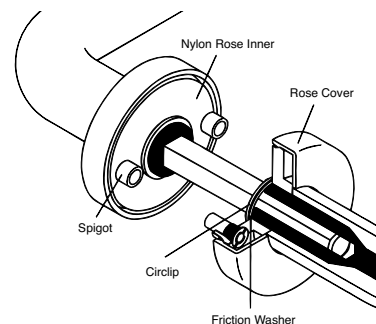
Ball bearing mounting

Levers are supplied with backplates or roses which incorporate a ball bearing race which retains the lever for a quick and maintenance free assembly.



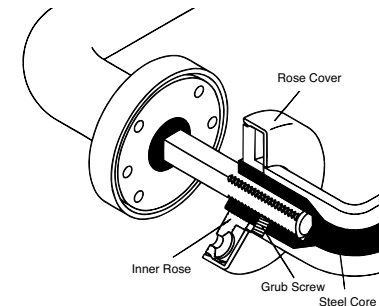
Fixed roses and backplates

Levers are supplied pre-assembled to the rose or plate inner with a friction washer and circlip fixing ensuring a durable performance.



Spindle fixed separate levers

Levers are supplied with loose roses or backplates. The threaded end of the floating spindle is held firmly in place within the inside lever by a grub screw.



Testing & Certification

Tested to EN 1906 with Grade 4 Category of Use

Approved by PSA to MOB H3PS high duty performance

Fire tested to EN1634 on timber doors to achieve a 1 hour fire rating (pull handles), 2 hour rating (lever furniture) and 4 hour for metal doors (pull and lever furniture).

Full Declaration of Performance available from our website at:

www.britondops.co.uk



What's in the box?

- Pair of levers on roses
- Push on rose covers
- 8mm spindle & bolt through fixings for 35 - 54mm doors
- Hexagon wrench
- Installation instructions

NORMBAU - Nylon Door Furniture



Protection from harmful micro-organisms



Public areas are touched frequently and by many hands – so hygiene can often be a concern. NORMBAU® products contain an effective antibacterial protection which helps eliminate potentially harmful bacteria, in these frequently contacted products.

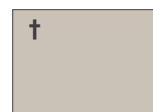


All products are available as standard in 9 distinctive colours. Other colours to match corporate environments can be achieved at additional cost.

For the purpose of colour co-ordination with other building elements we have provided the nearest RAL-DS colour reference.



White 19 - NWH
RAL-DS 000 95 00



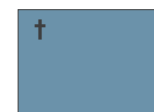
Manhattan 67 - NMG
RAL-DS 080 70 05



Dk Grey 18 - NDG
RAL-DS 000 35 00



Black 16 - NBL
RAL-DS 000 15 00



Slate Blue 63 - NSB
RAL-DS 240 50 15



Blue 11 - NBU
RAL-DS 270 30 40



Dk Blue 37 - NDB
RAL-DS 270 20 25



Red 12 - NRE
RAL-DS 030 30 45



Yellow 22 - NYE
RAL-DS 080 80 90

† Colours with antibacterial protection as standard



Normbau antibacterial protection is an integral constituent embedded within the nylon during production which provides effective and long-lasting protection against the growth of harmful micro-organisms and bacteria such as E.coli, S. aureus and MRSA.

It provides an extra level of hygiene in hospitals, care homes and many other types of public access buildings, helping to keep surfaces cleaner and reduce the risk of cross-contamination.

Please note, colours marked † opposite have the Normbau antibacterial protection as standard.

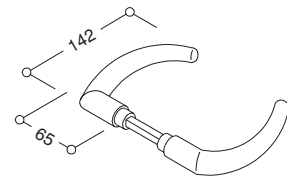
NORMBAU - Nylon Door Furniture

Ball bearing mounting

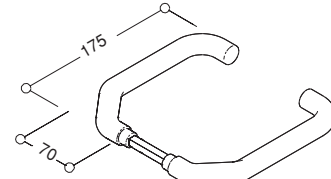
Levers and knobs are supplied for mounting on specific ball bearing roses or backplates.

For rose mounted versions please specify the rose and appropriate escutcheon required.

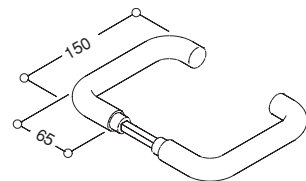
For plate mounted versions specify the plate function required.



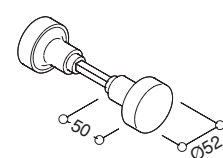
Ref:	23mm Ø - Coupe lever Steel cored
0282 01	Lever pair c/w spindle
0282 03	1/2 set without spindle



Ref:	23mm Ø - Cranked lever Steel cored
0388 01	Lever pair c/w spindle
0388 03	1/2 set without spindle
0388 41	1/2 set c/w 1/2 spindle



Ref:	23mm Ø - Return to door lever Steel cored
0389 01	Lever pair c/w spindle
0389 03	1/2 set without spindle
0389 41	1/2 set c/w 1/2 spindle

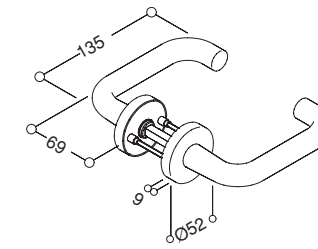


Ref:	52mm Ø - Knob
0387 01	Knob pair c/w spindle
0387 05	1/2 set without spindle

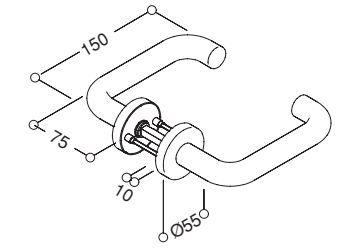
Fixed roses and backplates

Levers are supplied pre-fixed to the rose or plate inner. Cover plates are snap fit to conceal all fixings.

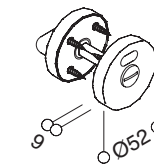
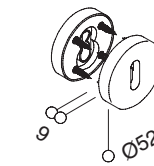
For rose mounted versions, specify the appropriate escutcheons if required.



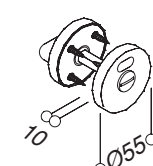
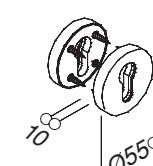
Ref:	20mm Ø - Steel cored lever on 52Ø rose
0516 01	Lever pair c/w spindle



Ref:	23mm Ø - Steel cored lever on 55Ø rose
0516 03	Lever pair c/w spindle

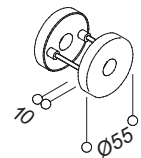


Ref:	Escutcheons 52mm Ø
0247 26	Blind escutcheon
0247 31	Lever key escutcheon
0247 32	Euro profile cylinder escutcheon
0247 90	Oval profile cylinder escutcheon
0358 34*	Bathroom turn/indicator
6432 00**	Bathroom turn - large, and indicator

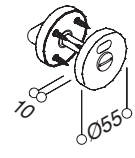
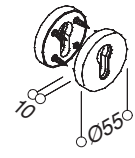


Ref:	Escutcheons 55mm Ø
0396 26	Blind escutcheon
0396 31	Lever key escutcheon
0396 32	Euro profile cylinder escutcheon
0396 47	Oval profile cylinder escutcheon
0397 40**	Bathroom turn/indicator

Roses, escutcheons and backplates

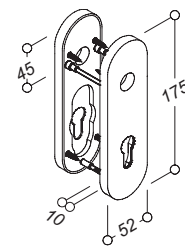


Ref:	Ball bearing rose
0390 03	Pair - suitable for all levers and knob



Ref:	Escutcheons
0396 26	Blind escutcheon
0396 29	Lever key escutcheon for lever locks
0396 30	Euro profile cylinder escutcheon
0397 40**	Bathroom function turn and indicator/release

** Supplied with 8mm spindle



Ref:	Ball bearing plate
0405 05	Latch only
0405 02	Euro profile cylinder - 72mm c-c
0405 03**	Bathroom function - 78mm c-c

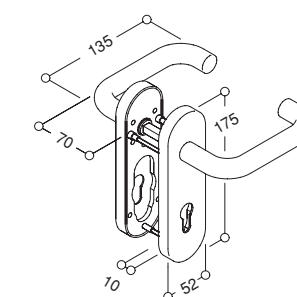


Plate mounted	20mmØ Lever	23mmØ Lever
Latch only	0623 20	0434 20
Lever key @ 57mm centres	0623 73	0434 73
Euro profile cylinder - 57mm centres	0623 74	0434 74
Euro profile cylinder - 72mm centres	0623 17	0434 17
Oval profile cylinder - 57mm centres	0623 75	0434 75
Oval profile cylinder - 72mm centres	0623 76	0434 76
Bathroom function - 57mm centres	0623 77*	0434 77*
Bathroom function - 78mm centres	0623 18**	0434 18**

* Supplied with 5mm spindle

** Supplied with 8mm spindle

NORMBAU - Nylon Door Furniture

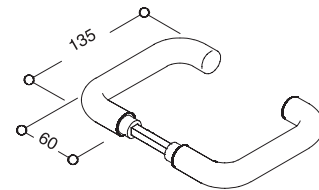
Spindle fixed levers

Levers and roses or backplates are supplied separately.

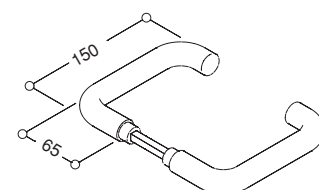
Roses are available with springing to suit lightly sprung latches.

Levers are available in solid nylon or steel cored for extra strength and fire door applications. Steel cored levers must be ordered to suit the door thickness.

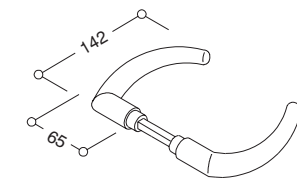
Remember to specify escutcheons if required when using rose mounted levers.



Ref:	20mm Ø lever
0246 08	Solid nylon
0570 15	Steel cored - for doors 23-37mm thick
0570 08	Steel cored - for doors 38-52mm thick
0570 14	Steel cored - for doors 53-63mm thick



Ref:	23mm Ø lever
0246 18	Solid nylon
0571 15	Steel cored - for doors 23-37mm thick
0571 08	Steel cored - for doors 38-52mm thick
0571 14	Steel cored - for doors 53-63mm thick

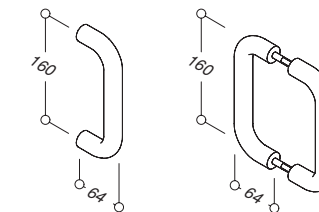


Ref:	23mm Ø Coupe lever
0577 01	Steel cored - for doors 23-37mm thick
0577 02	Steel cored - for doors 38-52mm thick
0577 03	Steel cored - for doors 53-63mm thick

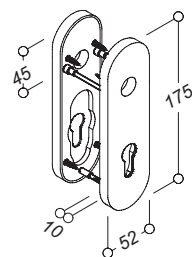
The in-built strength of Normbau pull handles provides both durable fixing and lasting aesthetics. Available in either solid nylon or with a steel core for added strength, the pulls can be fitted singly or back to back in pairs using a variety of fixing types.

Each Normbau pull handle design is available as a 'thread side' or 'pin side' pull handle and should be specified according to the required fixing type. For example, a back to back pair requires one 'thread side' and one 'pin side' pull together with fixing pack 0471.

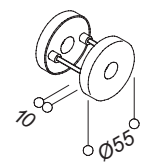
[Note: the smaller 23mm Ø pulls are the only exception and are supplied as dedicated single bolt through, back to back or face fixed assemblies].



Ref:	23mm Ø solid nylon
0309 17	Single bolt through - supplied without fixings
0309 19	Back to back pair
0309 20	Single face fixing on 55mm Ø roses

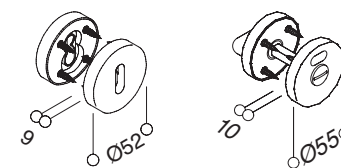


Ref:	Backplate mounting
0525 10	Latch only
0525 08	Lever key - 57mm c-c
0525 09	Euro cylinder - 57mm c-c
0523 22	Euro cylinder - 72mm c-c
0525 13	Oval cylinder - 48.5mm c-c
0525 14	Oval cylinder - 56mm c-c
0525 12	Oval cylinder - 57mm c-c
0525 11*	Bathroom function - 57mm c-c
0524 28**	Bathroom function - 78mm c-c

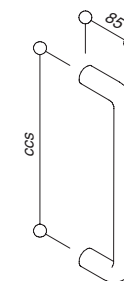


Ref:	Rose mounting
0247 10	Rose 52mm Ø
0247 39	Sprung inner to suit 52mm Ø rose
0396 02	Rose 55mm Ø

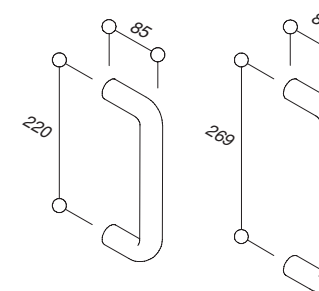
* Supplied with 5mm spindle
** Supplied with 8mm spindle



Ref:	Escutcheons 52 & 55mm Ø
0247 26	52mm Ø - Blind
0247 31	52mm Ø - Lever key
0247 32	52mm Ø - Euro cylinder
0247 90	52mm Ø - Oval cylinder
0358 34*	52mm Ø - Bathroom function
6432 00**	52mm Ø - Bathroom function - large turn
0396 26	55mm Ø - Blind
0396 29	55mm Ø - Lever key
0396 30	55mm Ø - Euro cylinder
0396 47	55mm Ø - Oval cylinder
0397 40**	55mm Ø - Bathroom function

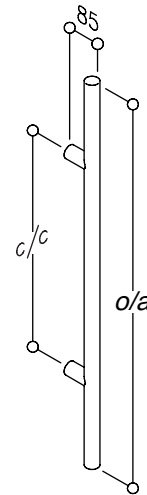
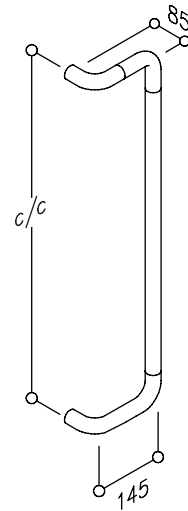
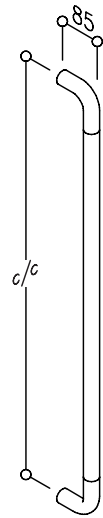


centres	34mm Ø steel cored	
	Thread side pull	Pin side pull
200mm	0439 01	0439 11
300mm	0444 01	0444 06
400mm	0363 19	0363 29
500mm	0363 18	0363 28
600mm	0363 17	0363 27



centres	34mm Ø solid nylon	
	Thread side pull	Pin side pull
220mm	0363 01	0363 11
269mm	0364 01	0364 11

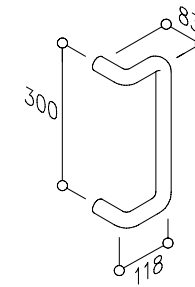
NORMBAU - Nylon Door Furniture



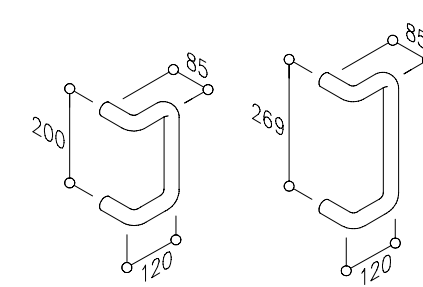
34mm Ø steel cored		
centres (mm)*	Thread side pull	Pin side pull
230 - 670	0767 01	0767 06
671 - 1170	0767 03	0767 08
1171 - 1660	0767 04	0767 09
1661 - 2200	0767 05	0767 10

34mm Ø steel cored		
centres (mm)*	Thread side pull	Pin side pull
201 - 670	0767 11	0767 16
671 - 1170	0767 13	0767 18
1171 - 1600	0767 14	0767 19
1601 - 2200	0767 15	0767 20

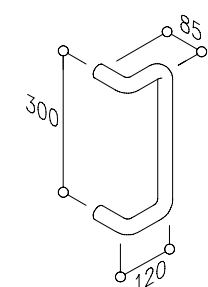
34mm Ø steel cored		
centres (mm)*	Thread side pull	Pin side pull
200 - 510	0767 21	0767 26
511 - 1010	0767 23	0767 28
1011 - 1460	0767 24	0767 29
1461 - 2200	0767 25	0767 30



31mm Ø solid nylon		
centres	Thread side pull	Pin side pull
300mm	0443 12	0443 22

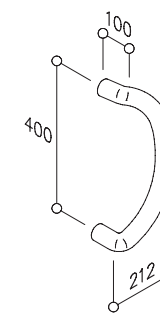


34mm Ø solid nylon		
centres	Thread side pull	Pin side pull
200mm	0438 02	0438 12
269mm	0303 06	0303 16
300mm	0443 02	0443 32



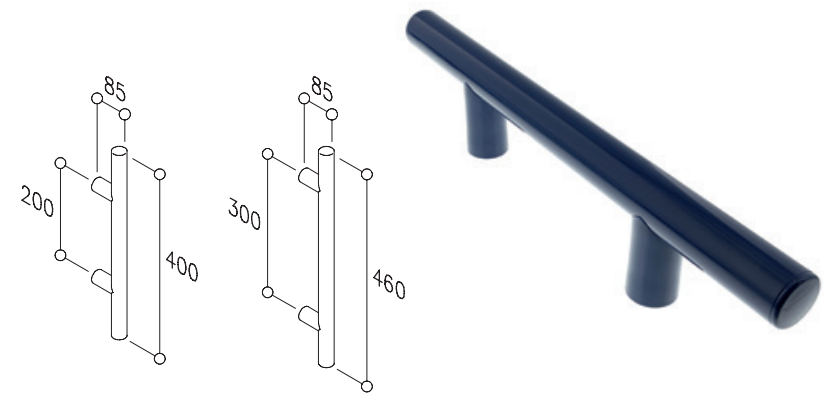
* The pull handles shown on this page are made to order to suit the fixing centres required. The figures shown in the tables above show the upper and lower limits of the centres.

For pillar fixed pull handles 0767 21 to 0767 30 the overall length of the handles is C/C + 200mm.

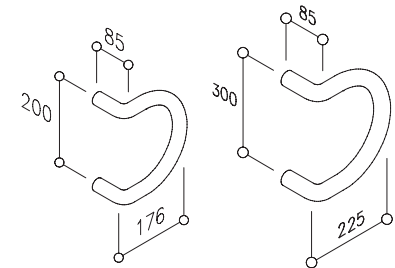


34mm Ø solid nylon		
centres	Thread side pull	Pin side pull
400mm	0440 10	0440 40

NORMBAU - Nylon Door Furniture

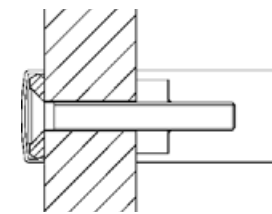


34mm Ø solid nylon		
centres	Thread side pull	Pin side pull
200mm	0441 01	0441 11
300mm	0445 01	0445 11

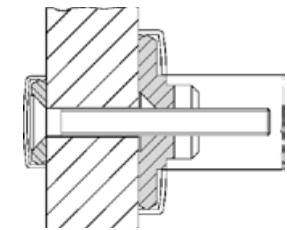


34mm Ø solid nylon		
centres	Thread side pull	Pin side pull
200mm	0440 01	0440 31
300mm	0440 06	0440 36

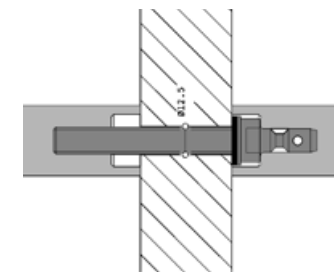
NORMBAU - Pull Handle Fixings



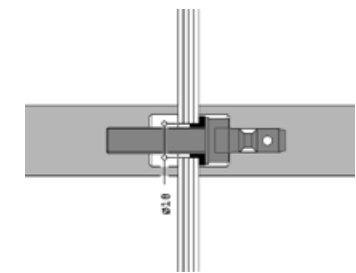
Product Ref:	Bolt through with screw cover cap
0365 12	For 31mm Ø pull handles
0365 12	For 34mm Ø pull handles
0365 22	For 40mm Ø pull handles
0365 37	Bolt only
	For use with 'thread side' pulls only



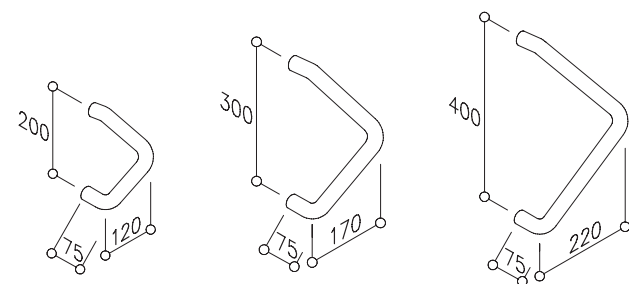
Product Ref:	Bolt through with screw cover cap & rose
0381 17	For 31mm Ø pull handles - roses 70mm Ø
0365 17	For 34mm Ø pull handles - roses 70mm Ø
0365 27	For 40mm Ø pull handles - roses 80mm Ø
	For use with 'thread side' pulls only



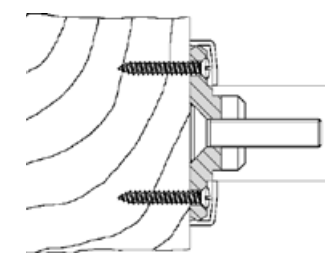
Ref:	Back to back fixing on timber
0471 11	For door thickness 38 - 48mm
0471 12	For door thickness 48 - 58mm
	Use with 'thread side' and 'pin side' pulls



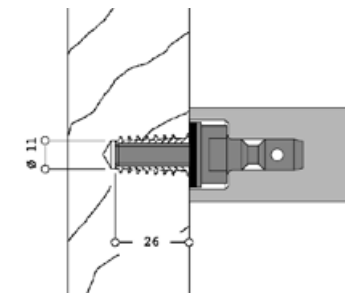
Ref:	Back to back fixing on glass
0471 44	For glass thickness 8 - 18mm
	Hole dia. in glass 12mm
	Use with 'thread side' and 'pin side' pulls



34mm Ø solid nylon		
centres	Thread side pull	Pin side pull
200mm	0440 09	0440 39
300mm	0440 11	0440 41
400mm	0440 13	0440 43



Ref:	Face fixing with covered roses
0381 19	For pull handles 31mm Ø - roses 70mm Ø
0365 19	For pull handles 34mm Ø - roses 70mm Ø
0365 29	For pull handles 40mm Ø - roses 80mm Ø
	For use with 'thread side' pulls only



Ref:	Blind fixing on timber
0471 32	For all pull handles 31mm Ø - 40Ø
	For use with 'pin side' pulls only

NORMBAU - Accessories

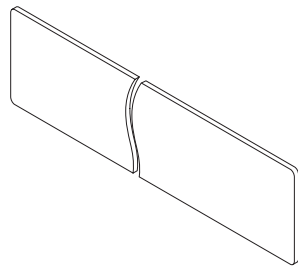
Push plates for use with bolt through pull handles and kicking plates are available in a powder coated finish to match the Normbau Nylon colour range.

Push plates and kicking plates are supplied self adhesive. Screw fixed option available on request.

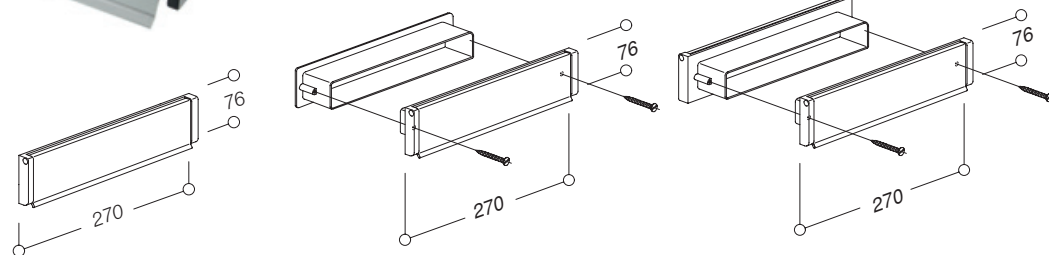
Please contact us for further information.



Ref: **7000 12**
Push plate
 Push plates available in various sizes

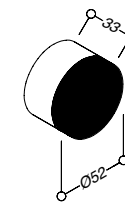


Ref: **7000 42**
Kicking plate
 Kicking plate available in size to order



	Sprung letter plate only	Sprung letter plate & liner	Sprung letter plate, liner & inside tidy
Aperture size	230 x 35mm	254 x 45mm	254 x 45mm
Colours 16 & 19	0621 21	0621 23	0621 25
Other colours	0021 21	0021 23	0021 25

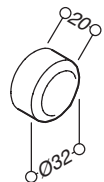
NORMBAU - Accessories



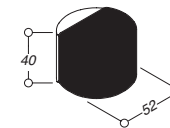
Ref: **0345 01**
Door stop
 Wall mounted with soft buffer



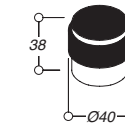
Ref: **0843 01**
Door stop
 Wall mounted with soft buffer



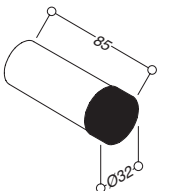
Ref: **0355 01**
Door stop
 Wall mounted



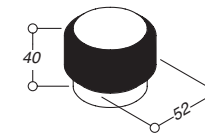
Ref: **0842 01**
Door stop
 Floor mounted with soft buffer



Ref: **0842 03**
Door stop
 Floor mounted with soft buffer



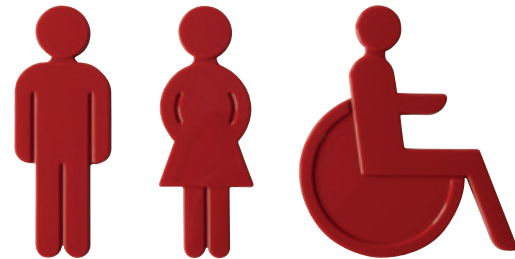
Ref: **0843 11**
Door stop
 Wall mounted with soft buffer



Ref: **0346 01**
Door stop
 Floor mounted with soft buffer

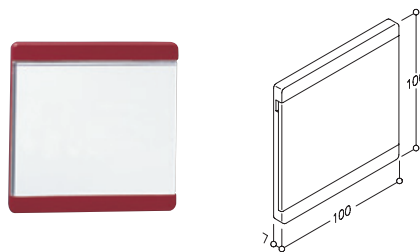


NORMBAU - Accessories



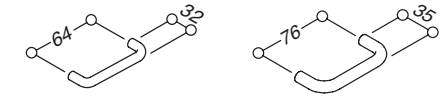
Product Ref:	Numerals - Self adhesive
0611 01	Figure 1 - 180mm high
0611 02	Figure 2 - 180mm high
0611 03	Figure 3 - 180mm high
0611 04	Figure 4 - 180mm high
0611 05	Figure 5 - 180mm high
0611 06	Figure 6 & 9 - 180mm high
0611 07	Figure 7 - 180mm high
0611 08	Figure 8 - 180mm high
0611 00	Figure 0 - 180mm high
0611 09	Letter a - 123mm high
0611 10	Letter b - 174mm high
0611 11	Letter c - 123mm high
0611 12	Letter d - 174mm high
0611 19	Dash (-) - 27mm high

Product Ref:	Symbols - Self adhesive
0510 01	Male - 130mm high
0510 02	Female - 130mm high
0510 04	Disabled - 130mm high

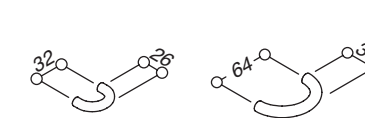


Product Ref:	Symbols - Self adhesive
0846 01	Male - 130mm high

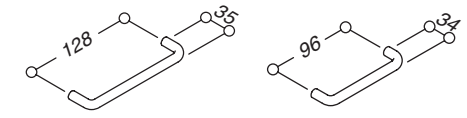
NORMBAU - Accessories



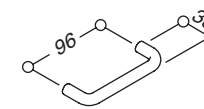
Product Ref:	Cabinet pulls - Bolt through fixing
0307 01	10mm Ø x 64mm - without screws
0307 02	10mm Ø x 64mm - with 4mm screws
0395 11	10mm Ø x 76mm - without screws



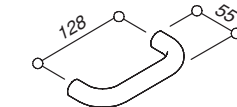
Product Ref:	Cabinet pulls - Bolt through fixing
0308 11	9mm Ø x 32mm - without screws
0308 01	11mm Ø x 64mm - without screws
0308 02	11mm Ø x 64mm - with 4mm screws



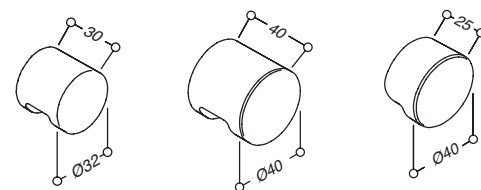
Product Ref:	Cabinet pulls - Bolt through fixing
0395 02	10mm Ø x 128mm - without screws
0395 05	10mm Ø x 128mm - with 4mm screws
0503 01	10mm Ø x 96mm - without screws



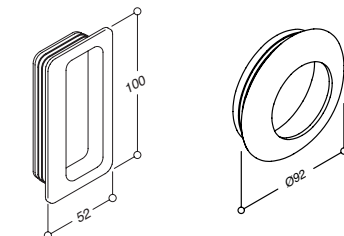
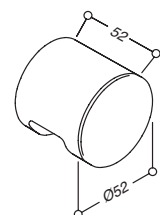
Product Ref:	Cabinet pulls - Bolt through fixing
0307 21	12mm Ø x 96mm - without screws
0307 22	12mm Ø x 96mm - with 4mm screws



Product Ref:	Cabinet pulls - Bolt through fixing
0309 01	20mm Ø x 128mm - without screws
0309 09	20mm Ø x 128mm - with 4mm screws

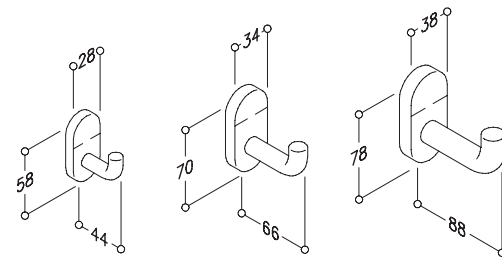


Product Ref:	Cabinet knobs - Bolt through fixing
0344 01	32mm Ø x 30mm projection
0391 01	40mm Ø x 40mm projection
0393 01	40mm Ø x 25mm projection
0234 02	52mm Ø x 52mm projection - pair
0234 04	52mm Ø x 52mm projection - single

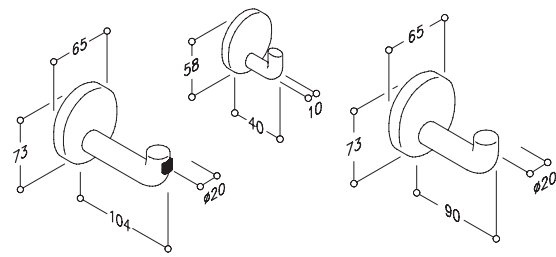


Product Ref:	Flush pulls
0342 01	Flush pull 100 x 52mm
0343 01	Flush pull 92mm Ø
0343 02	Flush pull 78mm Ø
0343 03	Flush pull 63mm Ø

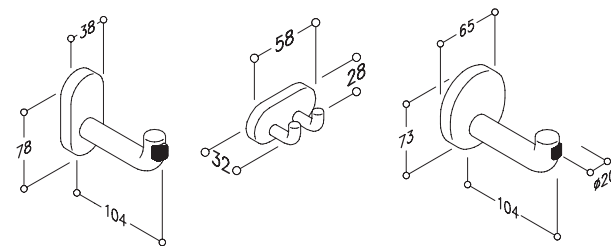
NORMBAU - Accessories



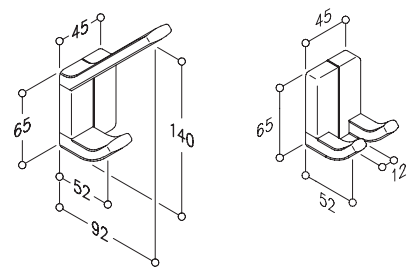
Product Ref:	Coat hook
0583 10	Coat hook - 44mm projection
0583 11	Coat hook - 66mm projection
0583 12	Coat hook - 88mm projection



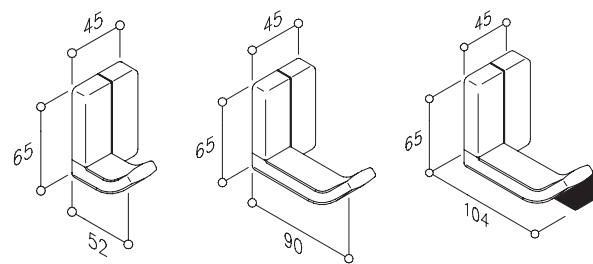
Product Ref:	Coat hook with buffer
0304 01	Coat hook with buffer - circular plate
0305 01	Coat hook - 10mm Ø
0339 01	Coat hook - 20mm Ø



Product Ref:	Double coat hook
0583 15	Buffered coat hook on oblong plate
0583 20	Double coat hook - 10mm Ø
0340 01	Buffered coat hook on round plate

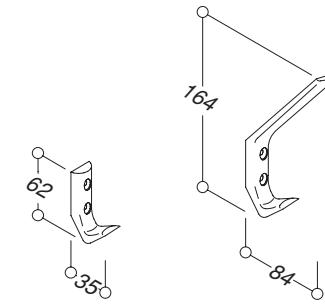


Product Ref:	Coat hook
0584 01	Hat & coat hook
0584 05	Double hook

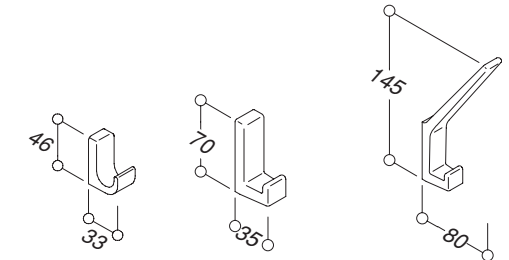


Product Ref:	Double coat hook
0584 02	Coat hook - 52mm projection
0584 03	Coat hook - 90mm projection
0584 04	Buffered coat hook - 104mm projection

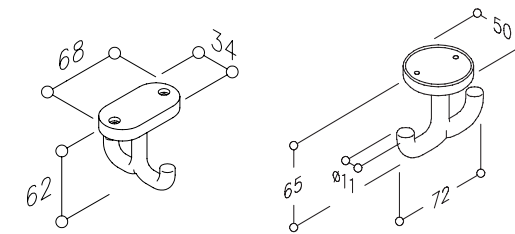
NORMBAU - Accessories



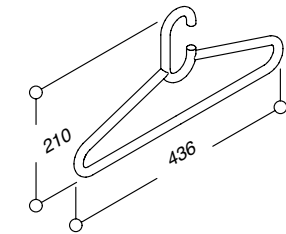
Product Ref:	Coat hook
0160 01	Coat hook 62 x 35mm
0160 02	Hat & coat hook 164 x 84mm



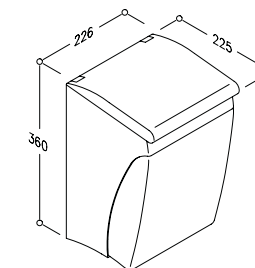
Product Ref:	Coat hook
0522 01	Coat hook 46 x 33mm
0180 04	Coat hook 70 x 35mm
0180 05	Hat & coat hook 145 x 80mm



Product Ref:	Double coat hook
0583 25	Double ceiling hook - 11mm Ø x 68mm
0148 02	Double ceiling hook - 11mm Ø x 72mm

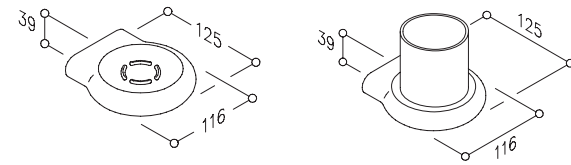


Product Ref:	Coat hangers
0338 01	Coat hanger - open
0512 01	Coat hanger - closed

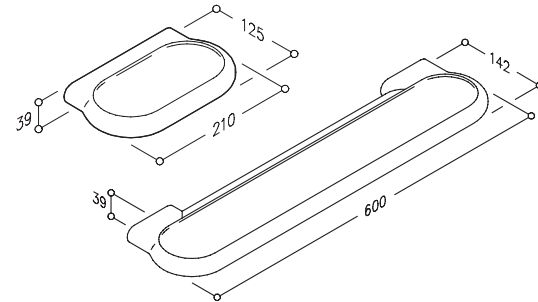


Product Ref:	Bin
0924 48	Waste bin

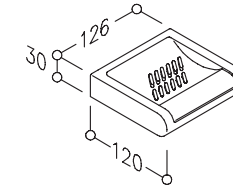
NORMBAU - Bathroom fittings



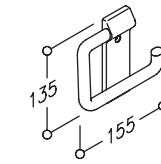
Product Ref:	Bathroom accessories
0925 01	Soap dish with drain hole
0925 02	Soap dish without drain hole
0925 11	Tumbler holder and nylon tumbler



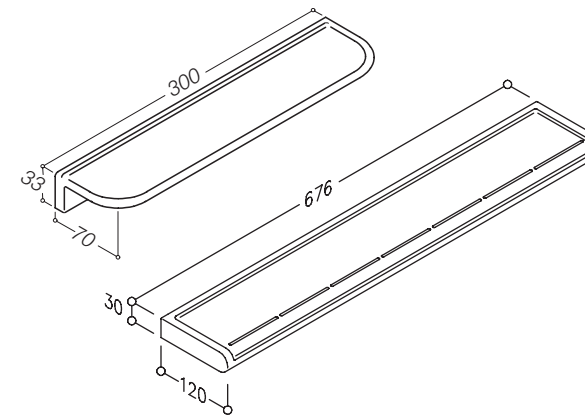
Product Ref:	Bathroom shelf
0925 21	Bathroom shelf - 125 x 210mm with drain hole
0925 22	Bathroom shelf - 125 x 210mm without drain hole
0925 26	Bathroom shelf - 143 x 600mm



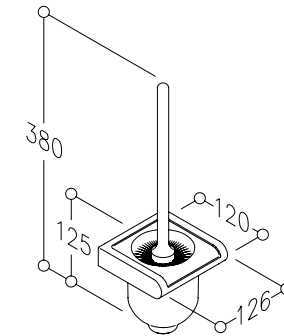
Product Ref:	Bathroom accessories
0824 01	Soap dish with drain hole
0824 02	Soap dish without drain hole



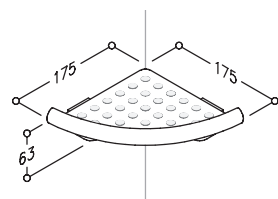
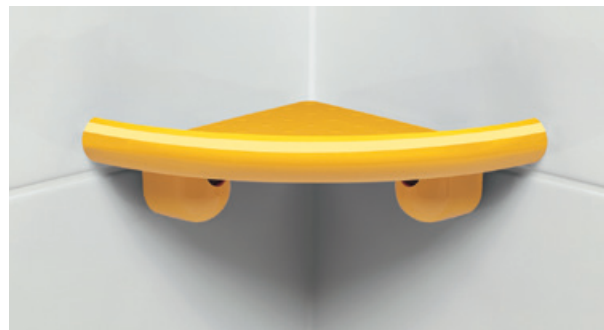
Product Ref:	WC roll holder
0149 01	Toilet roll holder



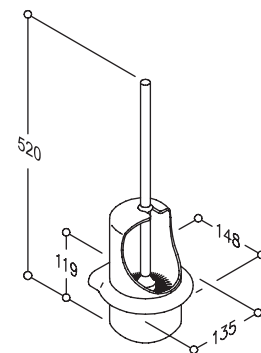
Product Ref:	Bathroom shelf
0146 01	Bathroom shelf 70 x 300mm
0826 01	Bathroom shelf 120 x 676mm



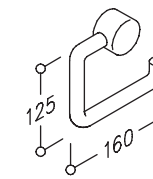
Product Ref:	Toilet brush set
0824 05	Toilet brush and wall mounted holder
0824 06	Replacement brush



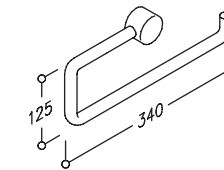
Product Ref:	Bathroom shelf
0925 33	Corner shelf



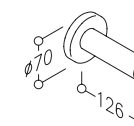
Product Ref:	Toilet brush set - anti theft
0925 40	Toilet brush and wall mounted holder
0925 45	Replacement brush



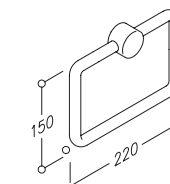
Product Ref:	WC roll holder
0399 01	Toilet roll holder
0399 02	Toilet roll holder with anti-theft device
0358 01	Key for 0399 02 anti-theft device



Product Ref:	Towel/roll holder
0583 02	Towel/tissue roll holder

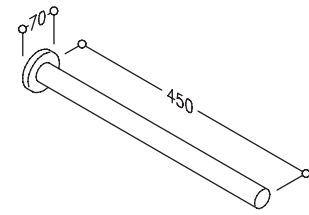


Product Ref:	WC roll holder
0518 01	Spare toilet roll holder

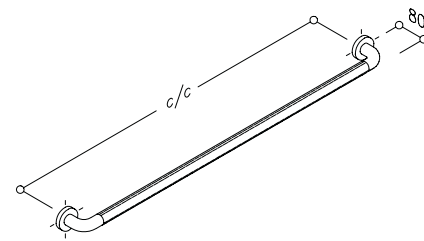


Product Ref:	Towel holder
0506 01	Towel holder

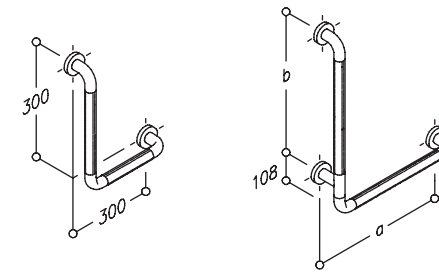
NORMBAU - Bathroom fittings



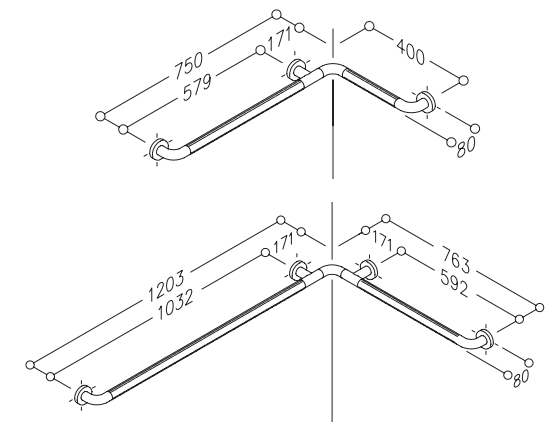
Product Ref:	Towel rail
0436 01	Towel rail - 450mm length - smooth rail
0436 05	Towel rail - 450mm length - tetured rail



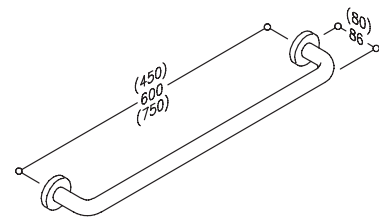
Product Ref:	Textured grab rails - Sectioned
0453 01	Grab rail - 1100mm centres
0453 02	Grab rail - 1000mm centres
0453 03	Grab rail - 800mm centres



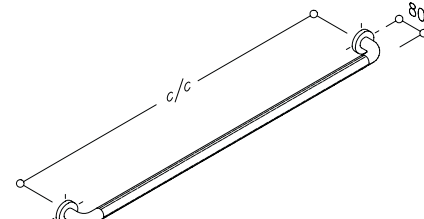
Product Ref:	Textured grab rails
0464 01	Grab rail - 300 x 620mm
0464 02	Grab rail - 300 x 300mm
0464 03	Grab rail - 400 x 750mm centres (a/b)
0464 04	Grab rail - 500 x 620mm centres (a/b)
0464 05	Grab rail - 500 x 750mm centres (a/b)



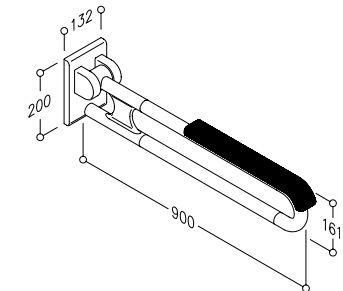
Product Ref:	Textured grab rails
0483 01	Corner rail - 763 x 763mm
0483 03	Corner rail - 400 x 750mm
0484 02	Corner rail - 763 x 1203mm



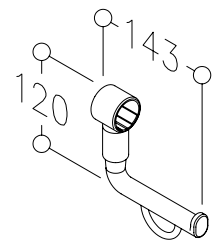
Product Ref:	Towel rail
0528 01	Towel rail - 450mm length - without roses
0528 02	Towel rail - 600mm length - without roses
0528 03	Towel rail - 750mm length - without roses
0528 11	Towel rail - 450mm length - with roses
0528 12	Towel rail - 600mm length - with roses
0528 13	Towel rail - 750mm length - with roses



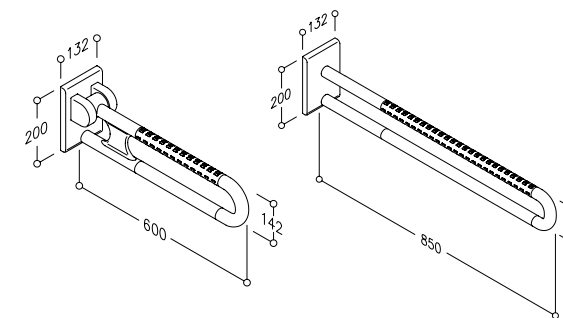
Product Ref:	Textured grab rails - Single piece moulding
0453 07	Grab rail - 600mm centres
0453 08	Grab rail - 400mm centres
0453 09	Grab rail - 300mm centres
0453 10	Grab rail - 500mm centres



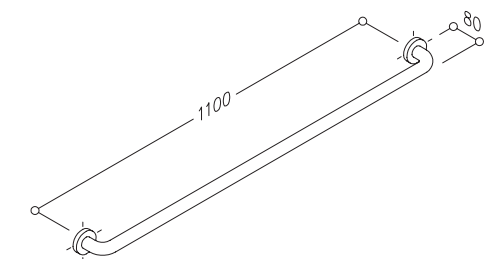
Product Ref:	Lift up support rail - padded armrest
0447 41	Lift up rail - 600mm (L)
0447 43	Lift up rail - 720mm (L)
0447 45	Lift up rail - 850mm (L)
0447 47	Lift up rail - 900mm (L)



Product Ref:	Towel rail
0449 12	Toilet roll holder - 143 x 120mm

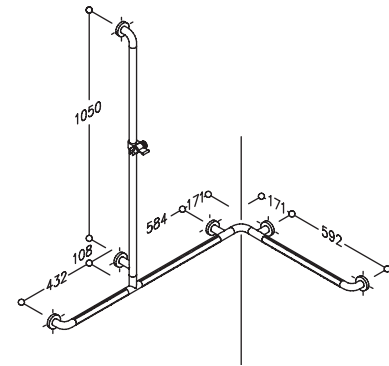


Product Ref:	Support rail - textured
0447 01	Lift up rail - 600mm (L)
0447 03	Lift up rail - 720mm (L)
0447 05	Lift up rail - 850mm (L)
0447 07	Lift up rail - 900mm (L)
0467 01	Fixed support rail - 600mm
0467 03	Fixed support rail - 725mm
0467 05	Fixed support rail - 850mm

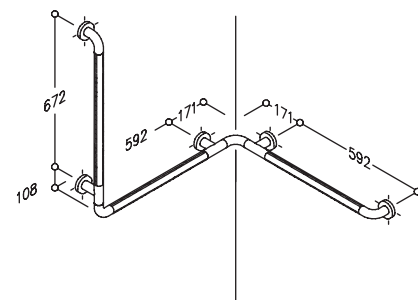


Product Ref:	Grab rail - steel cored
2053 03	Grab rail - 300mm centres
2053 04	Grab rail - 400mm centres
2053 05	Grab rail - 500mm centres
2053 06	Grab rail - 600mm centres
2053 08	Grab rail - 800mm centres
2053 10	Grab rail - 1000mm centres
2053 11	Grab rail - 1100mm centres

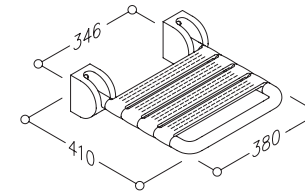
NORMBAU - Bathroom fittings



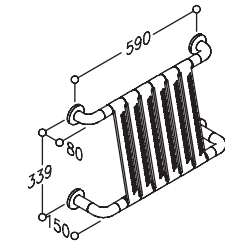
Product Ref: **Shower head rail**
0487 04 Corner shower head rail - reversible
0487 21 Corner shower head rail - 763 X 763 X 1158mm



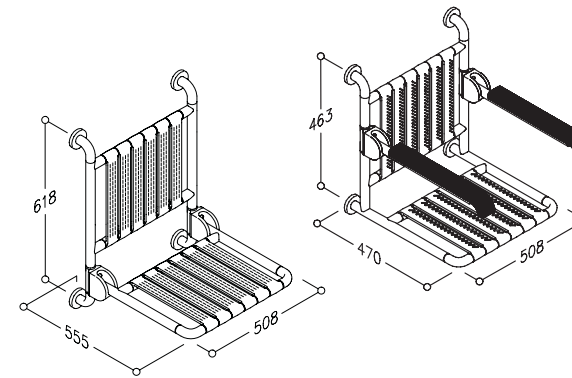
Product Ref: **Shower hand rail**
0485 01 Corner shower hand rail



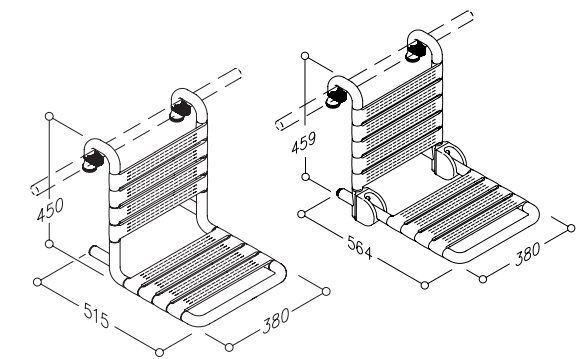
Product Ref: **Shower seat - wall mounted**
0841 01 Lift up shower seat - wall mounted



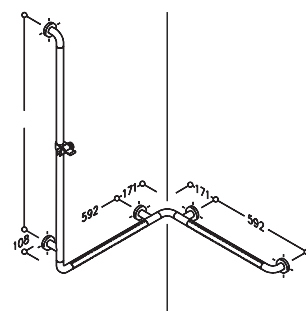
Product Ref: **Backrest**
0841 32 Wall mounted backrest



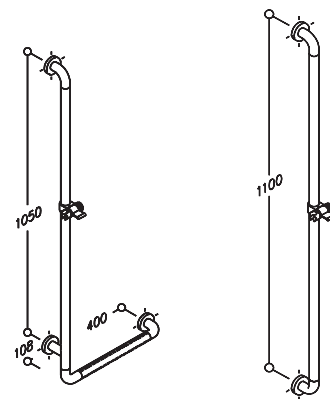
Product Ref: **Shower seat - wall mounted**
0841 11 Lift up seat with backrest
0841 24 Fixed seat with lift up padded armrests



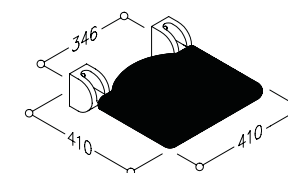
Product Ref: **Shower seat - rail mounted/suspended**
0847 01 Seat & backrest - 380 x 510 x 453mm
0847 11 Lift up seat & backrest - 380 x 564 x 459mm



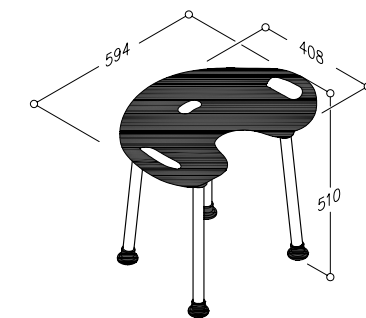
Product Ref: **Shower head rail**
0486 03 Corner shower head rail - 860mm high
0486 04 Corner shower head rail - 1158mm high
0486 051 Corner shower head rail - 750mm high
0486 052 Corner shower head rail - 1100mm high



Product Ref: **Shower head rail**
0465 04 Shower head rail - 400 x 1158mm
0465 05 Shower head rail - 500 x 1158mm
0465 051 Shower head rail - 500 x 750mm
0465 052 Shower head rail - 500 x 1000mm
0488 03 Straight shower head rail - 1100mm centres
0488 05 Straight shower head rail - 1000mm centres
0488 07 Straight shower head rail - 800mm centres
0488 09 Straight shower head rail - 600mm centres



Product Ref: **Shower seat - padded**
0844 011 Lift up wall mounted shower seat - Grey
0844 010 Lift up wall mounted shower seat - Black



Product Ref: **Stool**
0300 345 Freestanding shower stool - padded seat - black
0300 346 Freestanding shower stool - padded seat - grey

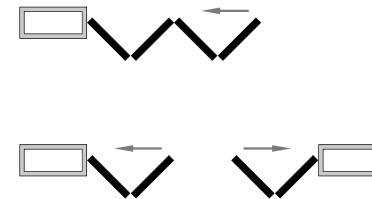
Sliding & Folding Door Hardware - Where ideas unfold

Brio designs and manufactures a range of sliding and folding door hardware which is ideally suited to residential applications. The sliding and folding door gear is suitable for use with a variety of door or panel constructions and materials offering a variety of solutions for full height room doors, wardrobes, cupboards and cabinets.

	Capacity Kg	Top Hung Straight Sliding	Top Hung Folding	Bottom Rolling Straight Sliding	Face Fix Top level with ceiling	Soffit Fix Top level with ceiling	Multiple Line Option	Cabinet Glass
Multifold 30	30kg		■					
Wardrobe Double 50	50kg	■						
Single Run 60	60kg	■			*	■	■	
Single Run 80	80kg	■			*	■	■	
Single Run 120	120kg	■			*	■	■	
Glassroll 30	30kg			■				■

* Optional Extra

Multifold 30 - Interior folding door hardware

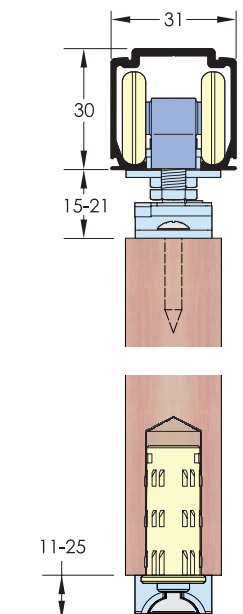


Application

Multifold 30 is an interior folding door hardware system. The axis on the pivot and hangers are within 25mm of the edge of the door, minimising the overhang of the panels, improving appearance and making it possible to fit trim to hide the gap between track and panel.

Features & Benefits

- Bearing hanger has a quick attach and release mechanism
- Height adjustment with single spanner makes installation and alignment easy
- Multiple configurations for 2 or 4 panel
- Aluminium slide track in head
- Non mortice hinges zinc plated
- Hangers have 4 nylon tyred ball bearing race wheels giving a smooth and quiet action
- Track available in lengths of: 2m, 3m, 4m and 6m



Application	MF30
Max. panel weight	30Kg
Max. panel width	650mm
Max. panel height	2400mm
Min. panel thickness	19mm
Adjustments:	±3mm in height ±4mm in horizontal

Product Ref:	Description
MF30-13/2	Multifold 30 kit for 2 panels
MF30-26/4	Multifold 30 kit for 4 panels

Single Run – Sliding door hardware

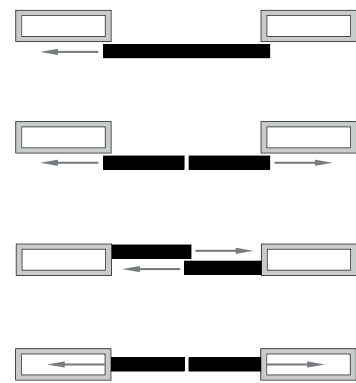
The Single Run series of top hung sliding door gear is available in 3 variations to suit doors up to 120kg. All variations are designed for use with a single door or panel. The sliding track can be mounted in a variety of positions within the structural opening allowing doors to slide across a wall or inside a pocketed wall cavity. The door gear can be used individually for a single door or in multiple lines where more than one door is needed.

Applications

Single Run 60 is primarily suited to residential applications on single doors

Single Run 80 and Single Run 120 bridge residential to light commercial applications designed for doors at 80Kg or 120Kg. Such doors are likely to be custom made and out of the ordinary.

All Single Run options can be applied to the wall structure in a variety of ways.



SR60 Principal Features

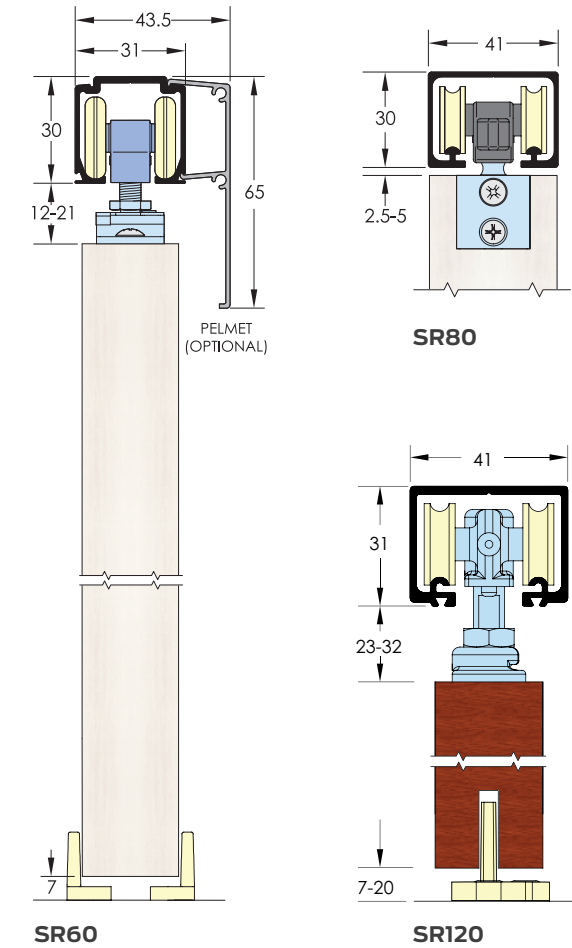
- Full 'C' section aluminium track
- 4 Wheels per hanger for long life, stability and high capacity
- Quick snap connection with side feed
- Simple height adjustment with single spanner
- Supplied with clip stops or 2 soft close devices

SR80 Principal Features

- Compact structural aluminium track soffit fixed as standard or face fixed if brackets used
- Track profile ensures wheels cannot disengage
- Glass reinforced nylon hanger body with steel plate ensures long life performance
- Precision bearings
- Supplied with clip stops as standard
- Soft close device upgrade available

SR120 Principal Features

- Chrome high speed precision bearings
- Cast stainless steel hangers
- Brush seals may be incorporated in the top track
- A range of bottom channels and guides is available



Application	SR60	SR80	SR120
Max. panel weight	60Kg	80kg	120kg
Max. panel width	1525mm	2000mm	2000mm
Max. panel height	2400mm	3000m	3000m
Min. panel thickness	19mm	28mm	28mm
Adjustments:	±4.5mm in height	±5.0mm in height	±4.5mm in height

Product Ref:	Description
SR60-20/1*	Single Run 60 kit for 1 panel - 2m track
SR60-30/1	Single Run 60 kit for 1 panel - 3m track
SR80-20/1	Single Run 80 kit for 1 panel - 2m track
SR80-30/1	Single Run 80 kit for 1 panel - 3m track
SR120-20/1	Single Run 120 kit for 1 panel - 2m track
SR120-30/1	Single Run 120 kit for 1 panel - 3m track

* Max panel width 915mm

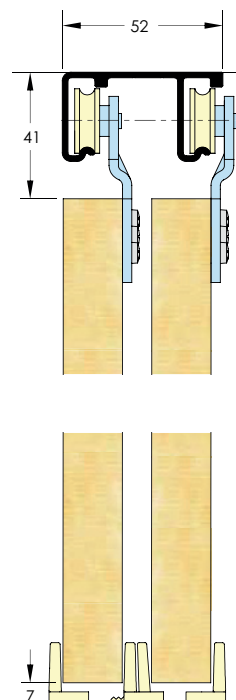
Wardrobe Double 50 - Sliding door hardware

Wardrobe Double 50, as the name implies, is designed specifically for wardrobes. It is a top hung system that can accommodate panels weighing up to 50Kg each. The face fix hangers are adjustable and fitted on the blind side of the opening. The expectation of wardrobes is they operate in silence. Brio is one of a few manufacturers that use precision bearings as standard to reduce noise and ensures the system remains that way.



Application	WD50
Max. panel weight	50Kg
Max. panel width	900mm
Max. panel height	2400mm
Min. panel thickness	16mm
Adjustments:	±5mm in height

Product Ref:	Description
WD50-12/2	Wardrobe Double 50 kit - 2 panel - 1200mm track
WD50-15/2	Wardrobe Double 50 kit - 2 panel - 1500mm track
WD50-18/2	Wardrobe Double 50 kit - 2 panel - 1800mm track
WD50-24/3	Wardrobe Double 50 kit - 3 panel - 2400mm track



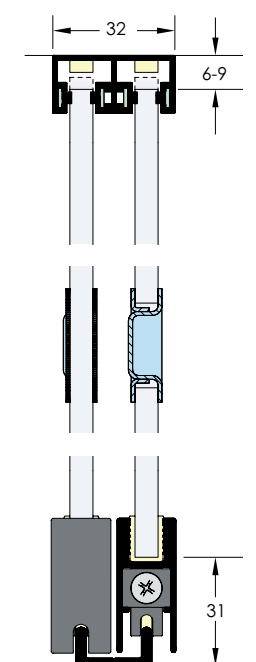
Glassroll 30 - Sliding glass system

Glassroll 30 is ideal for cabinets and display units. Glassroll 30 is one of the easiest cabinet systems to install and adjust. Unlike many others there is no need to remove and replace the panel numerous times to find the optimum height. Adjustment is possible with the glass panels in place, making installation accurate, quick and easy. For security, Glassroll comes with its own dedicated lock as an optional extra, which fits to the glazing rail.



Application	GR30
Max. panel weight	30Kg
Max. panel area	2.5m ²
Max. panel height	-
Min. panel thickness	6mm
Adjustments:	±1.5mm in height

Product Ref:	Description
GR30-12/2	Glassroll 30 kit - 2 panel - 1200mm track
GR30-15/2	Glassroll 30 kit - 2 panel - 1500mm track
GR30-18/2	Glassroll 30 kit - 2 panel - 1800mm track



Where quality takes first place

AXA HOME SECURITY

With over 100 years expertise in the design of specialist window security products, AXA offers a range of solutions designed for all types of wooden, plastic or metal windows and frames. With solutions for top hung, side hung, bottom hung and roof windows there is a product for all applications.

Dutch Standards

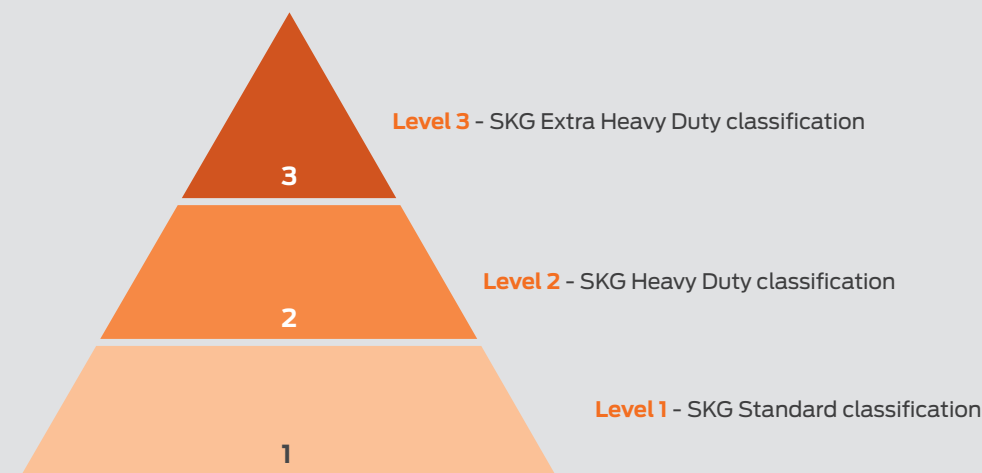
NEN 5089 is a Dutch standard which specifies the requirements and test methodology for the classification of burglar resistant door and window fittings.

Demands are made on burglar resistance, durability and corrosion resistance in order to determine the burglar resistance classification.

BRL 3104 is a Dutch National Guideline used for the evaluation of secure and burglar resistant products.

Performance Levels

Our multi-level approach to window security ensures there is a solution for all projects, window applications and budgets.



SKG

The Facade Construction Quality Foundation is an independent body which ensures that security products meet the demands of the Dutch NEN 5089 Standard and the Evaluation Guideline BRL 3104 in respect of strength and durability. The SKG Hallmark is awarded to each individual product within the following categories:



Standard

Products that will slow burglar entry by at least 3 minutes when combined with other burglar resistant provisions.



Heavy Duty

These are products that will individually slow burglar entry by at least 3 minutes.



Extra Heavy Duty

These are products that will individually slow burglar entry by at least 5 minutes.

AXA - Quality window security solutions

Specialists in the field of burglar-proof window security products



Principal Product Features

- Suitable for all types of window construction in timber, plastic and metal
- Solutions to suit side, top and bottom hung windows and roof windows
- Robust construction and quality materials used throughout
- Option for remote activation for high or hard to reach windows or simply for convenience
- Window stays meet the minimum ventilation requirement of 25m³ per hour for a window surface area of 0.26m²
- Choice of finishes and colour
- Window opener/closer and stay all in one
- Stays with restricted opening
- Telescopic stays for inward or outward opening windows or doors



Testing & Certification

Meets the requirements of the SKG** hallmark for burglary resistance

Meets the requirements of the Police Hallmark for Safe Living



What's in the box?

- Window Stay
- Keep
- Installation instructions

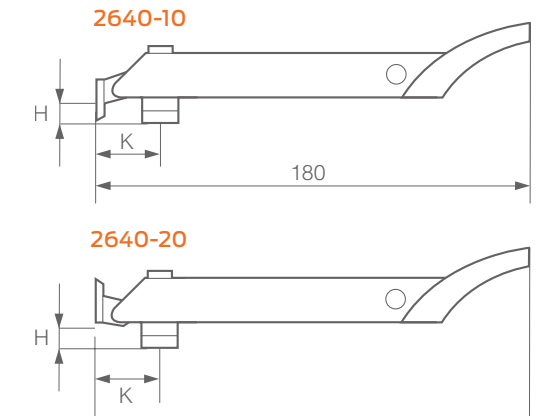
AXAflex - Combi Stays

Designed specifically for skylights, top hung and awning windows, the AXAflex Combi Stays can be used on wooden, plastic or metal windows and frames.



The all-in-one window opener and closer

AXAflex for skylights, awning and top hung windows



Item Ref:	Material	Plastic colour	Maximum Opening	Window bracket (H)	Frame bracket (K)
2640-20-81/E	St.steel	black	160mm	20mm	27mm
2640-20-81/6*	St.steel	black	160mm	20mm	27mm
2647-20-74/E	St.steel painted white	white	160mm	20mm	27mm
2640-20-49/E	Steel painted grey	grey	160mm	20mm	27mm
2640-20-49/6*	Steel painted grey	grey	160mm	20mm	27mm
2640-20-44/E	Steel painted brown	black	160mm	20mm	27mm
2640-10-81/E	St.steel	black	160mm	10mm	27mm
2647-10-74/E	St.steel painted white	white	160mm	10mm	27mm
2640-10-49/E	Steel painted grey	black	160mm	10mm	27mm
2640-10-44/E	Steel painted brown	black	160mm	10mm	27mm

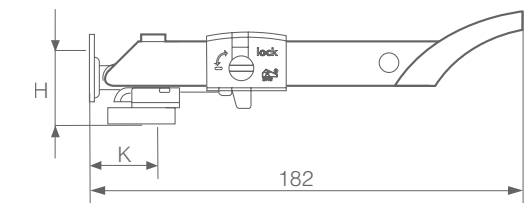
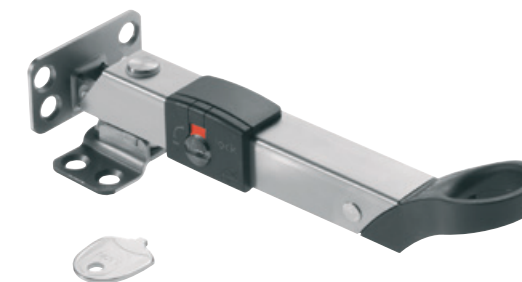
6* = in bubble pack



Features & Functions

- Hinged operation
- Provides 160mm restricted maximum opening
- Lockable version (2660-20)
- Suitable for awning windows, skylights and top hung windows
- Available with a range of fitting options to suit different window and frame constructions
- Available in white or brown painted steel or stainless steel
- Plastic components are black, white or grey (see table)

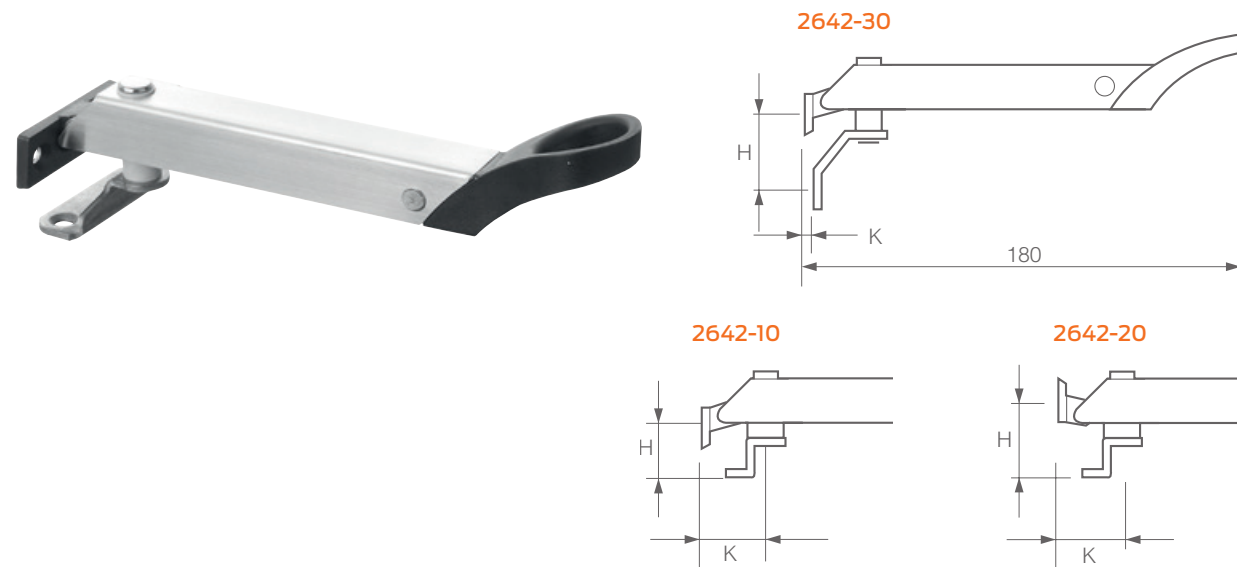
AXAflex Security for skylights, awning and top hung windows



Item Ref:	Material	Plastic colour	Maximum Opening	Window bracket (H)	Frame bracket (K)
2660-20-81/E	St.steel	black	160mm	32mm	29mm
2660-20-74/E	St.steel painted white	black	160mm	32mm	29mm

AXAflex - Combi Stays

AXAflex Special for skylights, awning and top hung windows



Item Ref:	Material	Plastic colour	Maximum Opening	Window bracket (H)	Frame bracket (K)
2642-10-81/E	St. steel	black	160mm	21mm	11mm
2642-10-81/6*	St. steel	black	160mm	21mm	11mm
2642-20-81	St. steel	black	160mm	21mm	11mm
2642-30-81/E	St. steel	black	160mm	30mm	4mm

6* = in bubble pack

AXAfix for skylights, awning and top hung windows



Item Ref:	Material	Plastic colour	Maximum Opening	Window bracket (H)	Frame bracket (K)
2488-10-81/E	Stainless steel	black	160mm	12mm	19mm
2488-50-81/E	Stainless steel	black	75mm	12mm	19mm
2489-50-81	Stainless steel	black	75mm	19mm	19mm
2482-91-96	AXAfix spacer plate - plastic	black	n/a	n/a	n/a

AXAflex Special for skylights, awning and top hung windows



Item Ref:	Material	Plastic colour	Maximum Opening	Window bracket (H)	Frame bracket (K)
2644-20-81	St. steel	black	160mm	56mm	3/16mm
2644-20-74/E	St. steel painted white	white	160mm	56mm	3/16mm
2644-20-79	St. steel painted white	white	160mm	56mm	3/16mm
2644-30-81	St. steel	black	160mm	33mm	0/8mm
2644-30-74	St. steel painted white	white	160mm	33mm	0/8mm

AXAflex Classic for skylights, awning and top hung windows



Item Ref:	Material	Plastic colour	Maximum Opening	Window bracket (H)	Frame bracket (K)
2480-29-81/E *	Stainless steel	black	260mm	20mm	27mm
2480-39-81/E	Stainless steel	black	260mm	20mm	27mm
2480-49-81	Stainless steel	black	160mm	20mm	27mm

* hinged to the right

AXA - Telescopic Stays



Applications

Suitable for inward and outward opening windows.
 Can be mounted on the bottom, top or side jambs and are suitable for side or top hung windows.
 Also suitable for use on doors to maintain a stable open position.

Features and Functions

- Telescopic mechanism suitable for inward or outward opening windows
- Heavy duty use
- Damping spring absorbs sudden shocks
- Stepless adjustable double brake mechanism can be set to the desired friction setting
- Easy to install
- Optional material and finishes (see table below)



Type 20



Type 20 EX - Outward Opening

Type 20 IN - Inward Opening

Type 20 EX	Window	Material	Plastic colour	Length
2815-00-49/E	Outward opening	Steel painted grey	grey	239mm
2815-00-54/E	Outward opening	Steel painted white	white	239mm
2815-00-81	Outward opening	Stainless steel	black	239mm

Type 20 IN	Window	Material	Plastic colour	Length
2816-00-49	Inward opening	Steel painted grey	grey	222mm
2816-00-54	Inward opening	Steel painted white	white	222mm
2816-00-81	Inward opening	Stainless steel	black	222mm

Type 30



Type 30 EX - Outward Opening

Type 30 IN - Inward Opening

Type 30 EX	Window	Material	Plastic colour	Length
2825-00-49	Outward opening	Steel painted grey	grey	348mm
2825-00-54	Outward opening	Steel painted white	white	348mm
2825-03-54*	Outward opening	Steel painted white	white	348mm
2825-00-81/E	Outward opening	Stainless steel	black	348mm

Type 30 IN	Window	Material	Plastic colour	Length
2826-00-49	Inward opening	Steel painted grey	grey	331mm
2826-00-54	Inward opening	Steel painted white	white	331mm
2826-00-81	Inward opening	Stainless steel	black	331mm

* with white T bracket

Type 35



Type 35 EX - Outward Opening

Type 35 IN - Inward Opening

Type 35 EX	Window	Material	Plastic colour	Length
2835-00-49/E	Outward opening	Steel painted grey	grey	375mm
2835-00-54/E	Outward opening	Steel painted white	white	375mm
2835-00-81/E	Outward opening	Stainless steel	black	375mm

Type 35 IN	Window	Material	Plastic colour	Length
2836-00-49	Inward opening	Steel painted grey	grey	358mm
2836-00-54	Inward opening	Steel painted white	white	358mm

Type 50 / 55

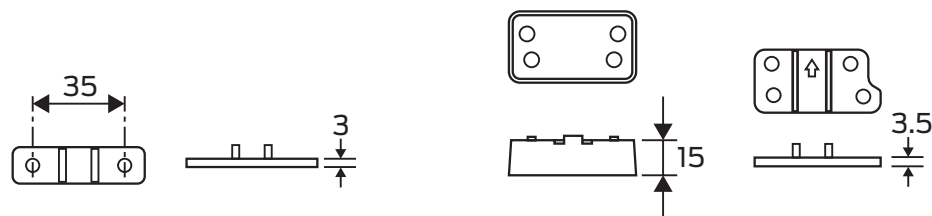


Type 50/55 EX - Outward Opening

Type 50 IN - Inward Opening

Type 50 / 55 EX	Window	Material	Plastic colour	Length
2845-00-49/E	Outward opening	Steel painted grey	grey	516mm
2845-00-54/E	Outward opening	Steel painted white	white	516mm
2865-00-49	Outward opening	Steel painted grey	grey	545mm
2865-00-54	Outward opening	Steel painted white	white	545mm

Type 50 IN	Window	Material	Plastic colour	Length
2846-00-54	Inward opening	Steel painted white	white	500mm



2640-91-95

2490-90-95

Accessories	Description	Application	Product compatibility
2640-91-95	Washer plate	AXA Combi Stays	2640-10-44/E; 2640-10-49/E; 2640-10-81/E; 2640-20-81/6; 2640-20-49/E
2490-90-95	Spacer plate set	AXAflex Security	2660-20-56/E; 2660-20-74/BL; 2660-20-74/E 2660-20-81/E; 2660-20-74/E

AXA Remote - Window ventilation at the touch of a button



Features & Functions

- 4 billion codes makes it virtually impossible to open with another remote
- Remote control operation or wall operated control
- Remote range 6m
- No wiring
- Battery operated or solar panel option
- Mounting set for virtually any roof window
- Anti-finger clamping system
- Available in white, grey or aluline
- Quick and easy installation
- Re-adjustable
- Low battery indicator (window defaults closed)
- Duo set for wide awning windows (1.0 - 1.4m wide)
- Suitable for all types of windows including Velux roof windows up to 100 x 100cm.
- Window must be minimum 30cm wide (side hung) or 30cm high (top or bottom hung).
- Use the same remote to operate several windows
- Optional adapter for mains connection of the remote
- Compatible with Domotics system to provide access via smartphone, tablet or PC



The remote control can also be replaced or combined with a wall mounted control, ideal for situations where a permanent operating position is required such as a school, care home or sports hall.



Open and close each window easily and securely to allow natural ventilation and fresh air in with a single press on the button of your remote control.

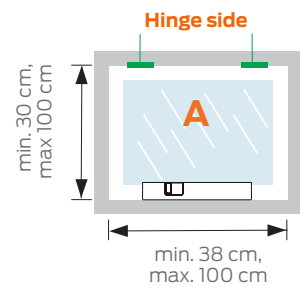
The standard AXA Remote is suitable for virtually all awning, bottom hung and casement window up to 1m x 1m. Casement windows must be at least 30cm wide and for awning and bottom hung windows, the window must be at least 30cm high.

For wide top hung windows AXA Remote is available as a duo unit attached by a smart cord to synchronise units fitted to wide awning windows up to 1.4m wide.

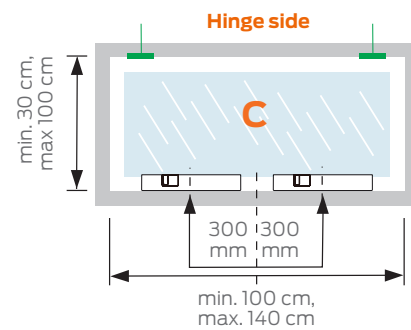


AXA Remote - Window operator

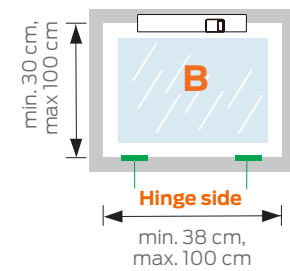
AXA Remote 2.0



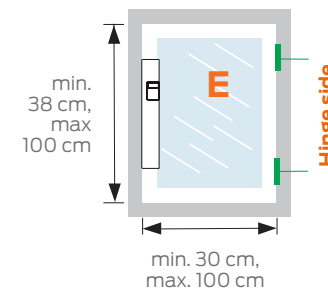
AXA Remote 2.0S



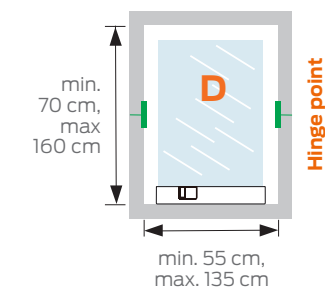
AXA Remote 2.0



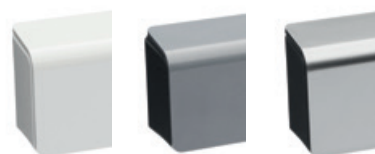
AXA Remote 2.0



AXA Roof Window Set



Colour



2902-80-98

Wall mounted remote control for AXA Remote window operators.

Uses 3 x AAA batteries



2902-32-98

Hand held remote control for AXA Remote window operators.

Uses 2 x AAA batteries



Item Ref:	Description	Window type	Colour
2902-00-96	AXA Remote 2.0 window operator	Awning window up to 1.0m wide	grey
2902-00-98	AXA Remote 2.0 window operator	Awning window up to 1.0m wide	white
2902-00-99	AXA Remote 2.0 window operator	Awning window up to 1.0m wide	Aluline
2902-50-98	AXA Remote 2.0 Duo set	Awning window from 1.0 - 1.4m wide	white
2902-20-98	AXA Remote 2.0 window operator	Bottom hung window up to 1.0m wide	white
2902-60-98	AXA Remote 2.0 window operator	Casement window - Right	white
2902-65-98	AXA Remote 2.0 window operator	Casement window - Left	white
2902-34-98	AXA Remote 2.0 roof window operator	Pivot and top hung roof windows	white
2902-36-98	AXA Remote 2.0 velux roof window operator	Velux picot and top hung roof windows	white

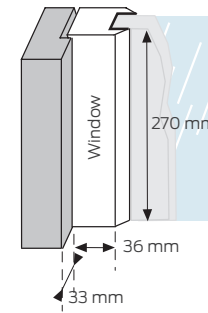
Item Ref:	Accessories & parts	Colour
2902-31-98/E	Adapter with 5m wire	white
2902-32-96	Separate remote control for AXA Remote	grey
2902-32-98	Separate remote control for AXA Remote	white
2902-80-98	Wall mounted remote for AXA Remote	white
2902-40-96	Replacement cover for AXA Remote	grey
2902-40-98	Replacement cover for AXA Remote	white

AXA Oyster – Security Combi Window Fastener

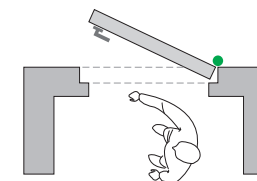
A window fastener and stay in one unit. The AXA Oyster combines the functions of the window fastener and the stay for outward opening windows.



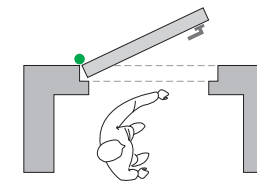
Installation space



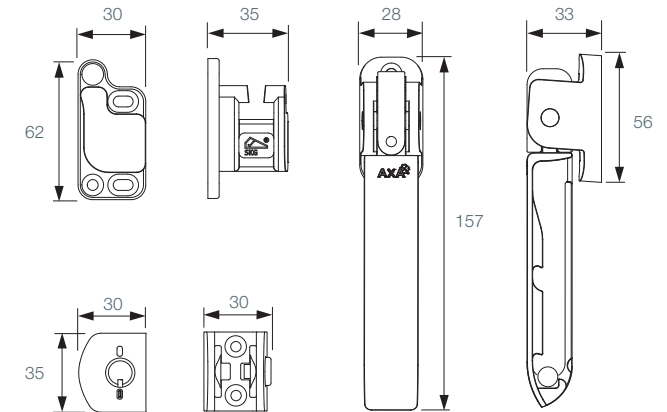
Opening direction



Opening outwards to the right (DIN left)



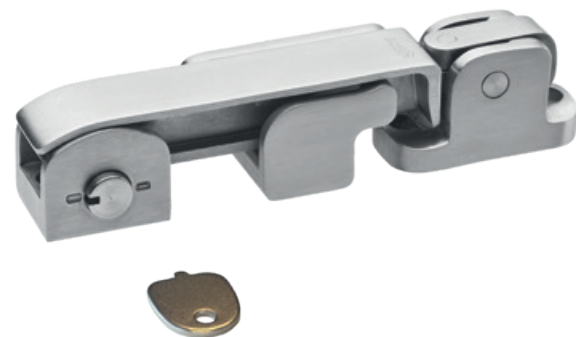
Opening outwards to the left (DIN right)



Item Ref:	Opening direction	Material
3355-15-81 L	AXA Oyster window fastener and stay - DIN left hand	Stainless steel
3355-15-81 R	AXA Oyster window fastener and stay - DIN right hand	Stainless steel

Features & Functions

- Combines window fastener and stay in a single unit
- Two position ventilation function
- Solid stainless steel construction
- Built-in damper to absorb gusts of wind
- Suitable for windows 27 - 180cm high and 30 - 120cm wide
- Lock-Jockey proof which prevents manipulation from outside when in ventilation mode



Testing & Certification

Meets the requirements of the SKG** hallmark when the window is closed

Meets the requirements of the SKG P hallmark when in ventilation mode

Meets the requirements of the Police hallmark for Safe Living

www.britondops.co.uk



What's in the box?

- Window Stay
- Keep
- Fixing pack
- Installation instructions

AXA Oyster Door Guard - Door restrictor

A safe and secure means of providing restricted opening of the front door to see who is at the door. The door guard prevents the door from opening beyond 10cm. Suitable for inward opening doors.



Features & Functions

- Easy to install
- Solid stainless steel construction
- Suitable for flush doors, recessed doors and surface mounted doors
- All screw fixings are concealed
- Re-adjustable to allow for movements of the door and frame



AXA Designline - Door security strips

AXA Door Security Strips are designed to combat unauthorised access through the use of crowbar, credit card or other means of forced entry.

Type M2



Type M3

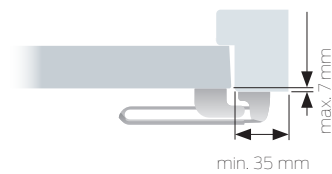


Features & Functions

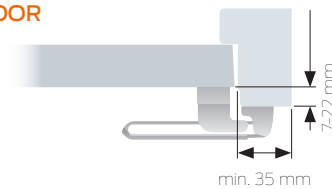
- Easy to install
- Slim profile design
- All screws totally concealed and therefore not accessible
- Cut to length on site
- Length supplied 2350mm
- Options for inward and outward opening doors
- Available in white or silver



FLUSH DOOR



RECESSED DOOR



SURFACE-MOUNTED DOOR



Item Ref:	Description
7351-20-81	AXA Door Guard



Item Ref:	Type	Description	Recess size	Finish
7606-00-88 BL	M2	Security strip for inward opening doors	n/a	white
7606-00-91 BL	M2	Security strip for inward opening doors	n/a	silver
7607-00-88 BL	M3	Security strip for outward opening doors	0-4mm	white
7607-00-91 BL	M3	Security strip for outward opening doors	0-4mm	silver
7607-05-88 BL	M3	Security strip for outward opening doors	5-9mm	white
7607-05-91 BL	M3	Security strip for outward opening doors	5-9mm	silver
7607-10-88 BL	M3	Security strip for outward opening doors	10-14mm	white
7607-10-91 BL	M3	Security strip for outward opening doors	10-14mm	silver
7607-15-88 BL	M3	Security strip for outward opening doors	15-19mm	white
7607-15-91 BL	M3	Security strip for outward opening doors	15-19mm	silver
7607-20-88 BL	M3	Security strip for outward opening doors	20-25mm	white
7607-20-91 BL	M3	Security strip for outward opening doors	20-25mm	silver

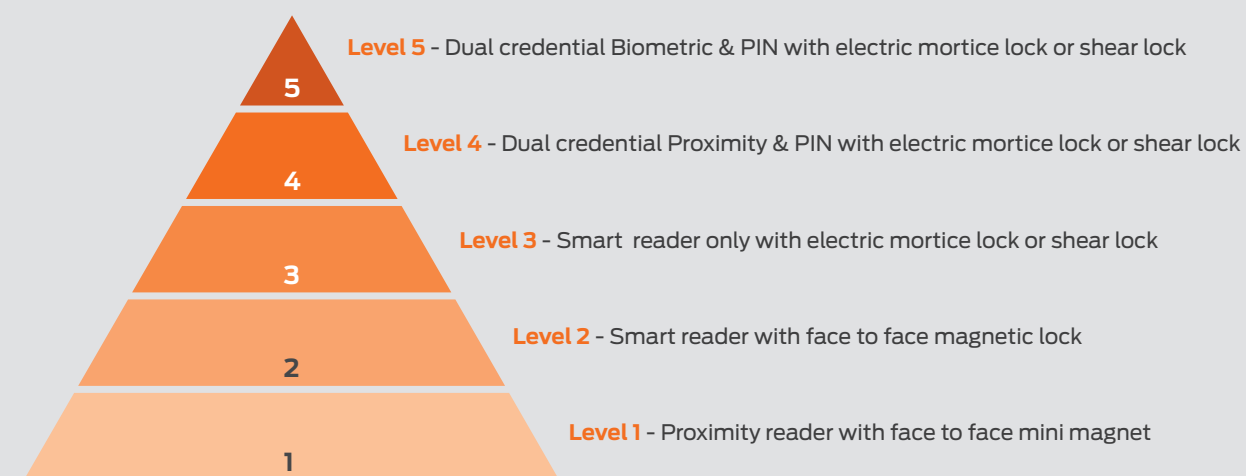
Combining electronic validation and electric door locking

Take security to the next level

From schools and hospitals, to government facilities, offices and a host of other commercial buildings, our electronic security solutions deliver innovative, yet practical solutions ranging from programmable electronic locks to wireless access control devices, biometrics and smartcard solutions. Our electronic solutions are designed to grow with you, providing exactly the level of security you need wherever you need it and can be integrated into virtually any access control or other software system on the market today.

Performance Levels

Multiple security levels are possible to suit all types of application and budget.



HandKey II & HandPunch - Biometric Hand Readers



The proven reliability of hand geometry biometrics used for access control and time & attendance

Features & Benefits

- Field proven reliability with hundreds of thousands of units installed
- Dual credential verification with hand reader and ID code
- Fast verification, typically less than a second
- Convenience of multiple credential options including proximity, mag stripe, barcode, HID Legacy iCLASS and MIFARE Classic
- Biometric templates and decision making reside locally, ensuring doors are always secure even if communication to the main access control PC is lost
- Outdoor enclosure and other options for external applications
- Field upgradable and expandable memory options for up to 32,512 users
- Three user definable outputs (HandKey II) to connect to auxiliary devices such as audible alarm, door locks or lighting
- Ability to write compact biometric data to card instead of a database results in higher security and unlimited user capacity
- Saves money over card based systems (HandPunch)
- Eliminates "buddy punching" (HandPunch)
- Up to 10 user definable data management keys that allow you to collect data as employees punch (HandPunch)
- Antimicrobial option for platen
- Hand outline option for platen



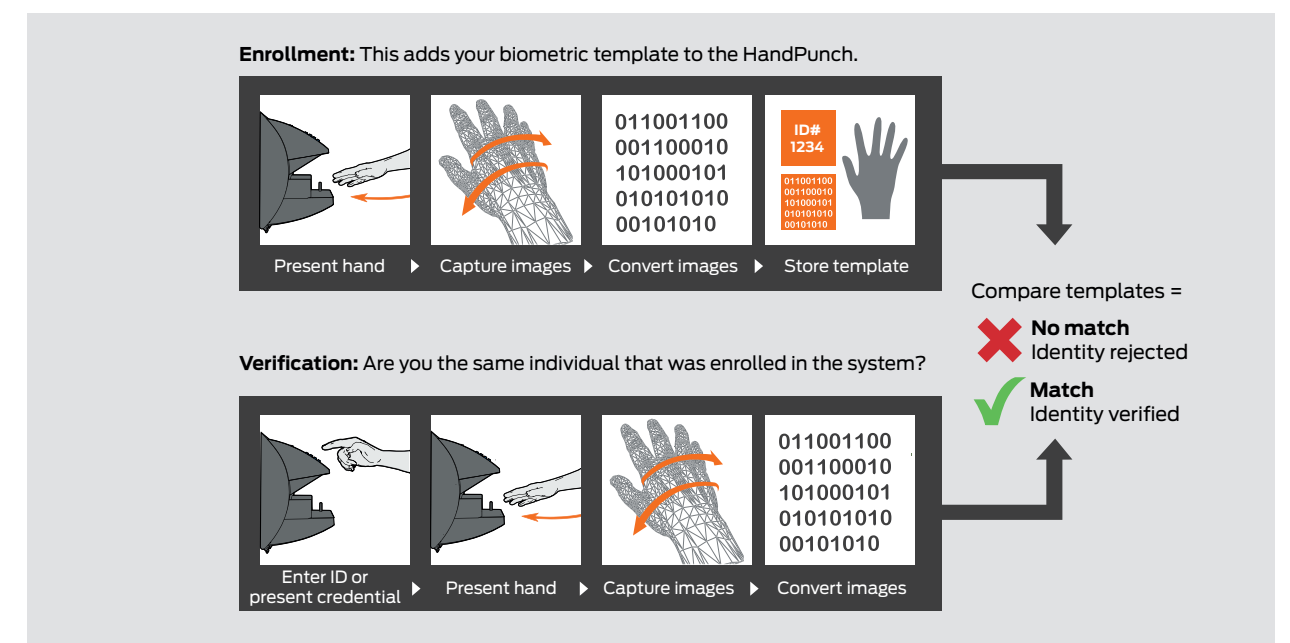
Biometrics, hand geometry and privacy

The Schlage Handkey II and HandPunch readers use over 90 distinct measurements of the hand to verify the user's identity in under 1 second. The HandKey/HandPunch converts the image to a 9-byte numerical template which is a mathematical representation of the size and shape of the hand. The numerical template is stored in a memory location which is defined by the person's ID number and adjusted with each use to accommodate subtle changes.

HandKey or HandPunch

HandKey II is a complete, integrated door controller providing lock operation, request-to-exit and alarm monitoring. It can be used as a stand alone unit or as part of an integrated access control system. The biometric unit integrates easily into existing systems using the card reader emulation mode or as part of a networked system using software. HandKey is ideally suited to applications where consistent and dependable security is of prime importance.

HandPunch uses the accuracy and convenience of biometric hand reader technology for the purpose of time and attendance, offering a simple, cost effective and practical solution. Beyond a simple time clock, the HandPunch provides definable data management keys that allow data collection each time employees punch in. Each HandPunch also has the ability to control a door. Variations of HandPunch make it ideally suited to small, medium or large organisations.



HandKey II - Biometric Access Control



Technical Details

Dimensions (H W D):

296 x 225 x 217mm

Power requirements:

12 to 24V DC or 12 to 24V AC

50-60Hz 7 Watts (without options)

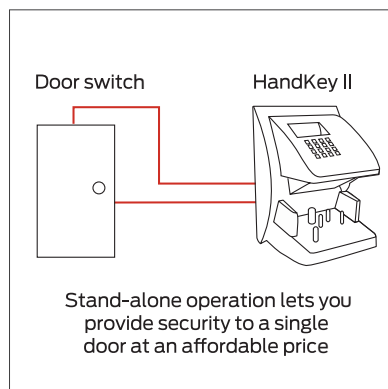
Weight: 2.4kg

Operating temperature: 0° - 40° C

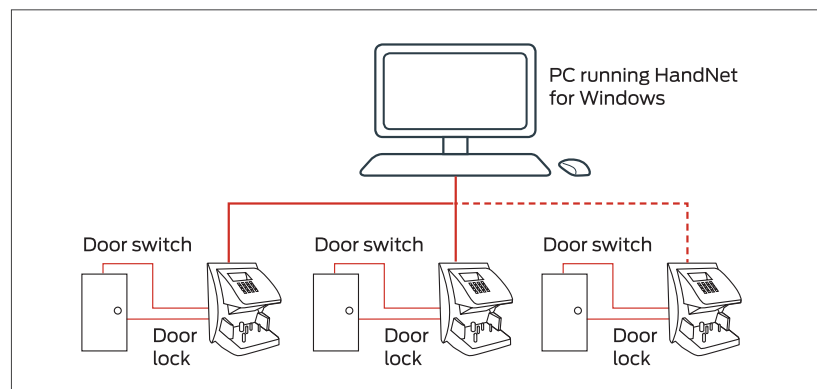
Relative humidity:

20% - 80% RH non condensing

Product features	HandKey II
Base memory	Base memory for 512 users
ID number length	1 - 10 digits
Duress code	1 leading digit - user definable
Communication	RS232: Baud rate 300 bps to 28,800 bps RS422: Baud rate 300 bps to 28,800 bps RS485: Baud rate 300 bps to 28,800 bps Optional Ethernet: 10 Base T
Template size	9 bytes
User memory	512 users - expandable up to 32,512 users
Inputs	Standard: 26 bit, 9 bit ID Wiegand Optional: Mag stripe, bar code, smart card HandKey input: Request-to-Exit, door switch input 2 auxiliary inputs
Outputs	Door control: Lock output Card reader emulation mode: Weigand, mag stripe, bar code 1 programmable auxiliary Outputs to peripheral devices: Audible or silent alarms, door locks, lighting systems
Event monitoring	Tamper: HandKey opened or removed ID refused: User not verified (definable no. of tries) Duress: User entered duress code digit Power failure: Switched to optional battery power
Programmable commands	Add/remove users Set global operating thresholds Set individual user data (authority, time zones) Transmit data from master to remote Data received by master from remote Transmit/receive data from optional software Check door status: Tamper, door monitor switch Time zones: 62 total (2 fixed; 60 programmable) Set language Set date, time Edit holidays



HandKey II
Stand-Alone application



HandKey II
Typical network application

HandPunch F Series - Biometric Time & Attendance



Product features	HandPunch 1000	HandPunch 1000E	HandPunch 2000	HandPunch 3000	HandPunch 4000
No. of Users	50 - upgrade to 512	100 - non expandable	512 - non expandable	512 - upgrade to 32, 512	530 - upgrade to 3,498
Break compliant					■
Programmable keys	None	None	2 keys	2 keys	10 keys
Door control				■	■
Other functions	-	-	-	Global scheduling	Individual scheduling and employee messaging Hand held barcode scanner (optional on HP4000)
Memory retention	Up to 5 years via the standard internal lithium battery				
Transaction storage	5120 transactions				
ID number length	1 - 10 digits from keypad or card				
Template size	9 bytes				
User record size	Standard units 16 bytes				
Communications	RS485 (4 wire) RS232 serial printer support or PC communication				
Baud rate	300 to 28.8Kbps				
Card reader input	Proximity, Wiegand, mag stripe, bar code (5V DC provided by HandReader)				
Card reader outputs	Wiegand, mag stripe, bar code				
Door controls	Door lock output (sinks 0 - 24V DC, 100mA max); Door switch monitoring; Bell ring output (sinks 0 - 24V DC, 100mA max)				
Time zones	60 user definable time zones				

HandKey II & HandPunch

Product Ref:	Description
HK2	HandKey II with memory for 512 users
HP1000	HandPunch 1000 with memory for 50 users
HP1000E	HandPunch 1000 with Ethernet, memory for 100 users. Memory not expandable
HP2000	HandPunch 2000 with memory for 512 users, Memory not expandable
HP3000	HandPunch 3000 with memory for 512 users. Expandable memory up to 32,512
HP4000	HandPunch 4000 with memory for 530 users. Break compliant. Memory expandable up to 3,498 users
HP4000S	HandPunch 4000 with memory for 530 users. Break compliant. Memory expandable up to 3,498 users. Includes hand held bar code scanner

Product Ref:	Upgrades
EM701	HP - 1000 Memory expansion from 50 to 100 users
EM702	HP - 1000 Memory expansion from 50 to 512 users
EM703	HP - 1000 Memory expansion from 100 to 512 users
EM801	HP - 3000 Memory expansion to 9,728 users
EM803	HP - 3000 Memory expansion to 32,512 users
EM805	HP - 3000 - XL & HP - 4000 Memory expansion to 3,498 users
EN201	HandPunch F Series internet comms module
HN 2T1	All Models - Handnet for Windows software. Tier Two 6 to 25 readers HN-0201
HN 2T2	HP-100 Memory expansion from 50 to 512 users
HN 2T3	All Models - Handnet for Windows software. Tier Three 26 and more readers HN-0201
HN T1 T2	All Models - Tier upgrade: T1 - T2 enables 6 to 25 readers 1
HN T1 T3	All Models - Tier upgrade: T1 - T3 enables unlimited readers 1
HN T2 T3	All Models - Tier upgrade: T2 - T3 enables unlimited readers 1

Product Ref:	HandKey and HandPunch Options
INTHTR	Outdoor platen heater: Factory option only. Includes 24V DC power supply to operate HandPunch
FXENCL	Polyethylene with UV resistant outdoor enclosure
TXENCL	Metal watertight enclosure
PS220UK	Power Supply. 220 V AC to 13.5 V DC with connector for UK style plugs
PS220	Power Supply. 220 V AC to 13.5 V DC with connector for Euro style plugs
BB250	Battery backup available only at the time of initial purchase



Product Ref:	Card Reader & Keypad Options
PROX	Externally mounted HID ProxPoint RF Reader
SC100	Integrated side mounted MIFARE smart card reader with external clear acrylic card holder
ICLASS	Internally installed iCLASS reader with external clear acrylic card holder
CR2	Mag stripe card reader - wall mount

Product Ref:	Network and Other Accessories
DC102	Data Converter for 4 wire system, RS-232 to RS-422 with 120V, 50 Hz power supply
DC102220	Data Converter for 4 wire system, RS-232 to RS-422 with 220V, 50 Hz power supply
DC200	Data Converter for 4 wire system, USB to RS-422
BG200	Demo Bag for E, F and G-Series readers
BR100	5V Relay
DS200	Demo Stand for F-Series and G-Series readers
S-BB-BAT	Operational Battery Backup for readers with serial numbers higher than 1362000, - Spare Battery for BB-250
BB200	Battery backup for readers with serial 1345000 or lower
BB-3K	Field Upgradeable Battery Backup for HP-3000 (includes new main board with circuitry and battery)
BG200	Demo Bag for E, F and G-Series readers
BR100	5V Relay
DS200	Demo Stand for F-Series and G-Series readers
TM100	Table-Top Secure Mount for F-Series
SPRF00F3	EPROM Upgrade current F-Series

Product Ref:	Spares and Parts
SPC1000F3	Spare Main Board for HP-1000
SPC1000E	Spare Main Board for HP-1000-E
SPC2000F3	Spare Main Board for HP-2000
SPC3000F3	Spare Main Board for HP-3000
SPC4000F3	Spare Main Board for HP-4000
SPCHK2 F3	Spare Main Board for HK2
DKPF10	Keypad for HP1000 & 1000E
DKPF16	Keypad for HP3000 & 2000
DKPF20	Keypad for HP4000

Multi-technology readers

Versatile multi-technology readers

Schlage® multi-technology readers are designed to simplify your access control solutions. They enable you to upgrade your system from proximity or magstripe to smart card technology at your own pace without having to change out readers as new technologies are available. The flexibility of Schlage multi-technology readers makes your next upgrade in technology simple and seamless.



PR10 Proximity Reader
SM10 Smart Reader
MT11 Multi-technology Reader
MT15 Multi-technology Reader
MTK15 Multi-technology Reader with Keypad



MTMS15 Multi-technology Magstripe Reader
MTMSK15 Multi-technology Magstripe Reader with Keypad



The quick connect wiring harness facilitates a quick and easy installation without the need to wire into the reader or controller. Just plug and go.



Schlage readers are already NFC compatible and able to communicate with NFC-enabled phones whenever you're ready to take that step.

Schlage multi-technology readers use an open architecture platform designed to work with industry standards and common access control system interfaces. Multiple Schlage reader form factors are designed to fit a variety of placement needs, with an attractive modern design which will complement any facility's architecture and décor.

Schlage readers are very easy to install with the quick-connect cable and a standard wiring color scheme that most technicians are already accustomed to.

Schlage multi-technology readers include magnetic stripe readers which are versatile enough to read magnetic stripe, 125 kHz proximity and 13.56MHz contactless smart cards in a single unit. Schlage multi technology readers handle all applicable ISO standards (14443A, 14443B, 15693), and are FIPS 201-1 compliant. These readers interface with smart credentials (MIFARE® Classic and MIFARE® DESFire™ EV1), and can read the card serial numbers of a variety of smart cards from other manufacturers.

Multi-technology readers

Features & Benefits

- Accommodates interior, exterior, metal, and non-metal installation environments
- Recognizes most proximity credentials, and Schlage smart credentials (MIFARE Classic, MIFARE Plus and MIFARE DESFire EV1)
- FIPS 201 compliant
- NFC compatible, reads Schlage and aptiQ® mobile credentials
- Quick-connect cable allows for easy installation
- Simple wiring – color scheme is identical to most readers in the market
- Easy-to-install mounting bracket
- Tri-state LED (red, green, amber) visual indicator and audio feedback representing status and activity information, easily discernible for the audibly or visually impaired
- Wiegand output for simple interface with most access control panels
- Multiple reader cover color options
- Multi-technology readers may also be ordered with RS-485 capability
- Manufactured in PBT polymer and available in 4 colour options. Please note, lead times may apply for non standard colours



Supported Technologies (in default mode)



Technologies	Model Reference						
	PR10	SM10	MT11	MT15	MTK15	MTMS15	MTMSK15
Magnetic stripe						■	■
Schlage Proximity	■		■	■	■	■	■
XceedID® Proximity	■		■	■	■	■	■
HID® Proximity	■		■	■	■	■	■
BE/CASI Prox Lite®	■		■	■	■	■	■
AWID® Proximity	■		■	■	■	■	■
LenelProx®	■		■	■	■	■	■
Schlage/aptiQ mobile		■	■	■	■	■	■
Schlage/aptiQ/XceedID smart cards using MIFARE Classic		■	■	■	■	■	■
Schlage smart cards using MIFARE Plus		■	■	■	■	■	■
Schlage smart cards using MIFARE DESFire EV1		■	■	■	■	■	■
DESFire® CSN		■	■	■	■	■	■
HID iCLASS® CSN		■	■	■	■	■	■
Inside Contactless PicoTag® CSN		■	■	■	■	■	■
ST Microelectronics CSN		■	■	■	■	■	■
Texas Instruments Tag-It® CSN		■	■	■	■	■	■
Phillips I-Code® CSN		■	■	■	■	■	■

■ Feature as standard

Testing and Certification

Schlage readers handle all applicable ISO standards (14443A, 14443B, 15693), are FIPS 201 compliant and are versatile enough to read 125 kHz proximity and 13.56 MHz contactless smart cards in a single unit.

Schlage multi-technology readers interface with Schlage smart credentials (MIFARE Classic®, MIFARE Plus® and MIFARE® DESFire® EV1) and can read the card serial numbers (CSN) of a variety of smart cards from other manufacturers.

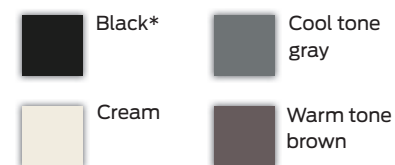
All readers are CE marked and have FCC and IC Certification.

All readers are UL 294 listed and conform to the European Radio Equipment Directive.

Rated IP65



Colour options



* supplied as standard

Multi-technology readers - Quick Selector



Product features	Model Reference				
Reader type	Proximity mini mullion	Smart mini mullion	Multi-technology mullion	Multi-technology single gang	Multi-technology with keypad
Reference	PR10	SM10	MT11	MT15	MTK15
Performance Level	1	2	1	2	3
Frequency	125 kHz	13.56 MHz	13.56 MHz + 125 kHz		
Read range	75mm	MIFARE Classic: 100mm MIFARE Plus: 38mm DESFire EV1: 51mm	Proximity: 127mm MIFARE Classic: 100mm MIFARE Plus: 25mm DESFire EV1: 51mm PIV credential: 65mm		
FIPS 201 compliant		■	■	■	■
Std default PIV output	n/a	75 bit PIV **			
Standards	n/a	ISO 14443A, 14443B, 15693			
Certifications	FCC Certification, IC Certification, UL 294 Listed, RED Directive (15 EU countries), CE				
Voltage	5 - 16V DC				
Power supply	Linear DC				
Current requirement @12 V DC & 25C; mAmps	Avg. 65 mA Peak 110 mA	Avg. 95 mA Peak 195 mA	Avg. 100 mA Peak 170 mA	Avg. 120 mA Peak 200 mA	Avg. 120 mA Peak 230 mA
System interfaces	Wiegand	Wiegand / Clock & Data	Wiegand / Clock & Data / RS 485 *** (OSDP)		
Cable specification	18 AWG, 5 conductor stranded/shielded				
Cabling distance	Wiegand output: 152m				
Dimensions (H x W x D)	108 x 44 x 21mm	108 x 44 x 21mm	150 x 44 x 21mm	129 x 83 x 19mm	129 x 83 x 19mm
Operating temperature	- 40° C to 70° C				



Multi-technology with magnetic stripe	Multi-technology with mag stripe and keypad	Reader type
MTMS15	MTMSK15	Reference
3	4	Performance Level
13.56 MHz + 125 kHz and magnetic stripe		Frequency
Proximity: 127mm		Read range
MIFARE Classic: 100mm		
MIFARE Plus: 25mm		
DESFire EV1: 51mm		
PIV credential: 65mm		
■	■	FIPS 201 compliant
		Std default PIV output
		Standards
		Certifications
		Voltage
		Power supply
Avg. 120 mA Peak 200 mA	Avg. 120 mA Peak 230 mA	Current requirement @12 V DC & 25C; mAmps
Wiegand / Clock & Data / RS 485 *** (OSDP)		System interfaces
18 AWG, 5 conductor stranded/shielded		Cable specification
Wiegand output: 152m		Cabling distance
112.5 x 131 x 29.2mm	112.5 x 131 x 29.2mm	Dimensions (H x W x D)
- 35° C to 67° C		Operating temperature

■ Feature as standard

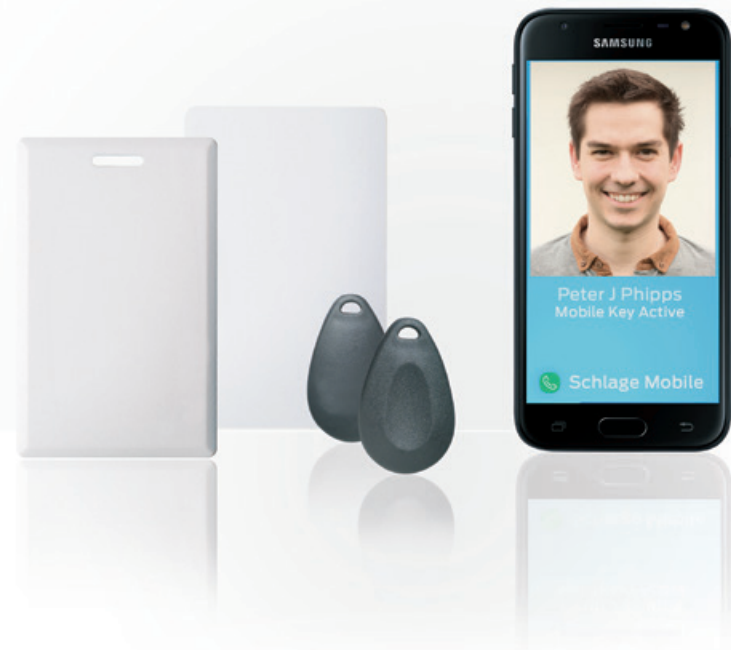
** Other output options available through configuration
 *** RS 485 model numbers include "-485" after the model number

Product Ref:	Description	Finishes
PR10	Proximity mini mullion reader	
SM10	Smart mini mullion reader	Black (standard)
MT11	Multi-technology mullion reader	
MT15	Multi-technology single gang reader	Cream, Gray, Brown
MTK15	Multi-technology single gang reader with keypad	

Credentials

Comprehensive, multi-technology credentials

Schlage credentials feature mobile, smart, multi-technology and proximity technologies as well as a variety of form factors to meet the security needs of virtually any customer. Providing complete flexibility to transition from proximity to smart or even mobile technology at the customer's desired pace, Schlage credentials are available in a variety of designs to accommodate all needs. Additionally a variety of designs are available to accommodate a wide range of needs, including ISO card styles commonly used for name badges and key fobs. Schlage® now also offers SchlageMobile credentials, allowing you the convenience of using your phone as your credential.



Proximity credentials

Schlage® proximity technology offers your facility an easy and convenient access control solution.

Proximity technology, which operates on 125 kHz frequency, is easily integrated into existing legacy proximity systems and new installations.



Product features	Reference			
Credential type	Clamshell	ISO - Gloss white	ISO - Gloss white	Keyfob
Reference	7410	7510	7510M1	7610
Technology - ISO standard	125 kHz prox	125 kHz prox	125 kHz prox plus magstripe	125 kHz prox
Memory capacity	n/a	n/a	n/a	n/a
Dimensions (H x W x Th)	85 x 54 x 2mm	85 x 54 x 0.8mm	85 x 54 x 0.8mm	-
Slot punch	Vertical (punched)	Vert or Horizontal	Vert or Horizontal	Keyring

Which type of credential?

Offered in several different form factors, Schlage has the credentials to meet your needs.

- The clamshell style is highly durable and more ridged than the typical credit card, making this card ideal for harsh environments
- The ISO style card is similar in size and thickness to a credit card and has the ideal surface to print custom artwork, images, and photographs for identification. This card can also include a magnetic stripe
- The keyfob, now also offered in new thinner style, can be easily attached to any key ring for convenience
- The PVC disk credential can be adhered to any frequently used surface

Proximity credentials by Schlage are compatible with most industry leading proximity readers and are completely ISO compliant. These credentials also have a passive design, requiring no batteries or maintenance for the life of the card.



Product features	Reference		
Credential type	Self Adhesive PVC patch	Combo key fob proximity with iButton	Combo key fob proximity without iButton
Reference	7710	IBF-110	IBWB-110
Technology - ISO standard	125 kHz prox	125 kHz prox	125 kHz
Memory capacity	n/a	n/a	n/a
Dimensions (H x W x Th)	35mmØ	-	-
Slot punch	-	Key ring	Key ring

Credentials

Smart credentials

Schlage contactless smart credentials (MIFARE® and MIFARE DESFire™ EV1) put you in control by delivering smarter solutions. Storage options up to 64k bits will meet the most demanding storage requirements, and allow for a wide range of card applications to be utilized.

Aside from physical access, smart credential uses could include transit and point of sale applications, such as cashless vending and cafeteria services.

Schlage smart credentials operate on 13.56 MHz frequency and utilize high security encrypted data, which is mutually authenticated in communication between the card and reader, providing optimum security.



Product features					
Credential type	Clamshell	Clamshell	Key fob	PVC patch	PVC patch
Reference	9420	9451	9651	9751	9758
Technology - ISO standard	MIFARE Lite ISO 14443	MIFARE Classic ISO 14443	MIFARE Classic ISO 14443	MIFARE Classic ISO 14443	MIFARE Classic ISO 14443
Memory capacity	2.5k bit	8k bit/1K byte	8k bit/1K byte	8k bit/1K byte	32k bit/4K byte
Dimensions (H x W x Th)	85 x 54 x 2mm	85 x 54 x 2mm	51 x 31 x 7mm	35mm Ø	35mm Ø
Slot punch	Vertical (punched)			Self adhesive	Self adhesive



Product features			
Credential type	Clamshell	ISO - Gloss white	ISO - Gloss white
Reference	8420/8440/8480	8520/8540/8580	8520M1/8540M1/8580M1
Technology - ISO standard	MIFARE DESFire EV1	MIFARE DESFire EV1	MIFARE DESFire EV1 Plus Magstripe
Memory capacity	8420 - 2k bytes 8440 - 4k bytes 8480 - 8k bytes	8520 - 2k bytes 8540 - 4k bytes 8580 - 8k bytes	8520M1 - 2k bytes 8540M1 - 4k bytes 8580M1 - 8k bytes
Dimensions (H x W x Th)	85 x 54 x 2mm	85 x 54 x 0.8mm	85 x 54 x 0.8mm
Slot punch	Vertical (punched)	Vert or Horizontal	Vert or Horizontal



Product features						
Credential type	ISO - Gloss white			ISO - Gloss white		
Reference	9520	9551	9558	9520M1	9551M1	9558M1
Technology - ISO standard	MIFARE Classic ISO 14443			MIFARE Classic Plus Magstripe ISO 14443		
Memory capacity	2.5k bit	8k bit/1K byte	32k bit/4K byte	2.5k bit	8k bit/1K byte	32k bit/4K byte
Dimensions (H x W x Th)	85 x 54 x 0.8mm			85 x 54 x 0.8mm		
Slot punch	Vert or Horizontal			Vert or Horizontal		



Product features		
Credential type	Key fob	PVC patch
Reference	8620/8640/8680	8720/8740/8780
Technology - ISO standard	MIFARE DESFire EV1	MIFARE DESFire EV1
Memory capacity	8620 - 2k bytes 8640 - 4k bytes 8680 - 8k bytes	8720 - 2k bytes 8740 - 4k bytes 8780 - 8k bytes
Dimensions (H x W x Th)	51 x 32 x 7mm	35mm Ø
Slot punch	Key ring	Self adhesive

Credentials

Multi-technology credentials

Schlage® multi-technology credentials are extremely flexible. Particularly useful during a transition from proximity technology to smart technology, this card can be read by both proximity readers and smart readers, which allows customers to economically migrate to the latest in smart technology at their own pace.

This type of credential is only available in an ISO style card.



Product features				
Credential type	ISO - Gloss white	ISO - Gloss white	ISO - Gloss white	ISO - Gloss white
	9951	9958	9951M1	9958M1
Technology - ISO standard	125 kHz Prox and 13.56 MHz MIFAREClassic ISO 14443		125 kHz Prox and 13.56 MHz MIFAREClassic Plus Magstripe ISO 14443	
Memory capacity	8k bit/1K byte	32k bit/4K byte	8k bit/1K byte	32k bit/4K byte
Dimensions (H x W x Th)	85 x 54 x 0.8mm	85 x 54 x 0.8mm	85 x 54 x 0.8mm	85 x 54 x 0.8mm
Slot punch	Vertical or horizontal			
Warranty	Credentials have a lifetime warranty against manufacturing defects			



Product features			
Credential type	ISO - Gloss white	ISO - Gloss white	ISO - Gloss white
	8920	8940	8980
Technology - ISO standard	125 kHz Prox and 13.56 MHz MIFARE DESFire EV1 ISO 14443		
Memory capacity	2K byte	4K byte	8K byte
Dimensions (H x W x Th)	85 x 54 x 0.8mm	85 x 54 x 0.8mm	85 x 54 x 0.8mm
Slot punch	Vertical or horizontal		
Warranty	Credentials have a lifetime warranty against manufacturing defects		

SchlageMobile - Using your smart phone as your credential

Utilizing near field communication (NFC) technology, SchlageMobile™ turns a smart phone app into an ID card. It provides the convenience of using a phone for access control and anything else your ID card is used for today.

Not only is it convenient, but a SchlageMobile credential offers a higher level of security than the average ID card, including advanced encryption.

Features & Benefits

- SchlageMobile works with any phone carrier*
- Eliminates need to print ID's and keep inventory of cards on hand
- Painless replacement of lost cards anytime or anywhere
- Screen lock feature on phone keeps credential safe if phone is lost or stolen
- Credential information stored in same memory location as other app passwords and sensitive information
- Uses a 128 bit AES encrypted credential
- Anti-playback technology prevents cloning

* NFC case required for Apple devices



Product Ref:	Description
9100	SchlageMobile virtual credential

How does it work

SchlageMobile credentials can be used on the same readers that Schlage smart cards are used on. This enables a facility to migrate to mobile credentials easily or issue mobile credentials to some employees while giving other users conventional credentials.

SchlageMobile credentials can be assigned using existing access control software2 or with the web-based SchlageMobile Admin Portal. Mobile credentials are created and issued by the account administrator via the SchlageMobile cloud service. Then the user downloads the free SchlageMobile app and verifies their identity before downloading the secure credential to their phone.

Compatibility

SchlageMobile can be used with all Schlage smart readers and multi-technology readers.

New mobile phones are launched regularly, most of which are expected to be compatible with the SchlageMobile technology provided they are NFC capable or are Android OS 4.4 or higher.

Isonas Pure IP™

The new **Pure IP™** hardware family from ISONAS offers a suite of products that allow you to customize your access control solution. Our Reader-Controller uses patented technology and is designed as an all-in-one intelligent device, eliminating the need for a panel and allowing you to take advantage of your existing network.

Each Reader-Controller option can utilise a full range of credentials, including the use of your smart phone as your credential.

The ISONAS **Pure IP Bridge** provides a means of upgrading existing access control systems to a Pure IP system without the need to replace existing readers and credentials (see page 22).



Features & Specifications

Product features	Model Reference					
Reader type	Mullion		Wall Mount		Wall Mount Keypad	
Reference	RC-04-PRX-M	RC-04-MCT-M	RC-04-PRX-W	RC-04-MCT-W	RC-04-PRX-WK	RC-04-MCT-WK
Frequency	125 kHz	13.56 MHz / 125 kHz	125 kHz	13.56 MHz / 125 kHz	125 kHz + Keypad	13.56 MHz / 125 kHz + Keypad
Read range/speed	75mm <250msec	75mm <250msec	75mm <250msec	75mm <250msec	75mm <250msec	75mm <250msec
Network Comms	10Mb, half or full Duplex, Ethernet TCP/IP Standard RJ45 Cable, DHCP addressing supported					
Certifications	UL 294 V6 Certified, FCC Certified, Rated IP56					
Inputs	Door Sense, Request to Exit or Auxiliary					
Outputs	8 wire pigtail, 600mA provided to power lock, 2 exterior door kit outputs Fail Safe and Fail Secure supported					
Power Options	PoE (Power over Ethernet) IEEE 802.3af, Class 0 or 12v DC					
Software Compatibility	Pure Access Cloud, Pure Access Manager					
Credential Types	125 kHz (FSK modulation), 13.56 MHz, Bluetooth® Low Energy (4.1 or later) Mifare Classic, Mifare Ultralite, Mifare Plus, Mifare DesFire EV2, iClass, ISO 14443A & B					
Reader-Controller Capacity	64,000 Credentials, 5,000 Events, 32 Time Schedules					
Dimensions (H x W x D)	129.5 x 43 x 19mm		129.5 x 82.5 x 19mm		129.5 x 82.5 x 19mm	
Operating temperature	- 40° C to 57° C					

Features & Benefits

- All-in-One design of reader and controller eliminates the need for separate controllers
- Wall reader and Mullion readers available in Multi-card technology or Proximity only configurations
- Simple 'Plug and Play' installation
- Local mode feature allows readers to function without a network connection, giving faster user response times, less network traffic and reduced host system loading
- Bluetooth® Low Energy (BLE) allows customers to utilize our Pure Mobile App to use their smart phone as their credential
- LED indicators for reader status and backlit keypad
- Tamper detection prevents security breaches at the reader
- Metal backplate provides additional security and consistent read range



Pure IP™ IP Bridge 2.0

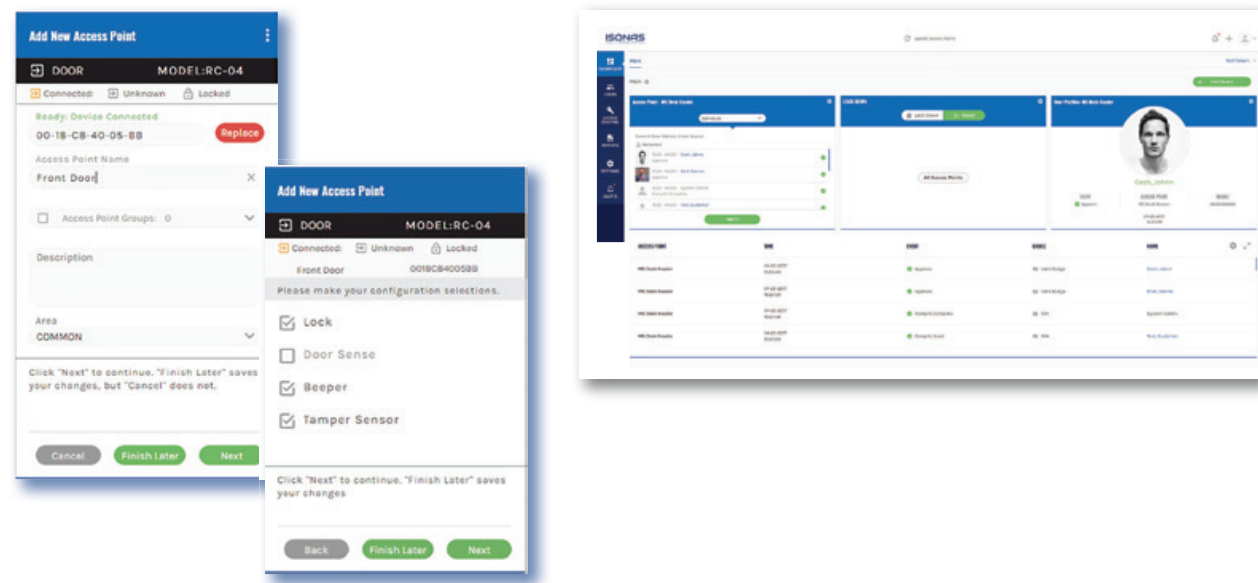
Migrate existing Wiegand networked systems to an ISONAS Pure IP environment using the IP Bridge. It allows you to manage up to 96 doors by daisy chaining up to 32 IP Bridges in series. Simply unplug the existing panels and attach the Wiegand readers directly to the IP Bridge.

- Keep existing power supplies, readers and credentials
- Migrate to Pure IP access control economically and efficiently
- Connect an ISONAS Wiegand reader (R-1) with BLE to add mobile capabilities to your site
- Two and Three door options
- Each door is capable of storing 20,000 credentials, 5,000 events and 32 time schedules
- PoE or 12/24v DC power options



Isonas Pure Access

ISONAS Pure Access is a family of leading access control software products comprised of our fully hosted platform, **Pure Access Cloud** and an on-site option, **Pure Access Manager**. Pure Access provides a complete access control platform allowing for full installation, administration and management of our patented **Pure IP™** access control hardware. The modern user interface establishes a new standard for ease of use in managing an unlimited number of access points across any geography through a mobile device, tablet or modern browser. Pure Access brings new features and functionality to access control that fully leverage the power of our **Pure IP™** hardware solution.



Readily available

Pure Access Cloud is available anytime from anywhere. All you need is a device (desktop browser, table or smart phone) that can connect to the internet.

Access Point Configuration Wizard

Set up and configure your access points in a matter of minutes, reducing overall installation time and cost. The step by step process allows you to test the IP configuration and connectivity, the lock wiring and other accessories all from your mobile device.

Fully hosted access control platform

Provides peace of mind and eliminates the need to support on-site hardware. ISONAS reader-controllers are pre-configured to the cloud and only require a network connection on your site, making your ISONAS system truly plug and play.

Simple and modern user interface

Intuitively add users, access points and rules with our drag and drop functionality. Simplified work flows provide an easy to use system that requires minimal training.

Customizable dashboards

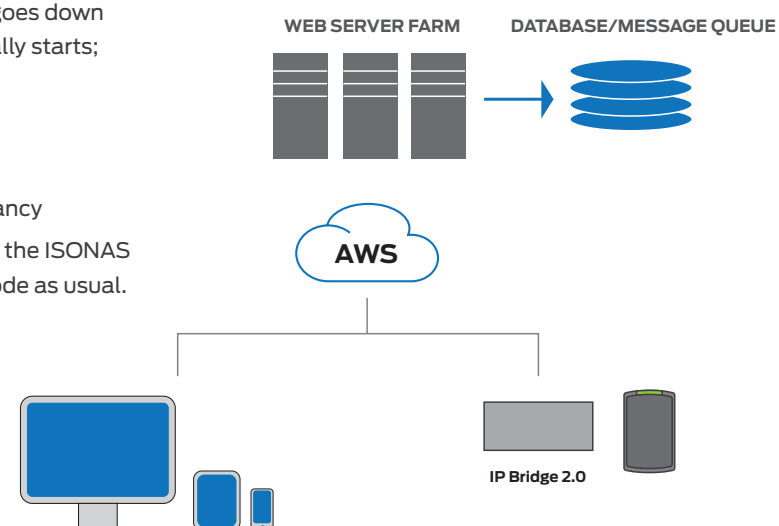
Individual dashboard widgets allow you to customize how you monitor your system in real time. The responsive design provides a fully interactive monitoring capability from your mobile device, tablet or modern browser.

Secure communication

Pure Access Cloud provides end to end secure communication by using industry recognised best practices and encryption schemes for securing both access to our AWS infrastructure as well as securing communication and sensitive information.

ISONAS Pure Access Cloud runs across multiple web servers behind a load balancer. If a server goes down or has issues a new web server automatically starts; creating a flawless experience to the user.

- Hosted by Amazon Web Services
- Guaranteed Up time 99.95%
- Multiple availability zones for redundancy
- If a loss of connection occurs to AWS, the ISONAS reader-controllers operate in local mode as usual.



Product Ref:	Description
PA-C-1-5	Pure Access Cloud, 1-5 door license, basic access control
PA-C-6-20	Pure Access Cloud, 6-20 door license, basic access control
PA-C-21-50	Pure Access Cloud, 21-50 door license, basic access control
PA-C-51-100	Pure Access Cloud, 51-100 door license, basic access control, active directory
PA-C-101-250	Pure Access Cloud, 101-250 door license, basic access control, active directory
PA-C-251	Pure Access Cloud, 251+ door license, basic access control, active directory
PA-C-RMR	Pure Access Cloud, Integrator RMR license with customer partitioning
PA-C-RMR-50	Pure Access Cloud, additional 50 tenants (only available for Integrator license)
PA-C-RMR-75	Pure Access Cloud, additional 75 tenants (only available for Integrator license)

9500 Series - Electromagnetic Locks

The Briton 9500 Series is a high quality range of 'face to face' locking devices offering up to 545kg holding force. The range includes small footprint 'mini-mags' for lower security applications and a mortice mounted version for use with custom made architectural housings for single or double door applications.

As standard, 9500 Series electromagnets are suitable for outswing doors but can be converted for use on inswing doors using a series of Z and L brackets.



Features & Benefits

- Extruded aluminium housing with adjustable mounting bracket for quick and simple installation
- Holding forces of 270kg and 545kg per leaf
- Suitable for single swing doors
- All units are "fail unlocked" providing safe exit in the event of power failure or an emergency when interfaced to a fire alarm output
- Monitored and unmonitored versions where indicated
- Door status monitor (DSM) indicates when a door is open or closed when monitored remotely
- Steel armature is fixed through the door for a secure mounting
- Mortice version is designed for installation into architectural housings, either horizontal or vertical

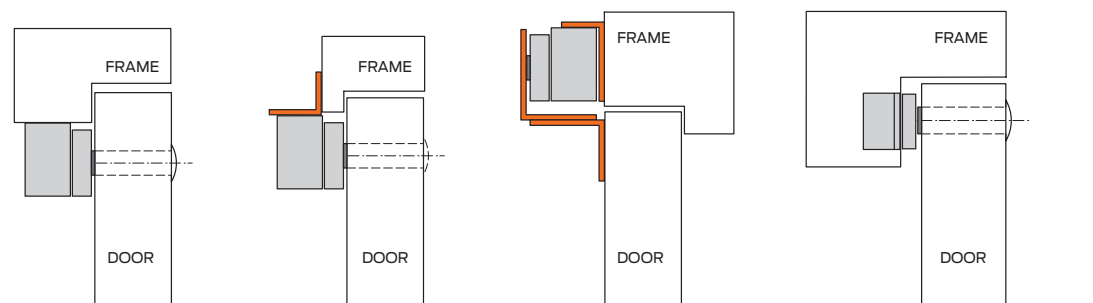
Specification

- Voltage - 12v or 24v DC (all models)
- Current draw
9501/9502/9551/9552
500mA @ 12v DC
250mA @ 24v DC
- Current draw 9560
480mA @ 12v DC
240mA @ 24v DC



Face to face magnet for use on double doors

Installation options



Standard face to face magnet mounting on outward opening door

Face to face magnet mounting with 'L' bracket on outward opening door

Face to face magnet mounting with 'Z & L' bracket on inward opening door

Mortice mounted face to face magnet

Testing & Certification

CE marked to EN61000 for Electromagnetic compatibility Directive 2014/30/EU

Full Declaration of Performance available from our website at:

www.britondops.co.uk



What's in the box?

- Electromagnetic lock
- Armature plate
- Lock mounting screws and armature mounting bolts
- Installation instructions

9500 Series - Electromagnetic Locks



9501

- Single face to face magnet
- Holding force 544kg
- Unmonitored
- Dimensions (H x L x D) 73 x 266 x 40

9501.M

- Single magnet
- Holding force 544kg
- Door Sense Monitor indicates when door is open or closed
- Dimensions (H x L x D) 73 x 266 x 40



9502

- Double face to face magnet
- Holding force 544kg per leaf
- Unmonitored
- Dimensions (H x L x D) 73 x 532 x 40

9502.M

- Double magnet
- Holding force 544kg per leaf
- Door Sense Monitor indicates when door is open or closed
- Dimensions (H x L x D) 73 x 532 x 40



9551

- Single face to face 'mini' magnet - unmonitored
- Holding force 227kg
- Dimensions (H x L x D) 42 x 250 x 25

9551.M

- Single face to face 'mini' magnet - monitored
- Holding force 544kg
- Door Sense Monitor indicates when door is open or closed
- Dimensions (H x L x D) 42 x 250 x 25



9552

- Double face to face 'mini' magnet - unmonitored
- Holding force 227kg per leaf
- Dimensions (H x L x D) 42 x 500 x 25

9552.M

- Double face to face 'mini' magnet - monitored
- Holding force 544kg per leaf
- Door Sense Monitor indicates when door is open or closed
- Dimensions (H x L x D) 42 x 500 x 25



9560

- Mortice mounted face to face magnet
- Holding force 270kg
- Unmonitored
- Dimensions (H x L x D)
Magnet 37.5 x 228 x 26
Armature 37.5 x 186 x 12



9501.ZL and 9551.ZL

A series of Z and L brackets for use with surface mounted magnets.

Technical specification	Product ref:		
	9501/9501M 9502/9502M	9551/9551M 9552/9552M	9560
Holding force	544kg per leaf	227kg per leaf	270kg
Voltage	12 or 24V DC	12 or 24V DC	12 or 24V DC
Current draw	500mA @ 12V DC 250mA @ 24V DC	500mA @ 12V DC 250mA @ 24V DC	480mA @ 12V DC 240mA @ 24V DC

Product ref.	Function/description	Finish
9501	Standard single face to face magnet - unmonitored	.SV
9501M	Standard single face to face magnet - monitored	.SV
9502	Standard double face to face magnet - unmonitored	.SV
9502M	Standard double face to face magnet - unmonitored	.SV
9551	Single face to face 'Mini' magnet - unmonitored	.SV
9551M	Double face to face 'Mini' magnet - monitored	.SV
9552	Single face to face 'Mini' magnet - unmonitored	.SV
9552M	Double face to face 'Mini' magnet - monitored	.SV
9560	Mortice mounted face to face magnet - unmonitored	.SV
9560MBS	Mortice mounted face to face magnet - monitored	.SV

Product ref.	Accessories	Finish
9501.L	L bracket for use with 9501/9502 magnets	.SV
9501.ZL	Z and L bracket set for use with 9501/9502 magnets for use on inward opening doors	.SV
9551.L	L bracket for use with 9551/9552 magnets	.SV
9551.ZL	Z and L bracket set for use with 9551/9552 magnets for use on inward opening doors	.SV

11000 Series - Electric Rim Locks

The CISA range of electric rim locks are suitable for inward or outward opening doors. They can be used with any Allegion access control interface to maintain door locking at doors which are not deadbolted.

The electric release mechanism maintains door security in the 'fail safe' condition.



11610.60.1 / 11610.60.2 / 11610.60.3 / 11610.60.4

- Electric rim latch with striker
- Inside push button operation to release latchbolt
- 60mm backset
- Model for inward or outward opening doors



11630.60.1 / 11630.60.2

- Electric rim latch with striker
- Inside push button operation to release latchbolt
- Hold-open function by key from inside
- Supplied with cylinder (to deactivate button if required and activate hold-open function)
- Suitable for inward opening doors only*
- 60mm backset



11721.60.1 / 11721.60.2

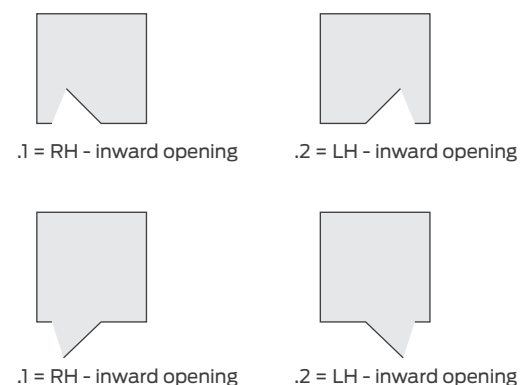
- Electric rim latch and striker with protective backplate
- Supplied with spacer
- Suitable for inward opening doors only
- 60mm backset

* versions are also available for outward opening doors on request.

Features & Benefits

- Certified to EN 14846 Security Grade 3
- Protective barrier on the coil area resists attempts at picking the lock release
- Dead-locking latch bolt provides protection against forced entry
- The button on the lock (on certain models) can be blocked by the key on the inside to provide a hold-open function (see table)
- Button can be temporarily deactivated if required
- Electric deadbolt ensures the lock can always be opened electrically even when the voltage drops
- Grey painted steel case and striker for timber door applications
- Zinc plated case and striker for external steel gates
- Supplied with or without cylinder for key override from outside

Handing



Testing & Certification

EN 14846:08 compliant - Grade 3 Security (500kg lateral thrust and 200kg front load)



What's in the box?

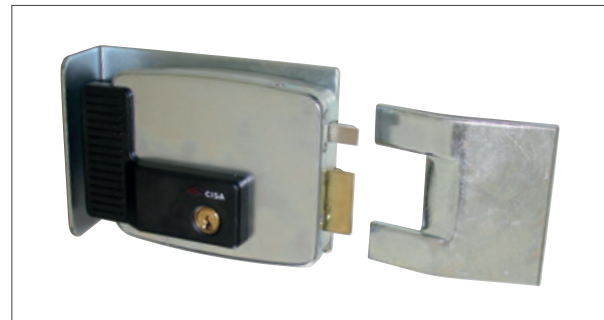
- Electric rim lock
- Striker
- Fixing screws
- 3 keys (1.01070.10.1)
- Installation instructions

11000 Series - Electric Rim Locks



11731.60.1 / 11731.60.2

- Electric rim latch and striker with protective backplate
- Inside push button operation to release latchbolt
- Hold-open function by key from inside
- Supplied with cylinder and spacer (to deactivate button if required and activate hold-open function)
- Available for inward opening doors only
- 60mm backset



11823.80.1 / 11823.80.2

- Electric rim latch and striker for automated up and over doors and gates
- Supplied with protective backplate
- Available for inward opening doors only
- 80mm backset



11921.60.1 / 11921.60.2 / 11921.60.3 / 11921.60.4

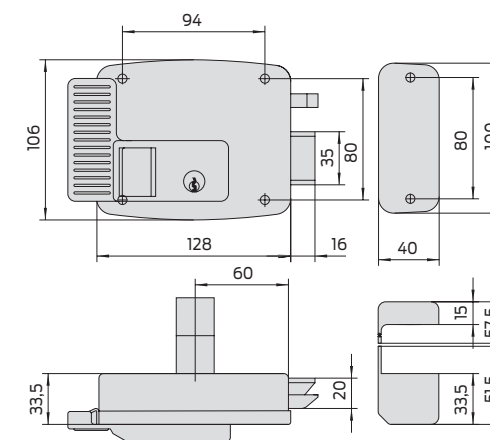
- Electric rim latch and striker
- Supplied with spacer
- Available for inward or outward opening doors
- 60mm backset



11931.60.1 / 11931.60.2 / 11931.60.3 / 11931.60.4

- Electric rim latch and striker
- Inside push button operation to release latchbolt
- Hold-open function by key from inside
- Supplied with cylinder (to deactivate button if required and activate hold-open function)
- Available for inward or outward opening doors
- 60mm backset

Product ref.	Description	Finish
11610.60.1	Electric rim lock with inside push button - RH inward opening	.SV/ZP
11610.60.2	Electric rim lock with inside push button - LH inward opening	.SV/ZP
11610.60.3	Electric rim lock with inside push button - RH outward opening	.SV/ZP
11610.60.4	Electric rim lock with inside push button - LH outward opening	.SV/ZP
11630.60.1	Electric rim lock with inside push button and hold-open c/w cylinder - RH inward opening	.SV/ZP
11630.60.2	Electric rim lock with inside push button and hold-open c/w cylinder - LH inward opening	.SV/ZP
11721.60.1	Electric rim lock with protective backplate & spacer RH inward opening	.SV/ZP
11721.60.2	Electric rim lock with protective backplate & spacer LH inward opening	.SV/ZP
11731.60.1	Electric rim lock with protective backplate & spacer, push button and hold-open - RH inward opening	.SV/ZP
11731.60.2	Electric rim lock with protective backplate & spacer, push button and hold-open - LH inward opening	.SV/ZP
11823.80.1	Electric rim lock for up and over doors, protective backplate - RH inward opening	.SV/ZP
11823.80.2	Electric rim lock for up and over doors, protective backplate - LH inward opening	.SV/ZP
11921.60.1	Electric rim lock with striker - RH inward opening	.SV/ZP
11921.60.2	Electric rim lock with striker - LH inward opening	.SV/ZP
11921.60.3	Electric rim lock with striker - RH outward opening	.SV/ZP
11921.60.4	Electric rim lock with striker - LH outward opening	.SV/ZP
11931.60.1	Electric rim lock with push button, hold-open -RH inward opening	.SV/ZP
11931.60.2	Electric rim lock with push button, hold-open -LH inward opening	.SV/ZP
11931.60.3	Electric rim lock with push button, hold-open -RH outward opening	.SV/ZP
11931.60.4	Electric rim lock with push button, hold-open -LH outward opening	.SV/ZP



all dimensions are in mm

Elettrika - Electric Gate Locks

Elettrika is an electrically operated lock by CISA and is an ideal solution for controlling the security of all types of doors and gates. The rotary hook deadbolt provides high resistance to forced entry and the self-adjusting striker ensures perfect gate closure over an extended period of time.

Elettrika is interchangeable with other electrically operated rim locks due to the common fixing position.



1A610

- Version for timber doors/gates
- Inside push button operation
- Outside rim cylinder operation
- Adjustable backset 50 - 80mm

Features & Benefits

- Rotary hook deadbolt provides high pull resistance up to 2,000kg, six times that of a standard lock
- Hook bolt reduces the gate 'rebound' during closing
- Electric release system is resistant to vibration and has high impact resistance
- Reloading system eliminates the need to slam the gate closed ensuring a quiet and durable operation
- Self-adjusting striker ensures the door/gate closes fully every time over an extended time period
- Non-handed design can be adapted to suit right or left opening doors/gates with a simple operation
- Patented variable backset from 50mm to 80mm
- Optional steel protective cylinder rose available
- Steel case prevents access to the lock's internal components and fixings when the gate is closed
- Zinc plated case also available with Dk grey epoxy powder coated finish for use on steel doors/gates

Operating modes

The rotary hook dead-bolt of Elettrika can be operated in two different modes (patented system):

- **Automatic opening:** the door is opened by the deadbolt rotation
- **Ready to open:** the deadbolt is released but the door remains closed; you must push to open it.

The operation mode is selected by acting directly on the lock.



Testing & Certification

EN 14846:2008 compliant having undergone at least 200,000 opening and closing cycles.

EN 14846:2008 - Grade 6 Security

Tested to over 1,000,000 cycles demonstrates the constancy of performance.



What's in the box?

- Elettrika gate lock
- Steel striker
- Single or double cylinder
- Fixing plates & screws
- 2 spacers for striker
- 3 keys as standard
- Installation instructions

Elettrika - Electric Gate Locks



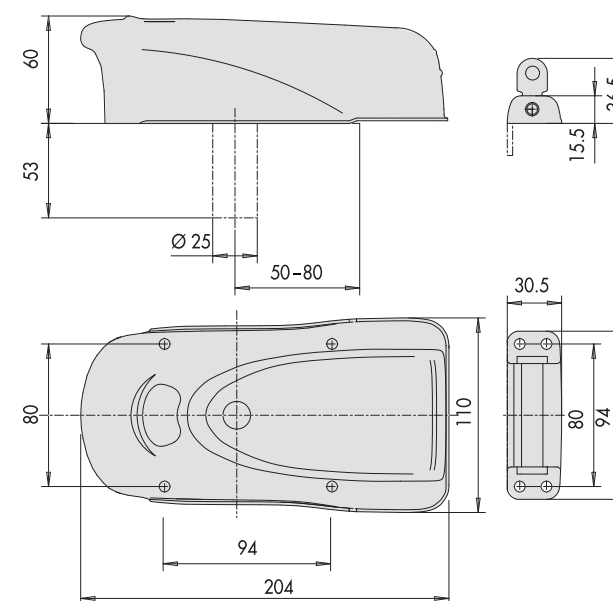
1A630

- Version for timber doors/gates
- Inside push button operation
- Built-in hold-open device
- Outside rim cylinder operation
- Adjustable backset 50 - 80mm
- Reversible for inward or outward opening doors/gates



1A721

- Version for steel doors/gates
- Supplied with backplate for lock and striker to be welded
- Outside rim cylinder operation to deactivate the push button function and activate hold-open function
- Adjustable backset 50 - 80mm
- Reversible for inward or outward opening doors/gates



Technical specification	Product ref:
	1A610 / 1A630
	1A721 / 1A731
Holding force	2,000kg
Voltage	12V AC
Absorbed current	3A



1A731

- Version for steel doors/gates
- Supplied with backplate for lock and striker to be welded
- Inside push button operation
- Built-in hold-open device
- Outside rim cylinder operation to deactivate the push button function and activate hold-open function
- Adjustable backset 50 - 80mm
- Reversible for inward or outward opening doors/gates

Product ref.	Description	Finish
1A610	Elettrika gate lock for timber door/gate with push button activation and outside cylinder	ZP
1A630	Elettrika gate lock for timber door/gate with push button activation, built-in hold-open function and outside cylinder	ZP
1A721	Elettrika gate lock for steel door/gate with push button activation and outside cylinder	ZP
1A731	Elettrika gate lock for steel door/gate with push button activation, built-in hold-open function and outside cylinder	ZP

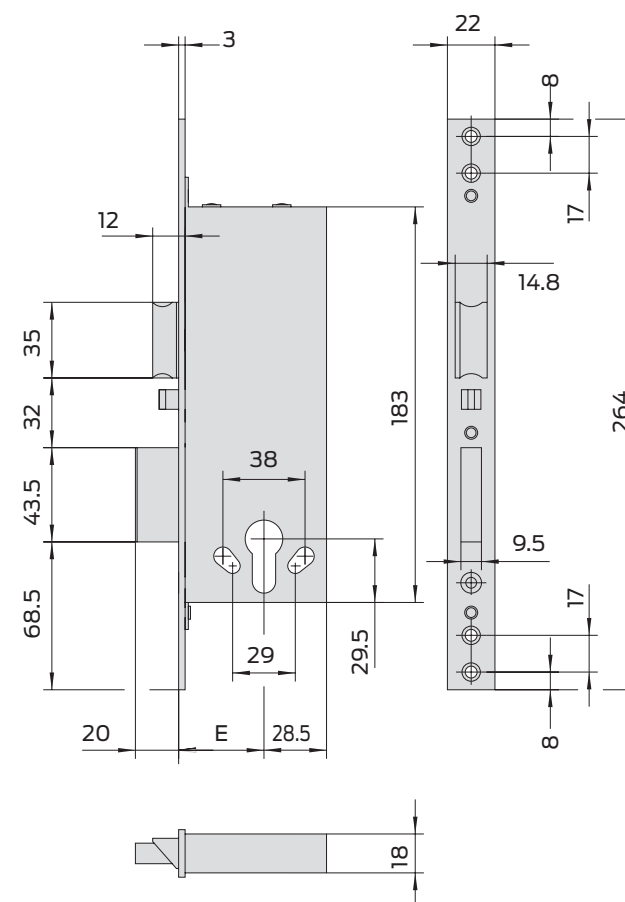
12010 Series - Electric Mortice Locks



CISA electric mortice locks provide door locking when used in conjunction with any Allegion access control system.

Principal Features & Benefits

- Sashlock function with latch and deadbolt
- Zinc plated steel case with satin brass forend and strike plate
- Reversible latch suitable for left and right hand applications
- Electric operation from outside or inside by push button to withdraw the latch
- Deadbolt is thrown and retracted by cylinder operation
- Compatible with all CISA cylinders
- 12V AC rated 2.8A



Backset [E] - Available in 40mm, 50mm and 60mm

all dimensions are in mm

Product ref.	Description	Finish
12010.40	Electric mortice sashlock - 40mm backset	SB
12010.50	Electric mortice sashlock - 50mm backset	SB
12010.60	Electric mortice sashlock - 60mm backset	SB
07009.00.0	Coil set for 12010 Series electric mortice locks	n/a

Testing & Certification

EN 12209 compliant - Grade 3 Security

Full Declaration of Performance available from our website at:

www.britondops.co.uk



What's in the box?

- Electric mortice lockcase
- Strike plate
- Fixings for lock and cylinder
- Installation instructions

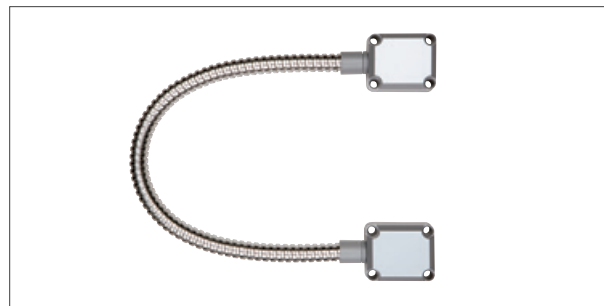
Access Control - Accessories



ACCBS1
Exit push button - flush mounted with green plastic domed button - stainless steel



ACMBS1
Exit push button - flush mounted vandal resistant - stainless steel



ACDL9
Door loop for power transfer - surface mounted



PSTL2
Power supply unit 12v DC - 1 Amp

Product ref.	Description	Finish
ACCBS1	Exit push button - flush mounted with green plastic domed button - stainless steel	SS
ACMBS1	Exit push button - flush mounted vandal resistant - stainless steel	SS
ACDL9	Door loop for power transfer - surface mounted	SV
PSTL2	Power supply unit 12v DC - 1 Amp	N/A

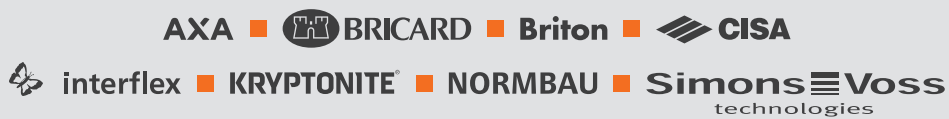
Cl/Sfb	(31.59)	X	
Uniclass	L4181		

May 2020

About Allegion

Allegion (NYSE: ALLE) is a global pioneer in seamless access, with leading brands like CISA®, Interflex®, LCN®, Schlage®, SimonsVoss® and Von Duprin®. Focusing on security around the door and adjacent areas, Allegion secures people and assets with a range of solutions for homes, businesses, schools and institutions. Allegion had \$2.7 billion in revenue in 2018, and sells products in almost 130 countries.

For more, visit allegion.com



Allegion (UK) Limited

35 Rocky Lane
Aston
Birmingham
B6 5RQ

Tel: +44 (0) 121 380 2400
Email: contactuk@allegion.com
Web: allegion.co.uk