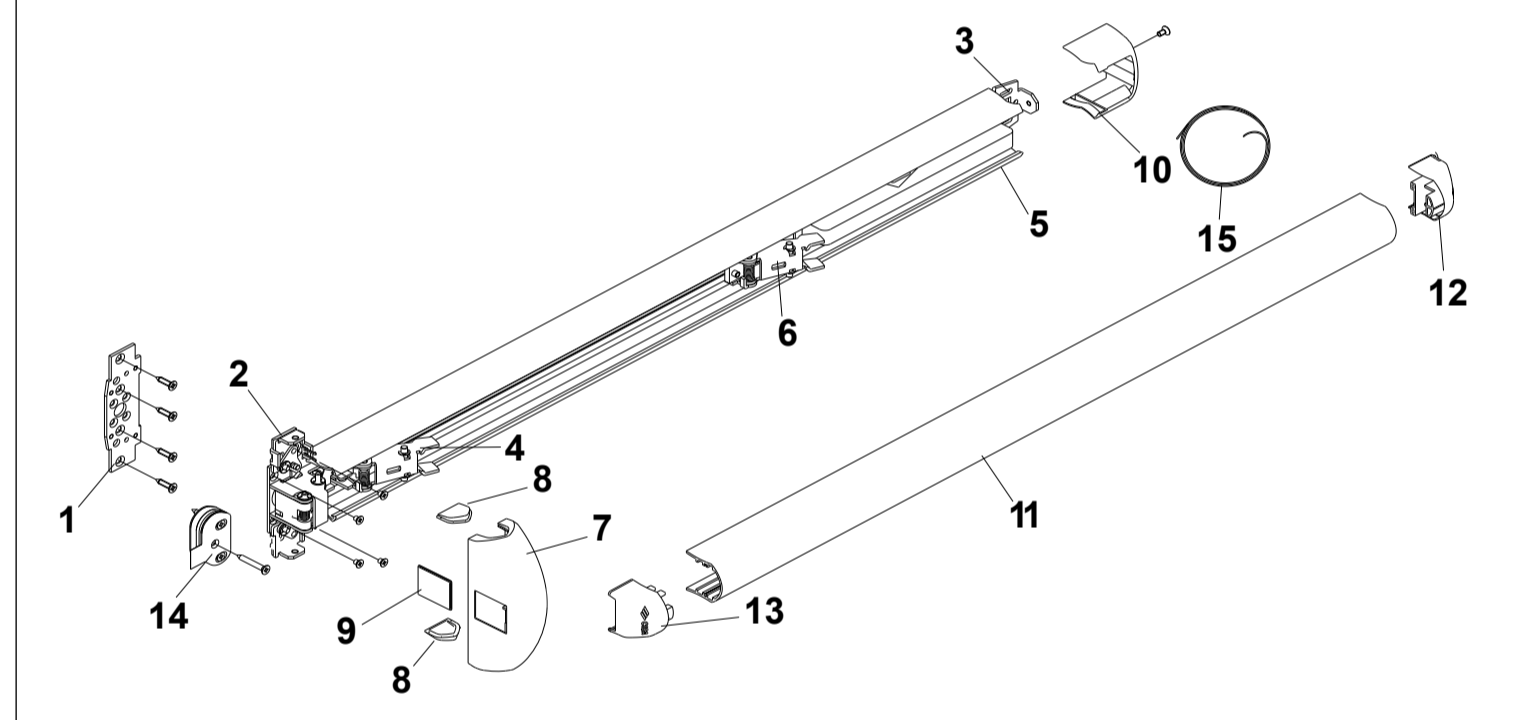


EN "eFAST" SERIES PANIC EXIT DEVICE
FR BARRE ANTIPANQUE SÉRIE "eFAST"
NL SLUITING REEKS "eFAST"

SYMBOLS
Right-handed door (R), Left-handed door (L), Single leaf door (1), Double leaf door (2), Use of outside access devices (OD), Use of additional locking points (AL), Optional part supplied on request (OPT).

Check fitness
Controlleur la planéité
Varchied controleren
Place
Poser
Plaatsen
Align
Aflijnen
Afstellen

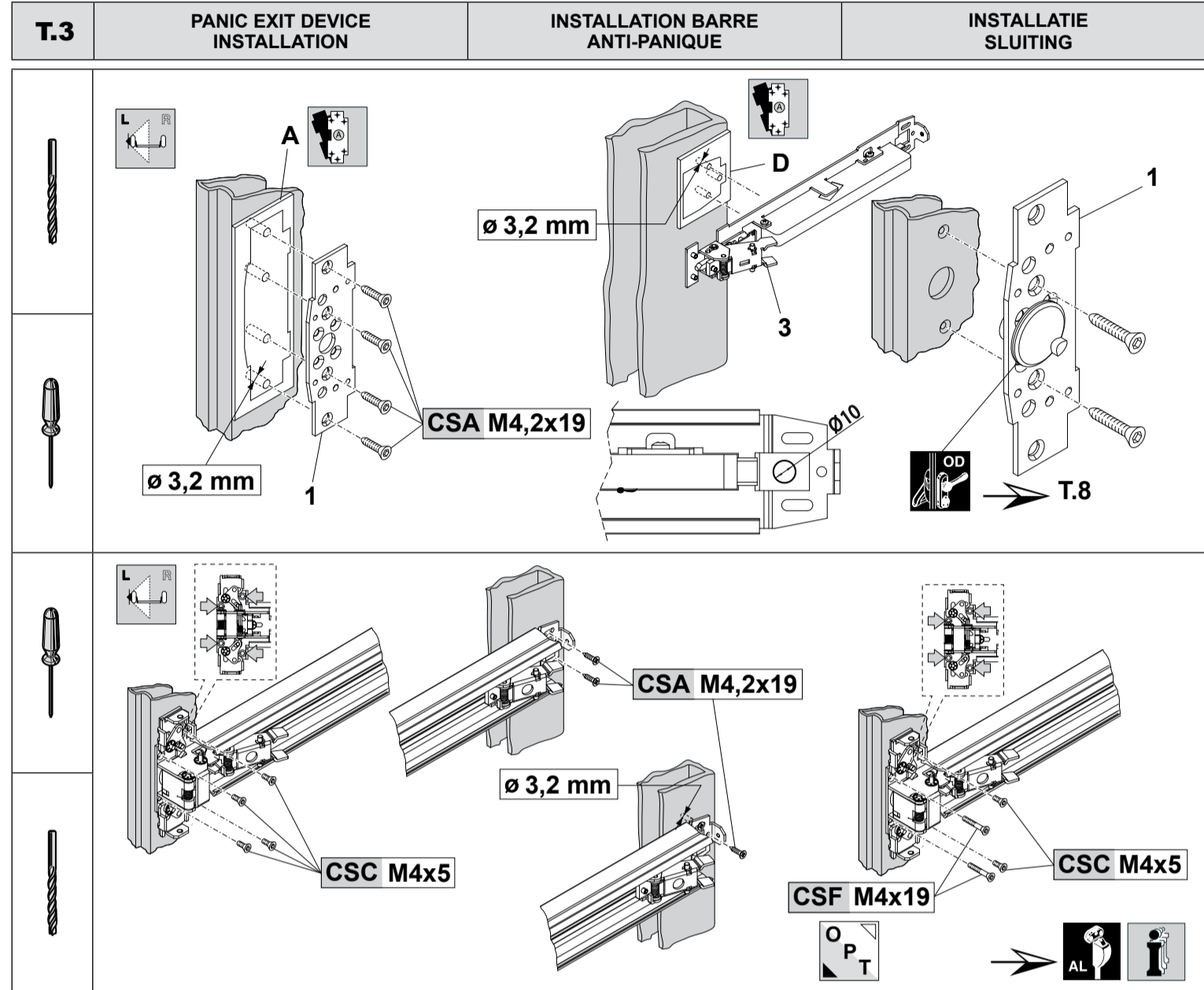
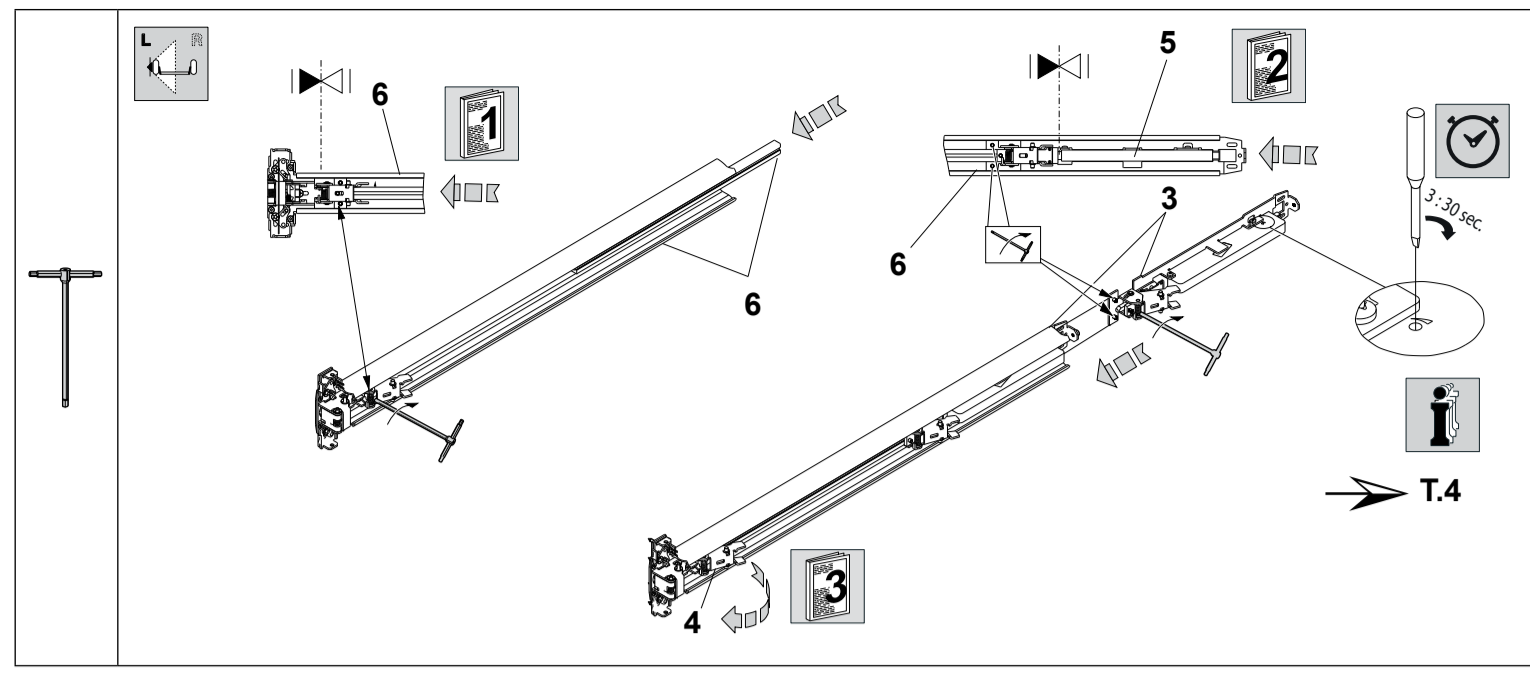
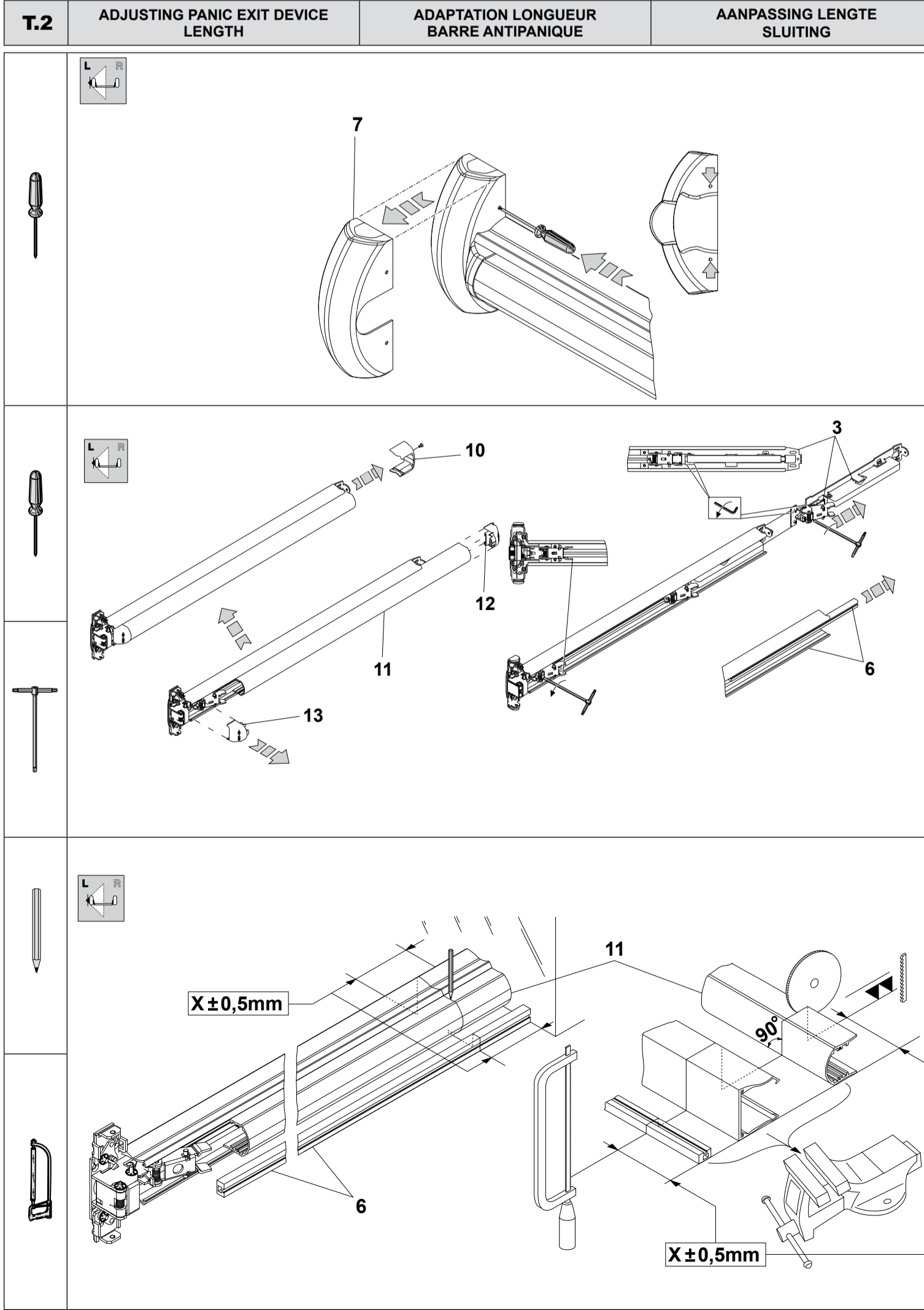
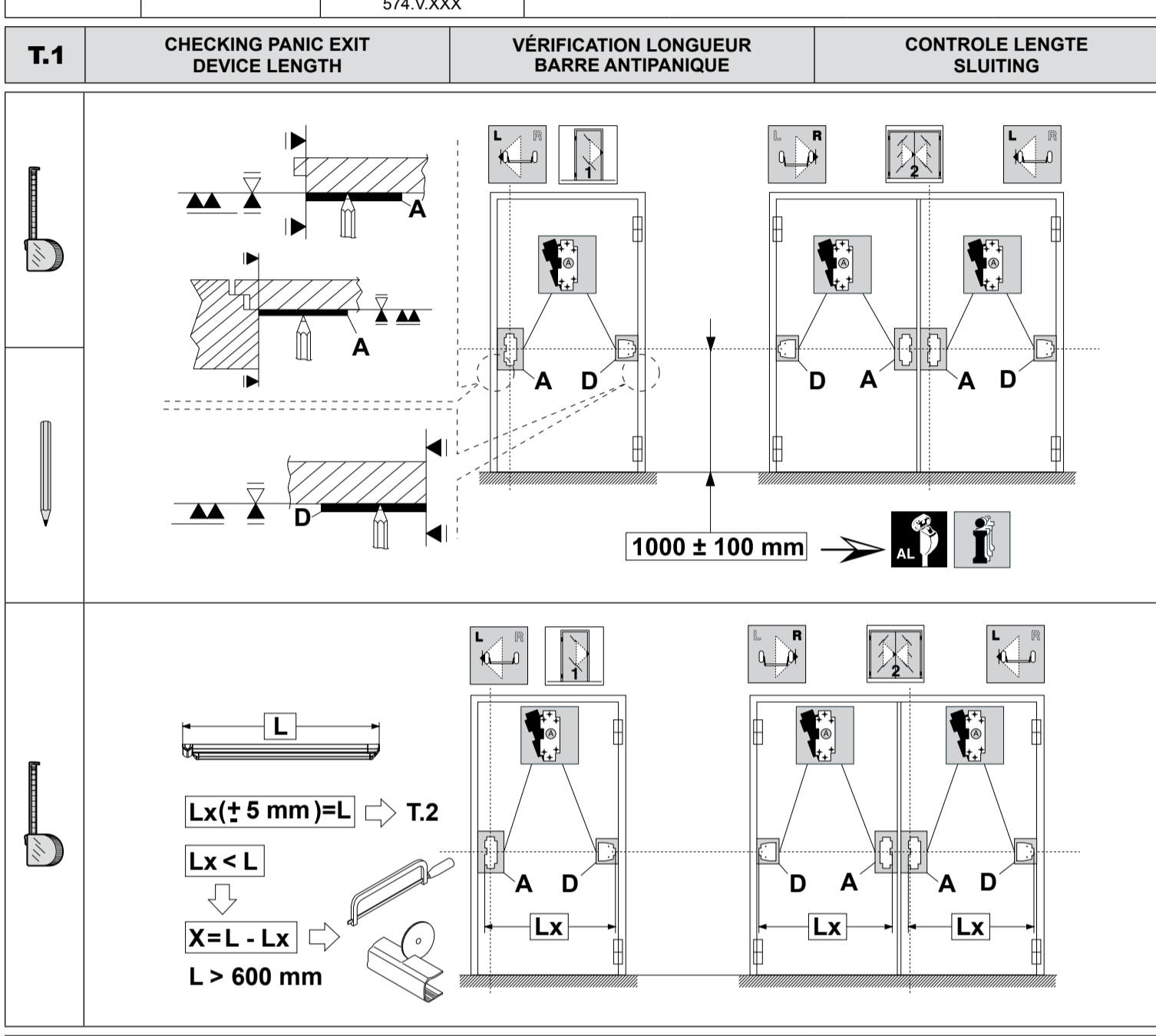
Ref. Q.ty COMPONENTS / COMPOSANTS / ONDERDELEN
1 Plate / Plaque / Plaat
2 Main case / Boîtier principal / Hoofdstokkast
3 Rear support / Support arrière / Steun achterkant



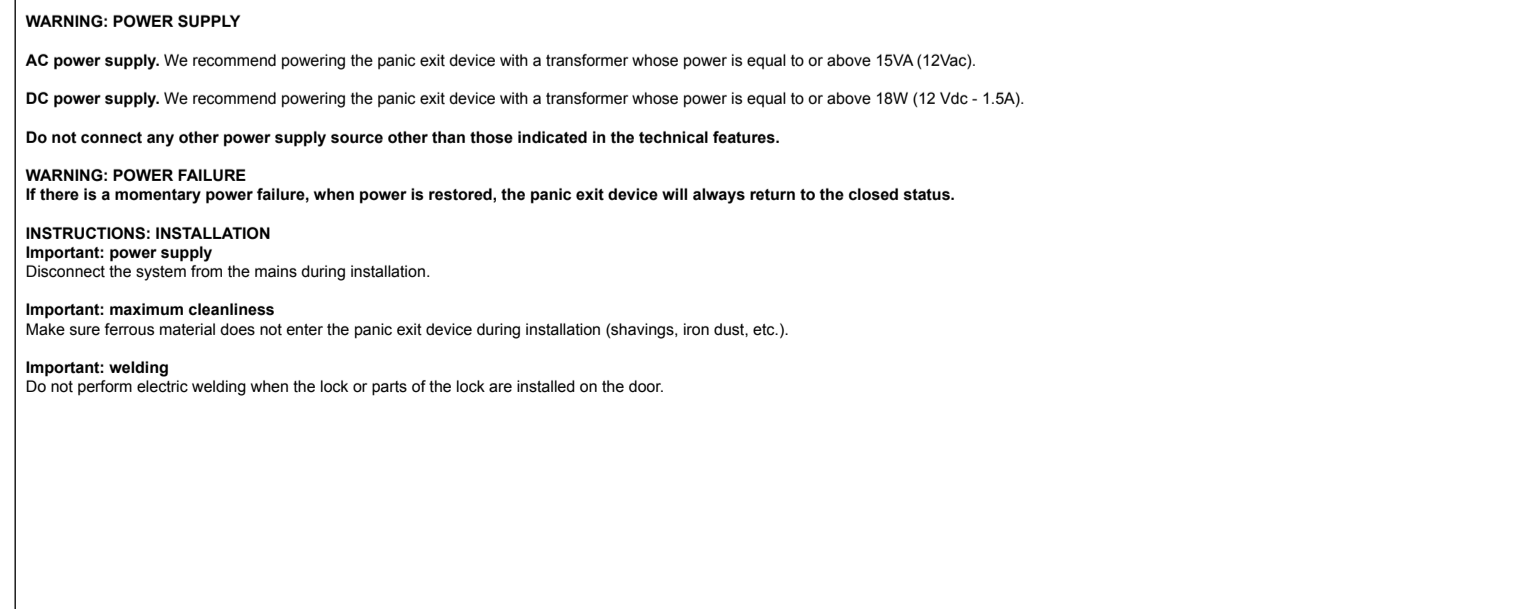
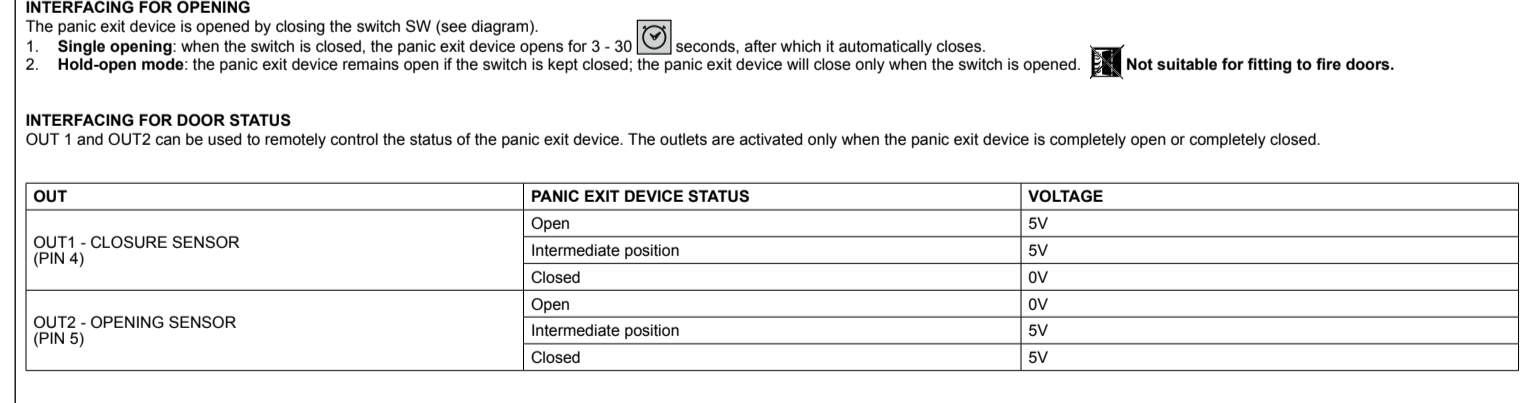
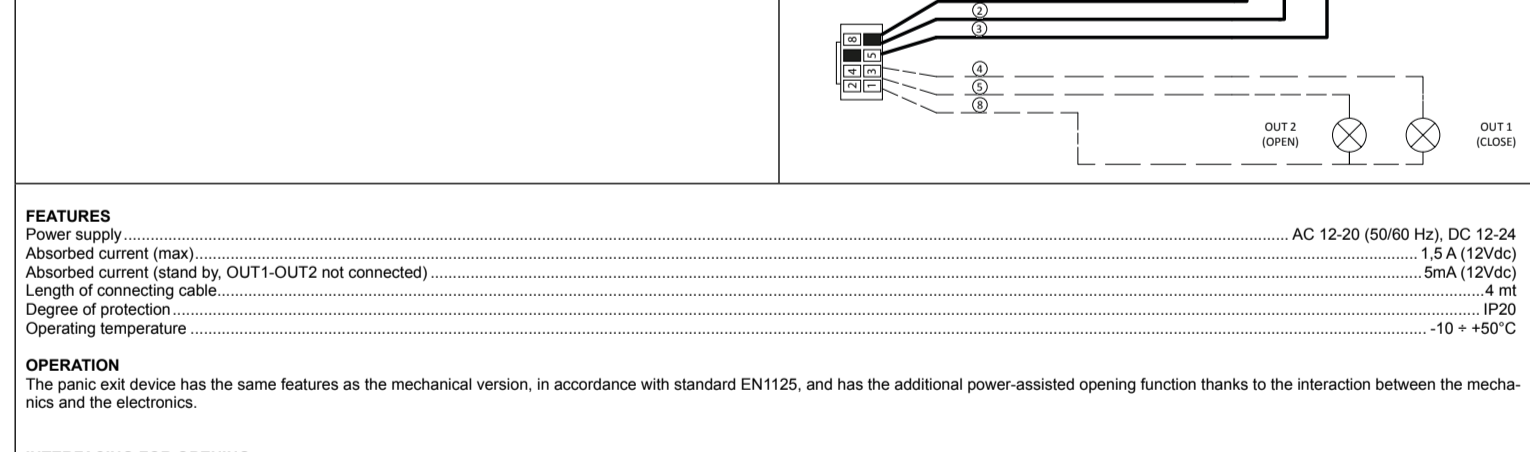
Ref / Réf / Ref Notes
1 Press extended bolt 6 to make contact with front bracket 4.
2 Place the rear bracket 5 against the end of the extended bolt 6.

Ref / Réf / Ref Positioning templates used:
A Main case
D Rear support
Self-sticking templates are included in the package.

Small hardware items used
Pottes pièces utilisées
Gebruikt materiaal
Type of installation and possible configurations
Type d'installation et configurations possibles
Soort installatie en mogelijke configuraties

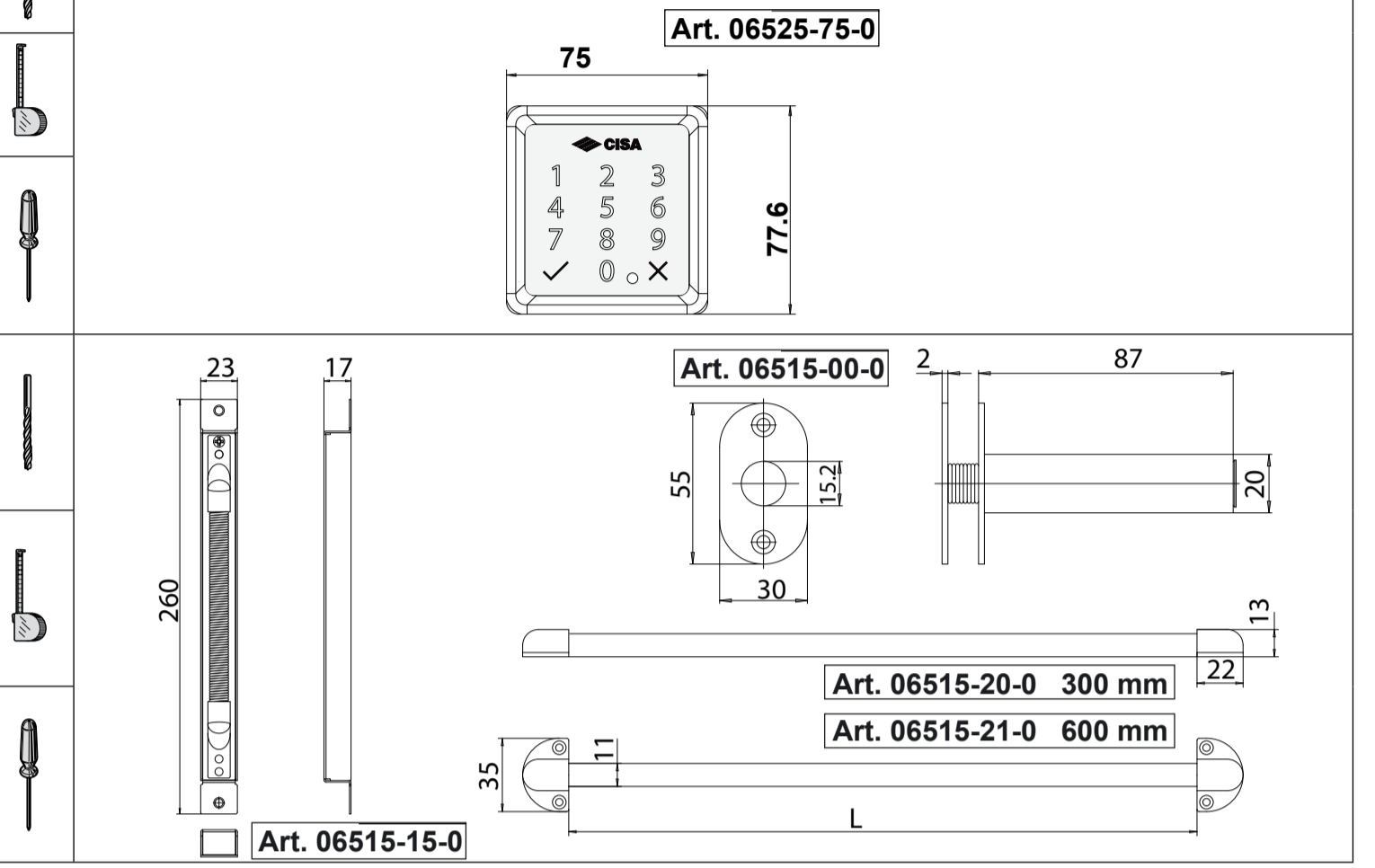
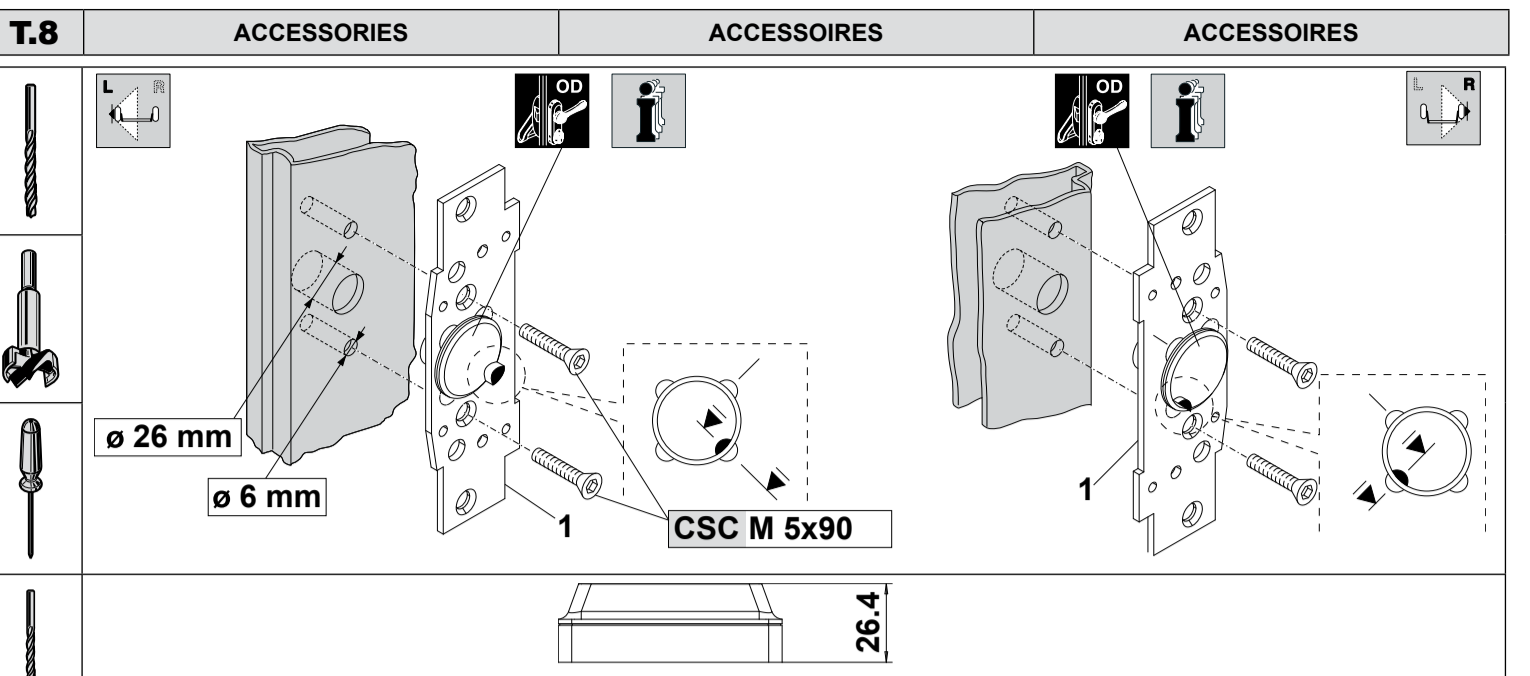
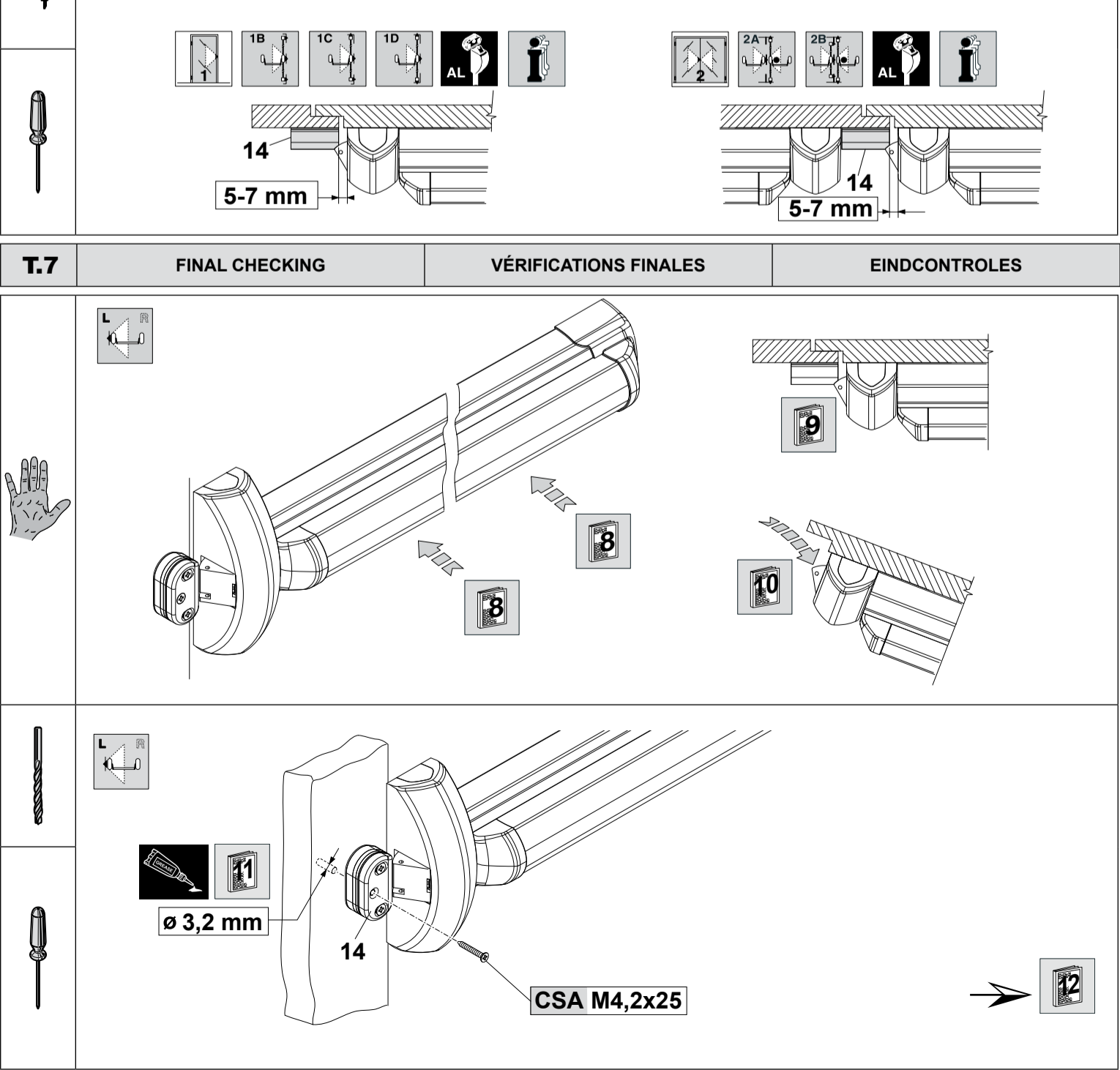
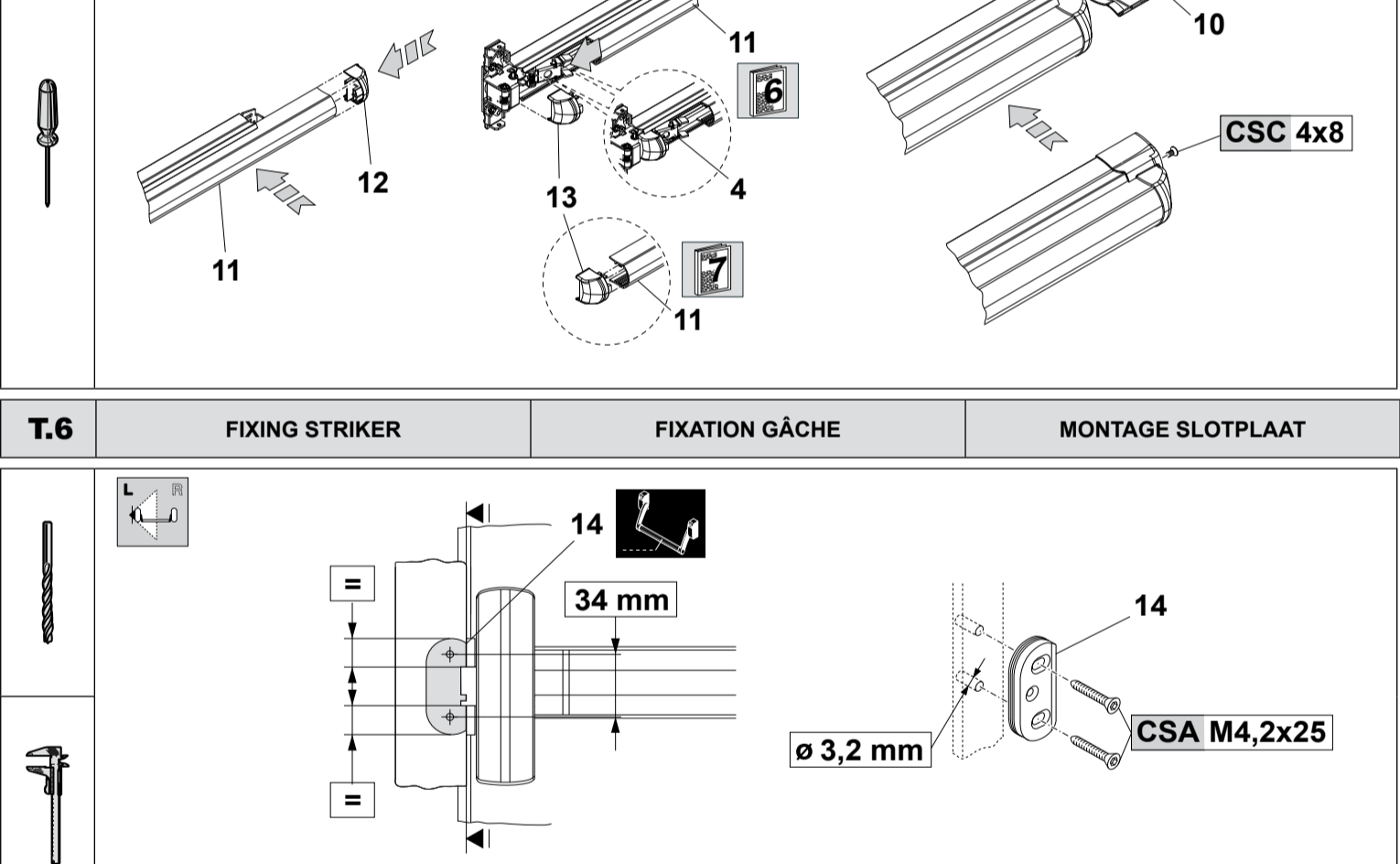
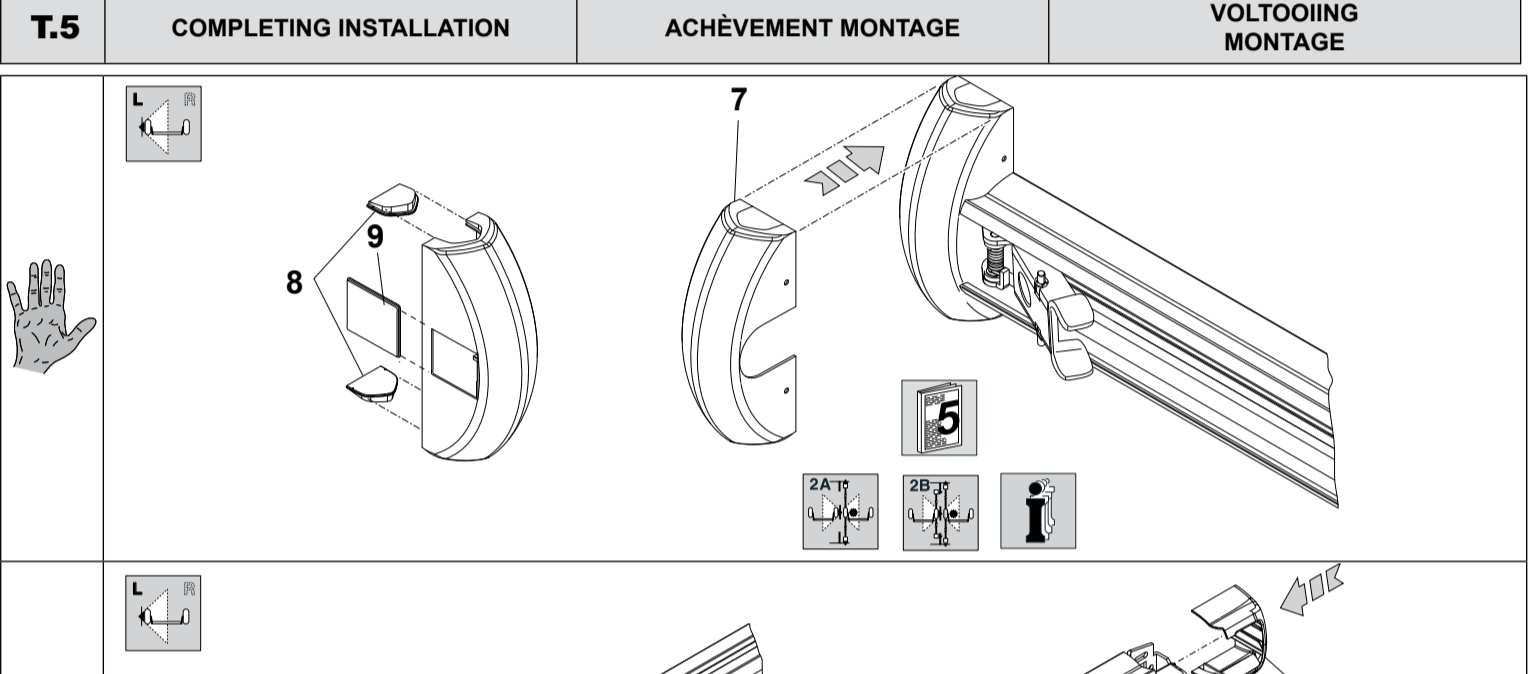


T.4 ELECTRICAL WIRING
BRANCHEMENT ÉLECTRIQUE
ELEKTRISCHE AANSLUITING
PINOUT / BRANCHE / PINOÛT
Colour / Couleur / Kleur Description / Description / Beschrijving



CARACTÉRISTIQUES
Temps d'opération: CA 12-20 (S0W0 H4), DC 12-24
Courant absorbé (max.): 1.5 A (12Vdc)
Bloc d'alimentation (12-20 VAC, 12-24 VDC): 1.5 A (12Vdc)

T.5 COMPLETING INSTALLATION
ACHÈVEMENT MONTAGE
VOLTOOIING MONTAGE
8 9 10 11 12 13 14 15



CERTIFICATES OF COMPLIANCE
CONFORMITÉTSCERTIFICAAT
KONFORMITÄTSEK-LÄRUNGEN
THIS PRODUCT IS CERTIFIED IN COMPLIANCE WITH CE NORMS, FOLLOWING RULES ON BUILDING PRODUCTS No. EU 305/011.

Certifications
The product complies with European Directive 2014/30/EU for electromagnetic compatibility in accordance with standards CEI EN 61000-6-1:2007, CEI EN 61000-6-3:2007, EN 55014-1:2008 (A1, A2), EN 55014-2:2008 (A1, A2).