

Briton

Panic and
emergency exit
solutions



Education



Commercial



Healthcare



Hospitality



Transportation



Residential



Designed to provide immediate escape, first time, every time

When lives may depend on an exit device we feel we have a responsibility to design and test our products to exceed all current performance and safety standards, ensuring they will operate first time, every time.

The Briton 560, 570 and 580 Series has been designed to offer modular solutions to panic exit applications which require multi-point latching with a superior and refined aesthetic, designed and manufactured in Italy.

The Briton 376 Series is designed to provide immediate escape and still incorporates all the features and benefits expected from an exit device that is branded Briton.

The Briton ranges, comprising the following variants, are fully compliant with EN 1125 or EN 179, are CE marked to the latest standards and come complete with a 5 year guarantee:

- Vertical panic bolts
- Reversible rim panic latches
- Mortice panic nightlatches
- Push pad vertical bolts
- Reversible push pad rim panic latches
- Push pad mortice nightlatches
- Motorised touch bar panic exit solutions



Education

In educational establishments it is often the case that entrance doors will also be one of the fire exits for the building. The Briton 571 EL panic exit device allows monitored safe and secure access, whilst allowing immediate exit to guarantee the safety and security of students, pupils and staff.



Commercial

The offices and buildings where we work require special protection, keeping those who work there and the goods produced safe and secure. Briton exit hardware solutions allow for secure access and efficient evacuations in panic or emergency situations.



Healthcare

Ensuring patient, visitor and employee security and safety is a major element in the efficient and effective operation of any healthcare facility. Managing the access of frequently used areas is essential to meet such diverse needs, and this can be achieved with Briton.



Hospitality

Safety and security comes top of the priority list for hotel guests, and peace of mind can only be achieved when we can rely on the performance of our surroundings. Briton exit devices reliably secure egress doors in compliance with all the latest standards safeguarding people, their belongings and the premises.



Transportation

Briton panic exit hardware ensures the safety and convenience of the large volumes of people that pass through public transportation facilities each day. Heavy duty and durable, Briton exit devices are designed to last and withstand high usage in these demanding environments.



Residential

From main entrances, to common areas, stairwells and emergency exits, Briton exit hardware is the smart solution to balance the need for access control and freedom of movement. Prone to daily abuse and constant use, Briton exit devices will perform reliably with minimal maintenance.



Panic or emergency?

It is mandatory for all exit devices to comply with the latest revisions of EN 1125 or EN 179 and CE marking.

All Briton 560, 570, 580 and 376 Series exit devices have been tested and certified to prove compliance with the latest standards EN 1125 & EN 179 which govern the application of panic and emergency exit hardware, but which standard applies to which application?

Following the update to the standards in 2008, testing became more onerous to better reflect 'real life' scenarios and now require the exit devices to function effectively under the action of a side load, which simulates the addition of smoke/door seals.



Panic Applications - Conforming to EN 1125

A 'panic' application is where the exit door is used by members of the public and must provide "safe and effective escape through the doorway with minimum effort and without prior knowledge of operation".

Typical applications include:

- Shops
- Schools
- Hospitals
- Theatres and Cinemas

According to EN1125 the length of the panic exit device should be as near as possible the effective width of the opening and not less than 60% of the width of the opening.



Emergency Applications - Conforming to EN 179

An 'emergency' application is where the exit door is in a low occupancy environment and will only be used by trained personnel, such as in a place of work never accessed by the public or people unfamiliar with the escape drill.

Typical applications include:

- Offices
- Private Flats & Apartments
- Store Rooms & Boiler Rooms

Products used in emergency applications require only a single point of operation e.g. pushpads or levers.

For Declaration of Performance please go to:

www.britondops.co.uk

For full details of certification please go to:

www.allegion.com/uk/downloads and click on Test Certificates.

Testing and CE Marking

Rigorous testing is continually being carried out on the Briton range of exit hardware providing peace of mind for specifiers, distributors, installers and users.

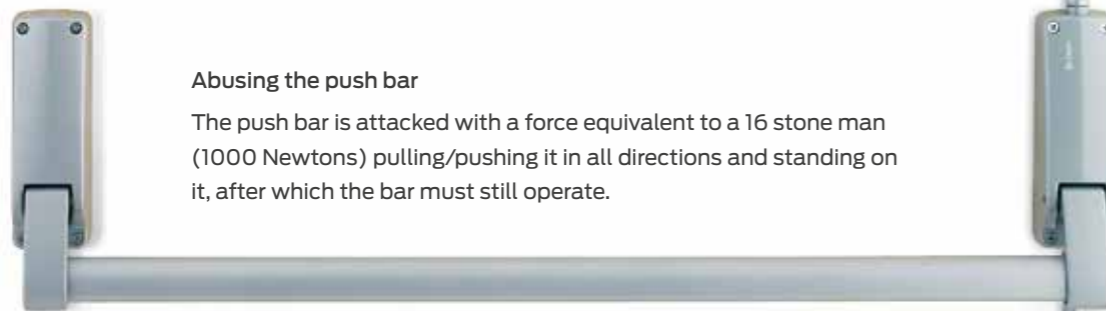
Low operating force

Repeatedly tested to operate at 50% lower than the standard requirement, ensuring that the door can be operated with minimum force, for example by small children, the elderly and people with special needs.

Two tests are undertaken. The first is to operate the door with a maximum force of 80 Newtons.

The second test simulates a panic situation whereby the door is put under 1000 Newton pressure to simulate a group of people pushing against the door.

The operating force on the device with this weight should not exceed 220 Newtons.



Abusing the push bar

The push bar is attacked with a force equivalent to a 16 stone man (1000 Newtons) pulling/pushing it in all directions and standing on it, after which the bar must still operate.

Cycle testing

All Briton panic devices exceed the highest requirement of 200,000 cycles, ensuring durability for everyday use.

The finger trap test

To reduce the risk of trapping fingers and/or the blocking of the panic device, any gap shall not trap a test rod of 10mm dia. at any position of the bar travel during the operation of the panic device.

Abusing the bolt

Testing the bolt strength involves the equivalent of the combined strength of 4 people trying to pull the bolt away from the door.

An attempted break-in is simulated to test the security of the bolt, force is applied to the anti-thrust device as if the bolt were being 'jimmied' out of its socket.

Corrosion resistance

A test which measures how suitable the exit device is for varying environmental conditions. All Briton exit hardware has been tested to EN 1670 Building Corrosion Requirements and has achieved at least grade 3 (high resistance) and the Briton 560-570 Series grade 4 (very high resistance). This ensures the product will function correctly in wet, polluted and exterior environments. Note, EN 1670 test does not relate to the finish.



EN classification codes

Under both standards (EN 1125 and EN 179), each product is classified and graded to identify the level of compliance within each category. These classifications are set out below with the additional element of 'Field of Door Application' introduced in the 2008 edition of EN 1125 and EN 179 shown highlighted.

It is mandatory for manufacturers to mark all panic and emergency exit devices with the new CE classification to prove compliance with the latest standards.

To be sure exit hardware meets the CE mark criteria it should meet all of the requirements listed below:

1. - CE certificates are readily available for inspection.
2. - Products are regularly tested within an accredited testing facility as part of an ongoing audit test programme.
3. - Products are manufactured on a production line that has been inspected and accredited under FPC (Factory Process Control) conditions, a further requirement of the CE marking process. This ensures that correctly specified materials and manufacturing methods are consistently employed.
4. A Declaration of Performance is available providing information on the performance of the product.

	3 (3)	Category of use Class 3 = high frequency of use by public and others with little incentive to exercise care.
Durability (Cycle Testing)	7 (6/7)	Grade 6 - 100,000 cycles Grade 7 - 200,000 cycles
Fire Resistance (EN 1634)	B (0/A/B)	Grade 0 - not approved for fire/smoke door use Grade A - approved for smoke door assemblies Grade B - approved for use on fire & smoke door assemblies
Corrosion Resistance (EN 1670)	3 (3/4)	Grade 3 - high resistance Grade 4 - very high resistance.
Projection of Device	2 (1/2)	Class 1 - projection up to 150mm Class 2 - projection up to 100mm
Field of Door Application	A (A-C)	Category A - Single/Double door - active or inactive leaf Category B - Single door only Category C - Double door only - inactive leaf only
	2 (2-5)	Security EN 1125 - Grade 2 - up to 1000N. EN 179 - Grade 2 - 1000N - Grade 3 - 2000N - Grade 4 - 3000N - Grade 5 - 5000N
	A (A/B)	Type of Operation EN 1125 Type A - 'push bar' operation Type B - 'touch bar' operation EN 179 Type A - 'lever handle' operation Type B - 'push pad' operation



Briton 571 touch bar panic exit device coupled with Briton 574.S side acting pulman latches providing 3 point latching.

With options to suit every application and budget

Medium to high end specifications The Briton 560 Series push bar devices offer a modular solution to panic exit applications. By combining additional latching points, the Briton 560 offers up to 5 point latching on single or double doors. Ideally suited to medium to high end commercial specifications. The Briton 560 is also available as a push pad for emergency exit applications.



Medium to high end specifications The Briton 570 Series touch bar devices offer the same performance and the security of multi-point locking as the Briton 560 Series but with touch bar operation. Briton 570 offers up to 5 point latching on single or double doors. Ideally suited to medium to high end commercial specifications where the elegant low profile look of the touch bar is an important consideration.

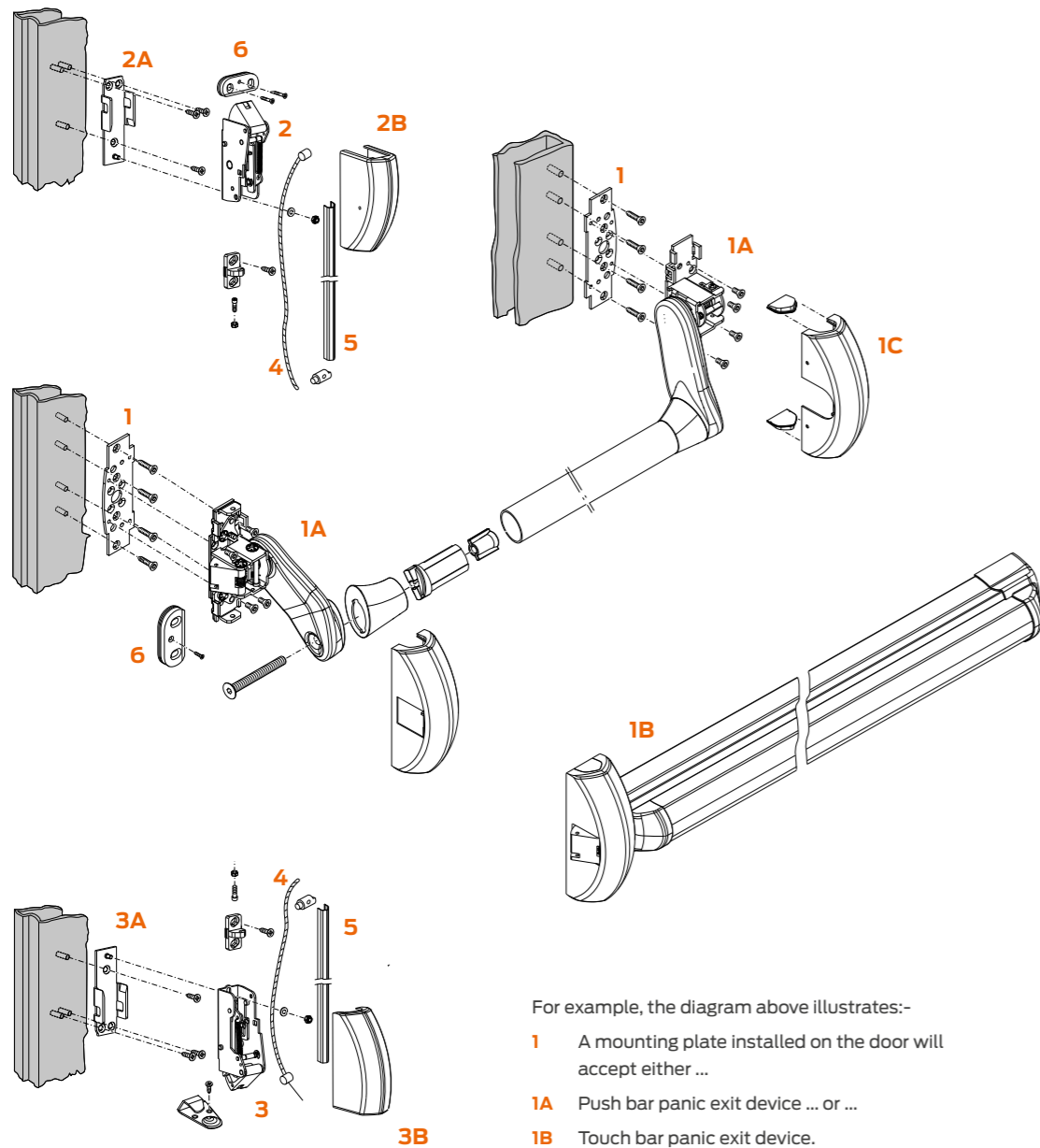


Low end to medium specifications This is the latest refinement of the long established Briton 376 Series panic and emergency exit hardware. This value engineered range offers the ideal combination of performance, in a simple, attractive and affordable package. With push bar or push pad operation it provides single point latching or vertical bolt security for panic or emergency exit applications.



Choose an operating device, 560 push bar or 570 touch bar or 581 push pad and select additional latching devices if they are required.

Briton 560, 570 and 581 exit devices have been designed to offer modular solutions for mid to high end specification, providing a combination of style, safety and optimum security. Comprising of one-point locking push bar or touch bar device and optional modular locking elements, these units offer increased flexibility and adaptability to suit individual requirements.



For example, the diagram above illustrates:-

- 1** A mounting plate installed on the door will accept either ...
- 1A** Push bar panic exit device ... or ...
- 1B** Touch bar panic exit device.
- 1C** Snap-on cover(s) conceals the mechanism and fixings.
- 2** Optional upper pullman kit with mounting plate [2A], snap-on cover [2B], patented Fast-Fix cable [4], cable cover section [5] and strike [6].
- 3** Optional lower pullman kit with components as for the upper pullman.

Pullman latches

Pullman latches provide a smooth and quiet closing action, ideal for interconnecting doors in highly populated areas.

Available as top/bottom latches or side acting latches for applications where installation of the striker to the floor or threshold is not practical.

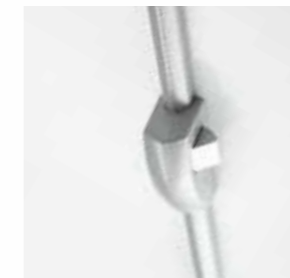
In all cases the pullman latch is connected to the push bar or touch bar activation device using a unique adjustable stainless steel cable which is fully concealed beneath extruded cover channels.

Push bar or touch bar

At the heart of the system is the activation device which is available in a 'push bar' design or the lower projection 'touch bar'. Each device can be used on its own to provide single point latching or with the addition of universal pullman latches for multi-point latching.



Additional side pullman latches (right) can be added to the system. These can be used at any position above or below the activation device to produce 4 or even 5 point latching on a single door.



Security

Designed to provide immediate escape at any time these devices also provide a high level of security from intruders from the outside. The anti-thrust device in the latch and pullmans prevents unauthorised retraction of the latches and the modular design allows various levels of multi-point locking.



Top pullman



Upper side pullman



Lower side pullman



Bottom pullman

Installed in approximately seven minutes, half the time of the previous system.

Installation benefits

The Briton 560 and 570 Series has a number of unique features to make installation much easier and quicker:

- Easy-to-use Accufit templates and backplates for the individual panic devices and the pullman latches
- Patented Fast-Fix cable system replaces the conventional vertical rods to connect the operating unit and the pullman latches
- Fine adjustments of the cable system are possible in-situ for maximum accuracy during installation
- Minimal measuring is required to prepare the units to suit the door height
- Quick and simple snap on covers for the operating mechanisms and pullman latches
- Easy to follow pictorial installation instructions

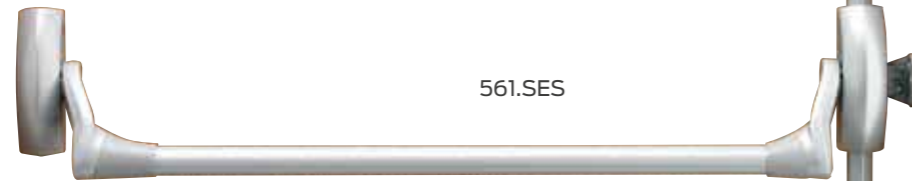


Modular push bar panic exit hardware

Features and benefits

- Fully compliant with EN 1125 and CE marked
- Robust construction with improved durability suitable for all heavy traffic applications
- Reversible on site for left or right hand doors
- Cross bar and vertical cable covers can be cut on site to suit door width and height
- Shaped cross bar end piece to allow easier access to door lock
- Suitable for doors with a minimum clear opening width down to 500mm. This can be reduced to 350mm where side latches are not required
- Suitable for optional pullman latch kits
- Available in a range of sprayed and plated finishes
- Supplied with easy clean socket

574.VS.R.SE



561.SES



561.SE



EN1125 Classification - 377B1422AA

574.VS.R.SE*

(order 574.VS.L.SE for a left hand device)



The modular nature of the Briton 560 and 570 Series means the finish of the operator and any additional pullman latch kits must be specified. Various combinations are possible.

Above: 561 Operator in SES finish with pullman latch kit in SE finish

Top Right: 561 Operator in SE finish with pullman latch kit in BM finish

Components	Description	Finish
561	Push bar operating device with single point latch*	SE; SES
574.V	Pullman latch kit with latches top and bottom	SE; BM
574.S	Pullman latch kit with upper and lower side acting latches	SE; BM
574.VS.R	Pullman latch kit with top latch and lower side acting latch for RH doors	SE; BM
574.VS.L	Pullman latch kit with top latch and lower side acting latch for LH doors	SE; BM

*The latch may be disabled if required when used with pullman latch kits or when used as part of a double door configuration

The combinations below are the most common applications of the push bar device and the modular pullman latch kits. When ordering you must order the operating device and the pullman kit(s) required. For further guidance refer to page 18.



One Point Latching

- Suitable for use on single doors and the first opening leaf of rebated double doors.
- Upgradeable to multi-point latching.
- Non-handed – suitable for both left and right handed doors.
- Dogging device (hold-open) option available (see page 34 for details).
- Alarm micro-switch option available (see page 34 for details).

Components required
Briton 561



Two/Three Point Locking with Upper and Lower Pullmans

- Suitable for use on single doors, rebated and non-rebated double doors.
- Upgradeable to four point locking on single doors.
- Non-handed – suitable for both left and right handed doors.
- Dogging device (hold-open) option available.
- Alarm micro-switch option available.
- Alternative bottom striker option available.

Components required
Briton 561
Briton 574.V



Two/Three Point Locking with Two Side Pullmans

- Suitable for use on single doors and the first opening leaf of rebated double doors.
- Upgradeable to four point locking on single doors and first opening leaf of rebated double doors.
- Non-handed – suitable for both left and right handed doors.
- Dogging device (hold-open) option available.
- Alarm micro-switch option available.

Components required
Briton 561
Briton 574.S



Three Point Locking with One Upper and One Side Pullman

- Suitable for use on single doors.
- Upgradeable to four point locking on single doors.
- Handed – 574.VS.L suitable for left handed doors & 574.VS.R suitable for right handed doors.
- Dogging device (hold-open) option available.
- Alarm micro-switch option available.

Components required
Briton 561
Briton 574.VS.L or Briton 574.VS.R



Briton 574.AS additional side pullman latches can be added to any of the systems to provide an additional latching point.



A range of components is available to provide additional functionality to the Briton 570 Series. Refer to page 34 for further details.

Ordering the right components

When ordering multi point latching options ensure you order a 561 operating device PLUS the appropriate pullman latch kit if required.

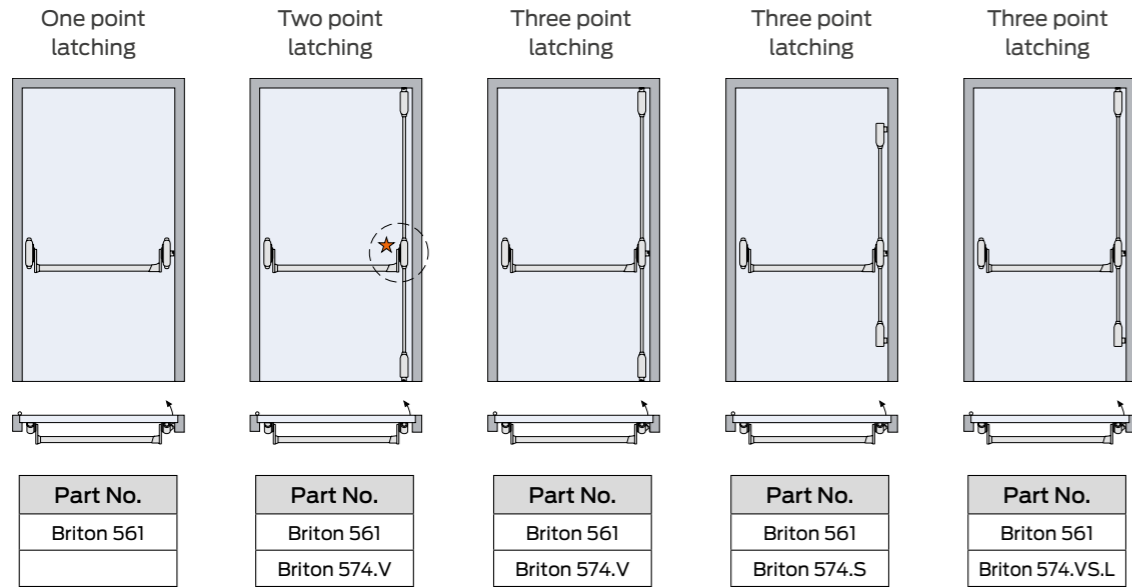
Make sure the finish of the pullman latch kit co-ordinates with the finish of the operating device.

For double door configurations ensure you order ALL the components listed in the tables on page 18.

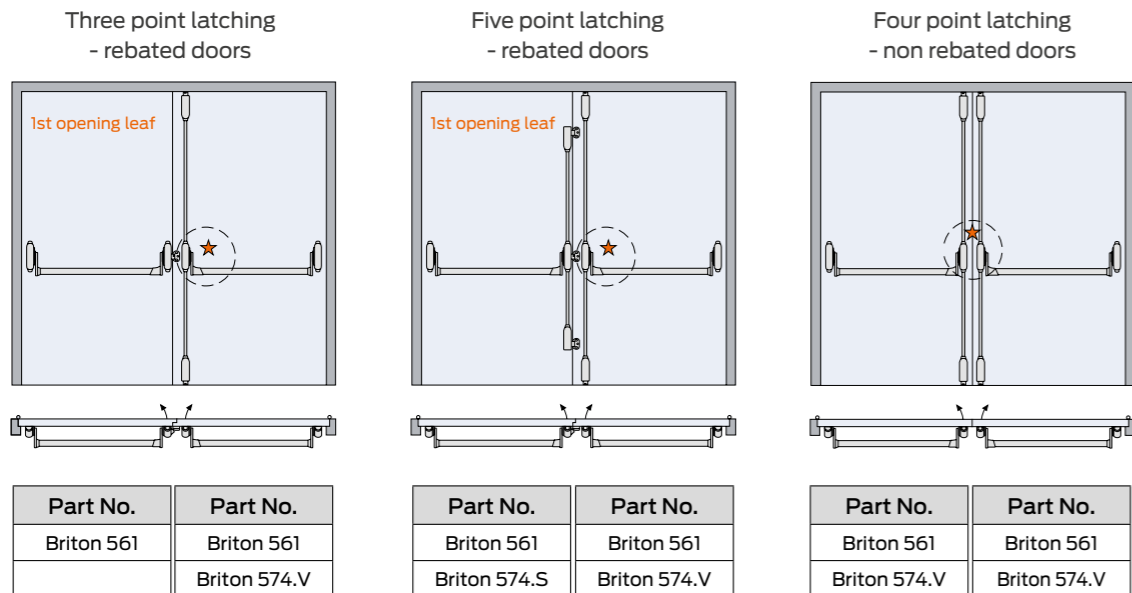
Briton 560 Series - Applications

Briton 560 Series exit hardware is suitable for application to single doors, and in various combinations on non-rebated and rebated double doors.

Single door applications - Briton 560 Series



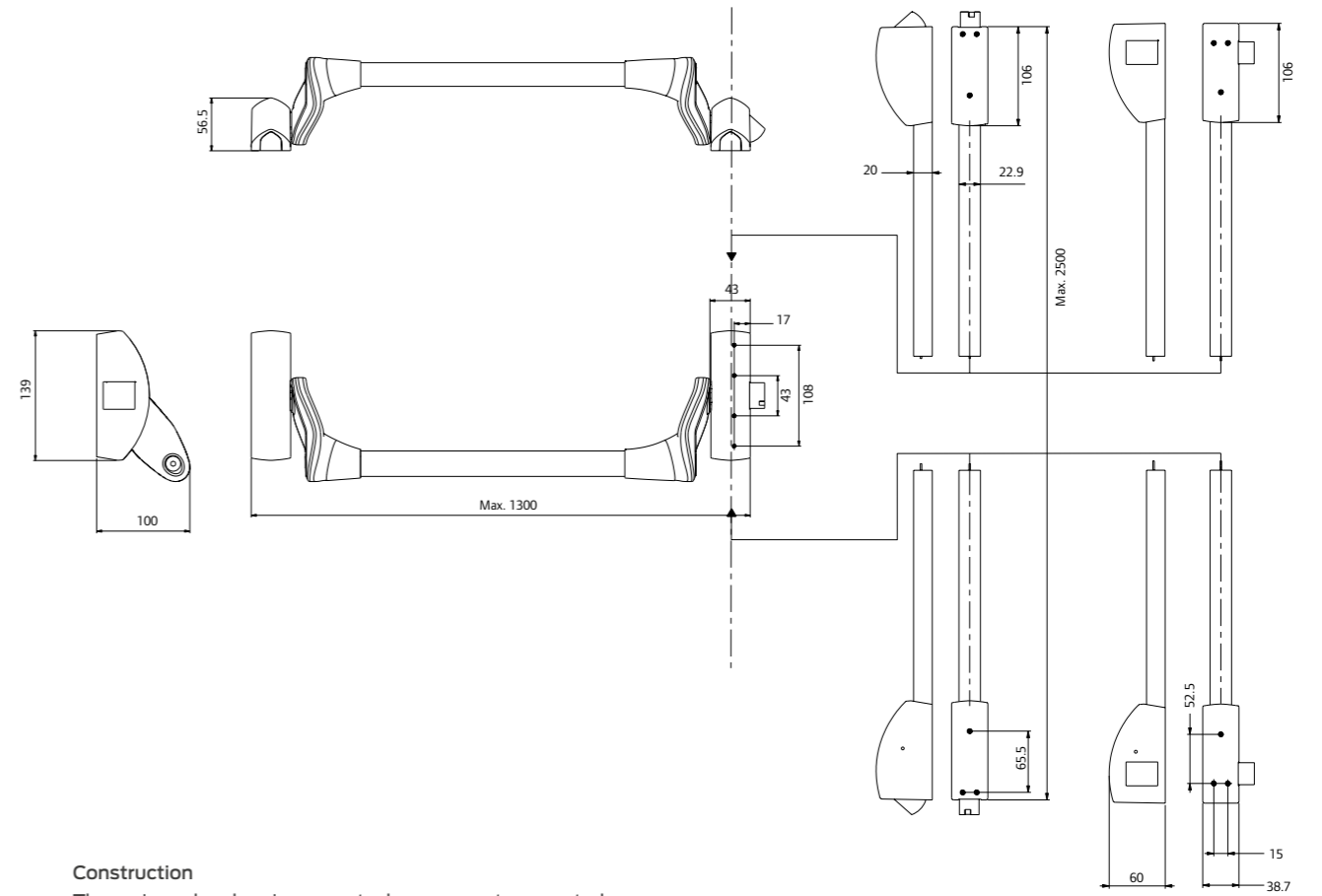
Double door applications - Briton 560 Series



★ Side latch not required - disable during installation

Briton 560 Series - Technical details

Briton 560 Series



Construction

The main and end casings are steel components, mounted on a steel chassis and covered by a precision zinc die-cast cover. The steel latch is activated by a tubular steel bar.

Locking kits (574.V/574.S/574.VS/574.AS)

The locking points are constructed of steel components mounted on a steel chassis incorporating a steel latch. Connection to the push bar or touch bar device is via adjustable stainless steel cable concealed by an extruded aluminium cover.

Fixing/installation

These surface mounted devices come complete with easy to follow pictorial fixing instructions. Self adhesive Accufit templates ensure accurate installation of backplates for mounting the operating mechanism and pullman latches. Mechanisms are clamped onto the backplates. Flexible steel cables connecting the operating mechanism to the pullman latches require no measuring and adjustment screws in the main unit allow for fine adjustments. Clip on covers to the main unit and pullmans complete the installation. The devices are supplied with adjustable strikers with packers to ensure continued optimum performance. Fixing and maintenance instructions must be passed on to the user upon completion of installation.

Briton 570 Series

Modular touch bar panic exit hardware

Features and benefits

- Fully compliant with EN 1125 and CE marked
- Robust construction with improved durability suitable for all heavy traffic applications
- Suits left or right hand doors
- Supplied in 2 length options to suit door width
- Touch bar and vertical cable covers can be cut on site to suit door width and height
- Grip function on touch bar to allow the door to be pulled closed
- Suitable for doors with a minimum clear opening width down to 500mm. This can be reduced to 350mm where side latches are not required
- Suitable for optional pullman latch kits
- Available in a range of sprayed and plated finishes
- Supplied with easy clean socket



EN1125 Classification - 377B1422BA

NEW ADDITION: Electromechanical panic exit device

Recently added to the Briton 570 Series is the 571 EL, an electronic version of the 570 touch bar exit device which can be integrated with electronic access control systems. See page 28 for further details.



Briton 570 Series - Features and benefits



The modular nature of the Briton 570 Series means the finish of the operator and any optional pullman latch kits must be specified. Various combinations are possible.

Right: 571 Operator in SE finish with pullman latch kit in BM finish

Top Right: 571 Operator in SES finish



Components	Description	Finish
571.1	Touch bar operating device with single point latch* 1200mm length	
571.2	Touch bar operating device with single point latch* 840mm length	SE; SES; SS; PS; PB
571.1.EL	Touch bar motorised operating device with single point latch* 1200mm length	PVD; SSS
571.2.EL	Touch bar motorised operating device with single point latch* 840mm length	
574.V	Pullman latch kit with latches top and bottom	SE; BM; PVD
574.S	Pullman latch kit with upper and lower side acting latches	SE; BM; PVD; SS
574.VS.R	Pullman latch kit with top latch and lower side acting latch for RH doors	SE; BM; PVD
574.VS.L	Pullman latch kit with top latch and lower side acting latch for LH doors	SE; BM; PVD

*The latch may be disabled if required when used with pullman latch kits or when used as part of a double door configuration

The combinations below are the most common applications of the touch bar device and the modular pullman latch kits. When ordering you must order the operating device and the pullman kit(s) required. For further guidance refer to page 24.

The 571 device is available in 2 lengths (specify 571.1 for 1200mm wide and 571.2 for 840mm wide). According to EN1125 the length of the touch bar unit should be as near as possible the effective width of the opening and not less than 60% of the width of the opening.



One Point Latching

- Suitable for use on single doors and the first opening leaf of rebated double doors.
- Upgradeable to multi-point latching.
- Non-handed – suitable for both left and right handed doors.
- Dogging device (hold-open) option available (see page 34 for details).
- Alarm micro-switch option available (see page 34 for details).

Components required

Briton 571.1 or 571.1.EL (1200mm length)
Briton 571.2 or 571.2.EL (840mm length)



Two/Three Point Locking with Upper and Lower Pullmans

- Suitable for use on single doors, rebated and non-rebated double doors.
- Upgradeable to four point locking on single doors.
- Non-handed – suitable for both left and right handed doors.
- Dogging device (hold-open) option available.
- Alarm micro-switch option available.
- Alternative bottom striker option available.

Components required

Briton 571.1 or 571.1.EL (1200mm length)
Briton 571.2 or 571.2.EL (840mm length)
Briton 574.V



Three Point Locking with Two Side Pullmans

- Suitable for use on single doors and the first opening leaf of rebated double doors.
- Upgradeable to four point locking on single doors and first opening leaf of rebated double doors.
- Non-handed – suitable for both left and right handed doors.
- Dogging device (hold-open) option available.
- Alarm micro-switch option available.

Components required

Briton 571.1 or 571.1.EL (1200mm length)
Briton 571.2 or 571.2.EL (840mm length)
Briton 574.S



Three Point Locking with One Upper and One Side Pullman

- Suitable for use on single doors
- Upgradeable to four point locking on single doors.
- Handed – 574.VS.L suitable for left handed doors & 574.VS.R suitable for right handed doors.
- Dogging device (hold-open) option available.
- Alarm micro-switch option available.

Components required

Briton 571.1 or 571.1.EL (1200mm length)
Briton 571.2 or 571.2.EL (840mm length)
Briton 574.VS.L or Briton 574.VS.R



Briton 574.AS additional side pullman latches can be added to any of the systems to provide an additional latching point.



A range of components is available to provide additional functionality to the Briton 570 Series. Refer to page 34 for further details.

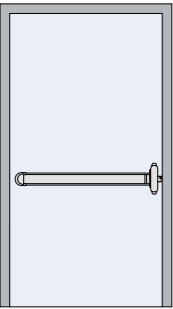
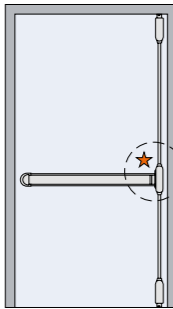
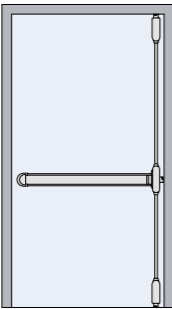
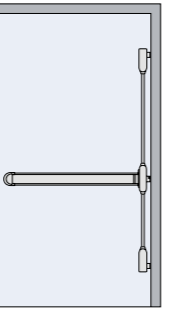
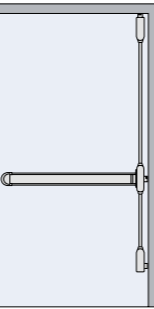





Ordering the right components

When ordering multi point latching options ensure you order a 571 operating device PLUS the appropriate pullman latch kit if required.

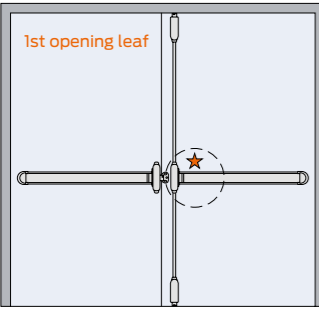
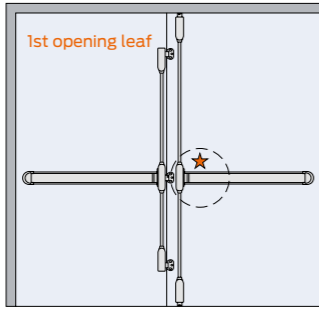
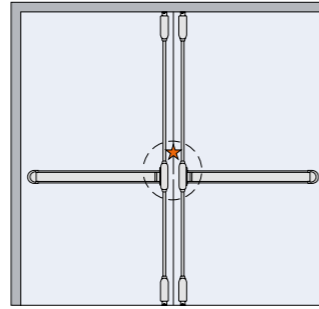
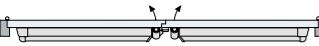
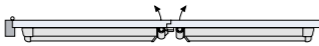

Make sure the finish of the pullman latch kit co-ordinates with the finish of the operating device.

For double door configurations ensure you order ALL the components listed in the tables on page 24.

Single door applications - Briton 570 Series

One point latching	Two point latching	Three point latching	Three point latching	Three point latching
				
				
Part No. Briton 571*	Part No. Briton 571* Briton 574.V	Part No. Briton 571* Briton 574.V	Part No. Briton 571* Briton 574.S	Part No. Briton 571* Briton 574.VS.L

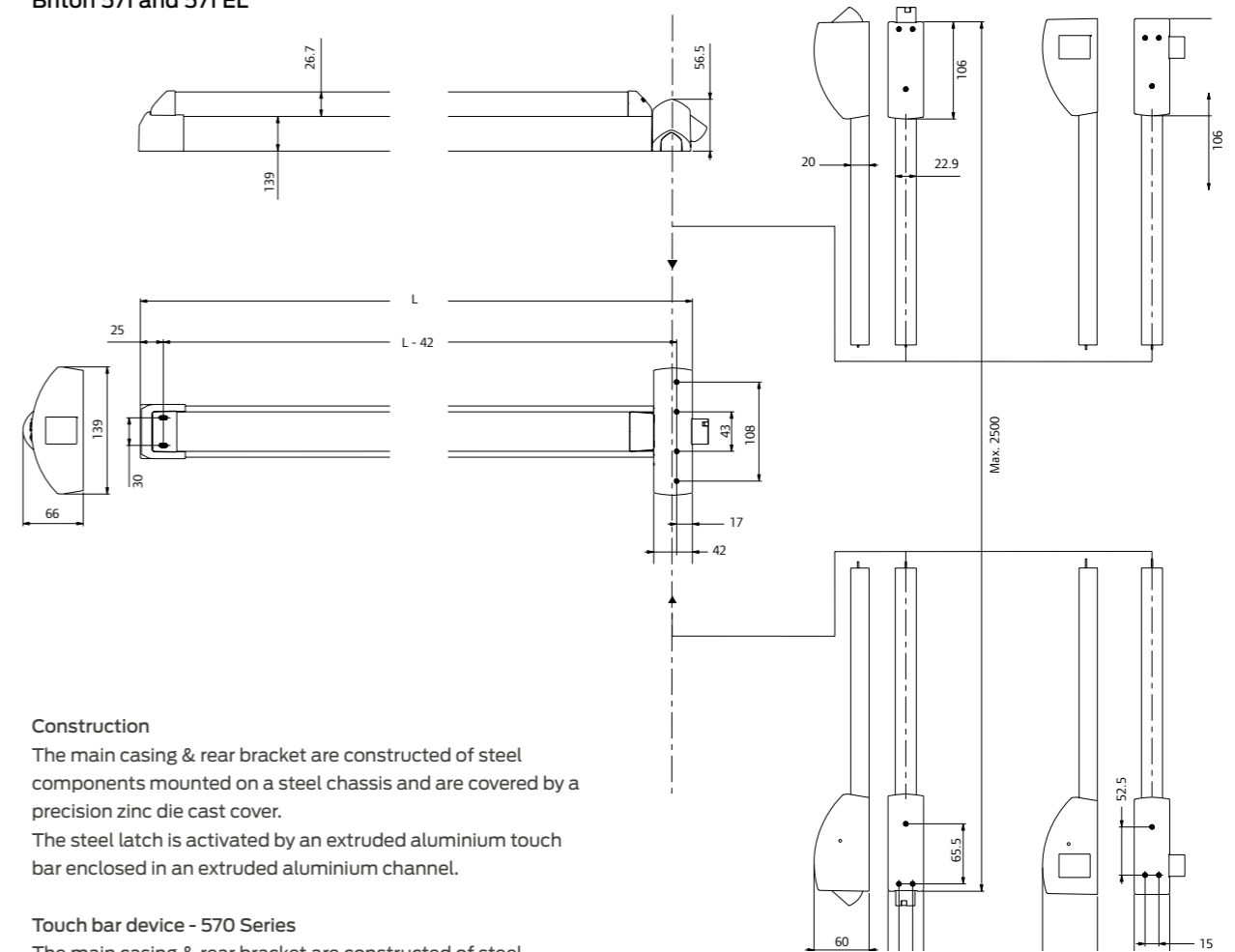
Double door applications - Briton 570 Series

Three point latching - rebated doors	Five point latching - rebated doors	Four point latching - non rebated doors
		
		
Part No. Briton 571*	Part No. Briton 571* Briton 574.V	Part No. Briton 571* Briton 574.S
Part No. Briton 571* Briton 574.V	Part No. Briton 571* Briton 574.V	Part No. Briton 571* Briton 574.V

* The 571 device is available in 2 lengths (specify 571.1 for 1200mm wide and 571.2 for 840mm wide). The touch bar and chassis can be cut down on-site for accurate sizing.

★ Side latch not required - disable during installation

Briton 571 and 571 EL



Construction

The main casing & rear bracket are constructed of steel components mounted on a steel chassis and are covered by a precision zinc die cast cover.

The steel latch is activated by an extruded aluminium touch bar enclosed in an extruded aluminium channel.

Touch bar device - 570 Series

The main casing & rear bracket are constructed of steel components mounted on a steel chassis and are covered by a precision zinc die cast cover.

The steel latch is activated by an extruded aluminium touch bar enclosed in an extruded aluminium channel.

Locking kits (574.V/574.S/574.VS/574.AS)

The locking points are constructed of steel components mounted on a steel chassis incorporating a steel latch. Connection to the push bar or touch bar device is via adjustable stainless steel cable concealed by an extruded aluminium cover.

Fixing/installation

These surface mounted devices come complete with easy to follow pictorial fixing instructions. Self adhesive Accufit templates ensure accurate installation of backplates for mounting the operating mechanism and pullman latches. Mechanisms are clamped onto the backplates. Flexible steel cables connecting the operating mechanism to the pullman latches require no measuring and adjustment screws in the main unit allow for fine adjustments. Clip on covers to the main unit and pullmans complete the installation.

The devices are supplied with adjustable strikers with packers to ensure continued optimum performance. Fixing and maintenance instructions must be passed on to the user upon completion of installation.



Briton 573.N is a touch bar panic exit operator designed specifically for use with mortice nightlatch supplied.

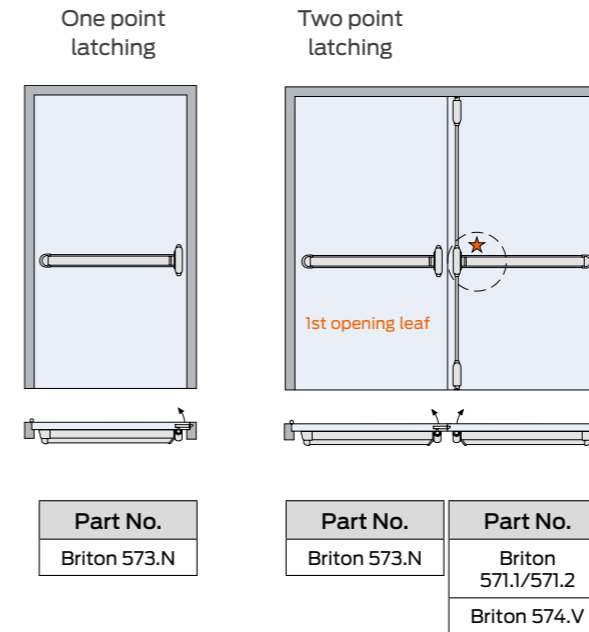
Features and benefits

- Fully compliant with EN 1125 and CE marked
- Supplied with cylinder mortice nightlatch with anti-thrust feature to prevent manipulation of the latch when the door is closed
- Nightlatch accepts euro profile and oval profile cylinders (not supplied)
- Complete with steel box striker
- Alarm micro switch option available
- Robust construction with improved durability suitable for all heavy traffic applications
- Reversible on site for left or right hand doors
- Touch bar and vertical cable covers can be cut on site to suit door width and height
- Grip function on touch bar to allow the door to be pulled closed
- Suitable for doors with a minimum clear opening width down to 500mm. This can be reduced to 350mm where side latches are not required
- Available in a range of sprayed and plated finishes



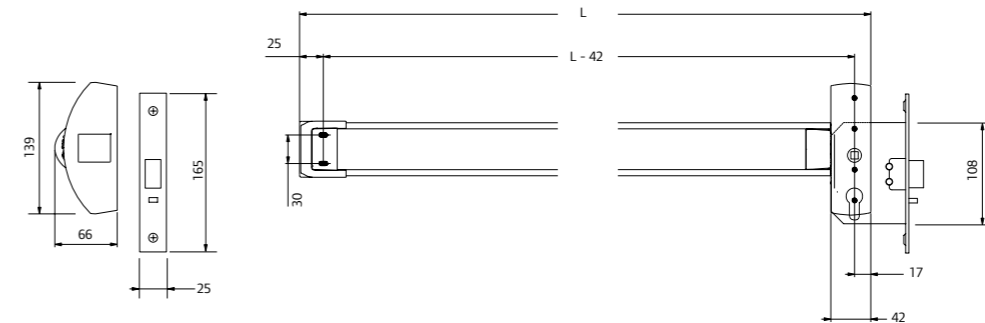
Briton 573.N exit hardware is suitable for application to single doors, and in various combinations on non-rebated and rebated double doors.

Single and double door applications



The 573.N devices are available in 2 lengths (specify 571.1 for 1200mm wide and 571.2 for 840mm wide). The touch bar and chassis can be cut down on-site for accurate sizing.

Components	Description	Finish
573.N.1	Touch bar operating device with mortice nightlatch - 1200mm length	SE; SES;
573.N.2	Touch bar operating device with mortice nightlatch - 840mm length	SS; PS; PB; PVD; SSS
574.V	Pullman latch kit with latches top and bottom (for inactive leaf of double doors)	SE; BM; PVD



Modular electromechanical panic exit device.



THE PANIC EXIT DEVICE WITH HIERARCHICAL ACCESS MANAGEMENT

The Briton 571 EL electronic panic exit device combines the mechanical features and benefits of the 570 Series touch bar panic exit hardware with electronic motorised control.

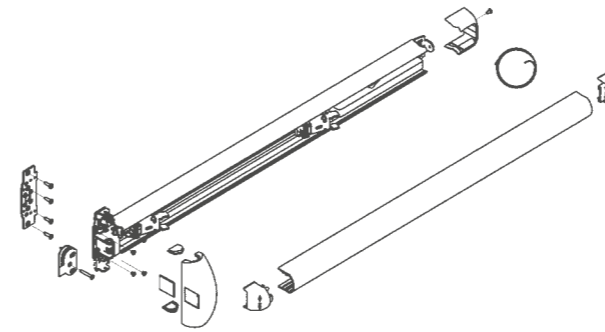


It presents innovative methods for opening doors, selecting access rights, providing open control, freedom and flexibility, including hierarchical authority and timings.

Ideal for high footfall buildings such as schools, offices and hospitals, where many employee and staff entrances will also be one of the fire exits the building.

Operation

The panic exit device has the same features as the mechanical version, in accordance with standard EN1125, and has the additional power-assisted opening function thanks to the interaction between the mechanics and the electronics.



Components

Briton 571.1.EL	1200mm motorised touch bar device
Briton 571.2.EL	840mm motorised touch bar device

Features and benefits

- Fully compliant with EN 1125 and CE marked
- Non handed
- Suitable for doors from 1200 mm down to 600 mm (with the same device)
- Suitable for use also with existing access control system
- Low power usage
- Power supply AC 12-20V (50/60 Hz), DC 12-24V
- Absorbed current (max) 1.5 A (12Vdc)
- Absorbed current (stand by, OUT1-OUT2 not connected) 5mA (12Vdc)
- Length of connecting cable 4 m
- Degree of protection IP20
- Operating temperature: -10 - +50°C
- Recommended power supply equal to or above 15 VA (not provided)
- Warning buzzer
- Timed latch withdrawal after opening, adjustable from 3 to 30 second
- Electronic dogging possible
- Protective anti-bacterial coating applied



The Briton 571 EL panic hardware device can be integrated with a wide range of electronic access control systems including the SimonsVoss and CISA access control options. This provides convenient and controlled access from the outside by pin code or contactless proximity reader, transforming emergency exit doors into effective "smart" entrances.

Modular push pad emergency exit device.

For use in areas which will only be used by trained personnel,

Features and benefits

- Complies with EN 179 suitable for emergency exit applications only.
- Suitable for use on single doors or in combination on double doors.
- Single point latching.
- Suitable for use with additional pullman latch kits.
- Very high corrosion resistance
- Security Grade 5 - 5000N

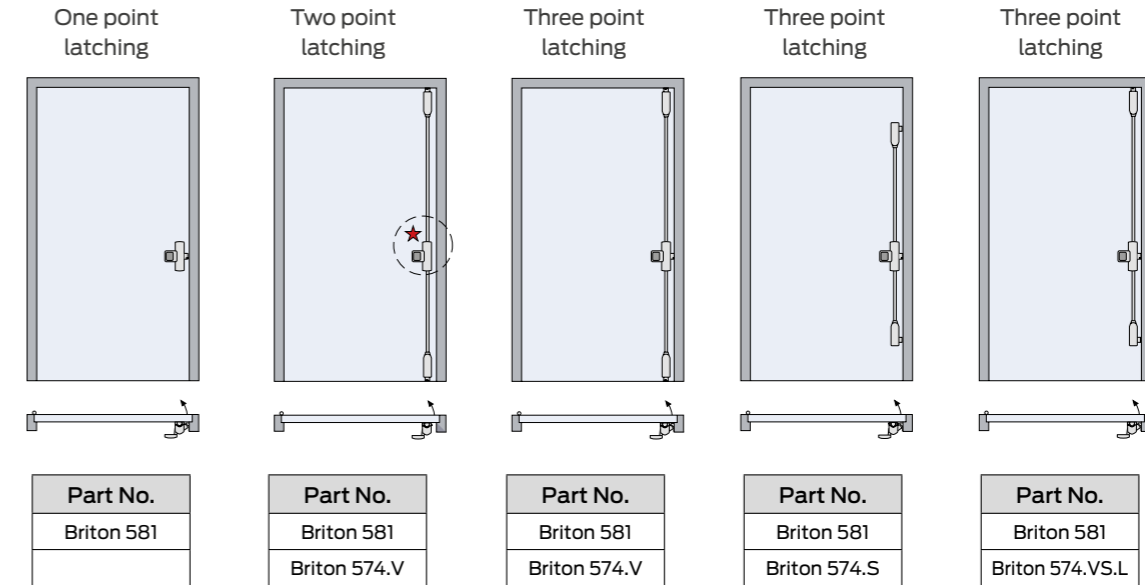


EN 179 Classification - 377B1452BA

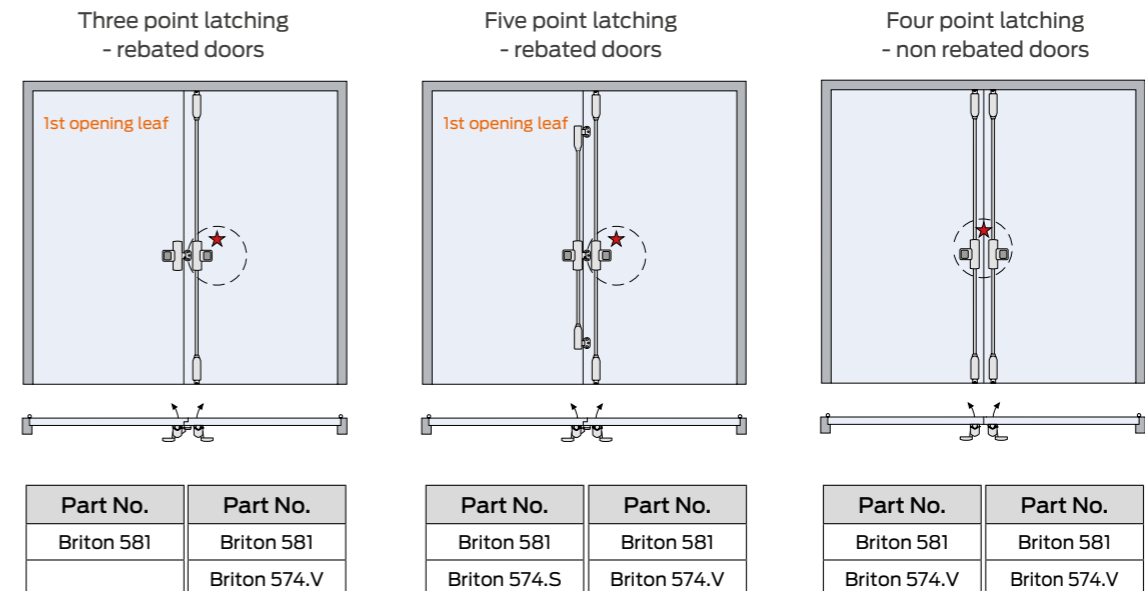
Components	Description	Finish
581	Push pad emergency exit device	SE; BM
574.V	Pullman latch kit with latches top and bottom	SE; BM; PVD;SS
574.S	Pullman latch kit with upper and lower side acting latches	SE; BM; PVD; SS
574.VS.R	Pullman latch kit with top latch and lower side acting latch for RH doors	SE; BM; PVD; SS
574.VS.L	Pullman latch kit with top latch and lower side acting latch for LH doors	SE; BM; PVD; SS

Briton 581 exit hardware is suitable for application to single doors, and in various combinations on non-rebated and rebated double doors.

Single door applications - Briton 581



Double door applications - Briton 581





Device Type	561	571.1	571.2	573.N.1	573.N.2	571 EL	581	574.V	574.S	574.VS.L	574.VS.R	574.AS
Panic exit device	■	■	■	■	■	■						
Emergency exit device							■					
Touch bar operator		■	■	■	■	■						
Push bar operator	■											
Push pad operator							■					
Single point latch	■	■	■			■	■					
Pullman latches top/bottom				n/a	n/a			■				
Pullman latches side acting				n/a	n/a				■			■
Pullman latches - top and side acting bottom combination				n/a	n/a					■	■	
Mortice nightlatch				■	■							
Features												
Adjustable shoots									■			
Touch bar/push bar cut on-site	■	■	■	■	■	■						
Fast-Fix cable system								■	■	■	■	■
Vertical cable cover cut on-site								■	■	■	■	■
Self handed	■	■	■	■	■	■	■	■	■			■
Handed - specify when ordering										■	■	
For use with access control systems						■						
Timed latch withdrawal after opening						■						
Alarmed	□	□	□	□	□		□					
Dogged hold-open facility	□	□	□	□	□		□					
C/W mortice cyl. nightlatch				■	■							
Protective anti-bacterial coating						■						
5 year guarantee	■	■	■	■	■	■	■	■	■	■	■	■
Finishes												
Powder coated silver	■	■	■	■	■	■	■	■	■	■	■	■
Plated finishes	■	■	■	■	■	■	■	■	■	■	■	■

■ Standard feature □ Optional feature using accessories



Standards and testing	561	571.1	571.2	573.N.1	573.N.2	571 EL	581	574.V	574.S	574.VS.L	574.VS.R	574.AS
Fully compliant to EN 1125	■	■	■	■	■	■						
Fully compliant to EN 179							■					
Suitable for fire doors	■	■	■	■	■	■	■	■	■	■	■	■
Fire tested to EN 1634 (Timber door 120 min) **	■	■	■	■	■	■	■	■	■	■	■	■
EN Classification												
To EN 1125 - 377B1422AA	■											
To EN 1125 - 377B1422BA		■	■	■	■	■						
To EN 179 - 377B1452BA							■					

** - Nightlatch to be bedded on 1mm intumescent material

Accessories	561	571.1	571.2	573.N.1	573.N.2	571 EL	581	574.V	574.S	574.VS.L	574.VS.R	574.AS
1413 outside access unit	■	■	■	■	■		■					
9260 digital code unit	■	■	■									
566.AK alarm unit	■											
576.AK alarm unit		■	■	■	■							
566.DK hold-open dogging unit	■											
576.DK hold-open dogging unit		■	■									
574.STE easy clean floor socket						■		■		■	■	
574.STP strike for PVCu doors	■	■	■			■	■		■	■	■	■
576.RE Top rod extension kit						■		■		■	■	
SV.MK.TRA.PINCODE Keypad						□						
SV.MK.SREL2.ZK.G2.W Smart Relay						□						
SV.MK.TRA2.G2 Transponder						□						
SV.MK.CD.STARTER.G2 USB programmer						□						
06525-75-0 Keypad						□						
06515-20-0 Door loop						□						
06515-21-0 Door loop						□						
06515-15-0 Door loop						□						
06515-00-0 Door spring						□						

Briton 560-570 Series - Accessories

Briton 576.RE

Top rod extension kit

Rod extension kits are suitable for use with both Briton 560, 570 and 581 devices on doors in areas that require the push bar or touch bar to be in a lower position e.g schools. These can also be used on doors up to 3350mm high, however doors over 2500mm high are outside the scope of EN 1125.

Finish: silver or matt black



Briton 574.STE

Easy clean socket for use with lower pullman on either Briton 560, 570 or Briton 581.

Finish: matt black



Briton 574.STP

Strike for PVCu doors

Adjustable strike for use with top or side pullmans fitted to PVCu frames with a projection of 14 - 24mm.

Finish: matt black



Alarm switch kits

These units allow standard models to be connected to electronic audio/visual alarm or door control systems giving immediate notification of use when the panic device is operated.

The door cannot be opened without the system being activated.

The switch is mounted in the end box of the panic operator.

566.AK

Alarm switch kit for use with Briton 560 only



576.AK

Alarm switch kit for use with Briton 570 only



Dogging device (hold-open) kits

These units allow standard models to be upgraded to permit free access when required.

The manual hold-open function is operated by a key and holds all latches in the withdrawn position.

566.DK

Dogging device kit for use with Briton 560 only



576.DK

Dogging device kit for use with Briton 570 only (not suitable for Briton 573)



Briton 571 EL - Accessories

Access Control Accessories

The Briton 571 EL can be used in conjunction with CISA and SimonsVoss access control systems with the PinCode keypad, transponder or card reader as the electronic key.

SV.MK.TRA.PINCODE

Mobilekey PinCode Keypad



06525-75-0

CISA Access Control Keypad



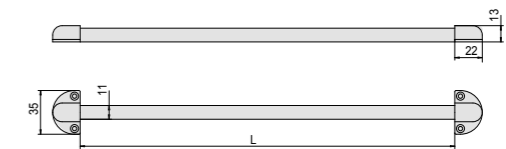
SV.MK.SREL2.ZK.G2.W

Mobilekey Digital SmartRelay



06515-20-0

CISA Door Loop - 300mm



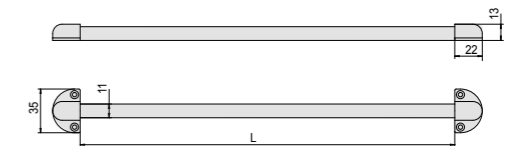
SV.MK.TRA2.G2

Transponder



06515-21-0

CISA Door Loop - 600mm



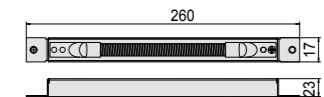
SV.MK.CD.STARTER.G2

Mobilekey USB programming device



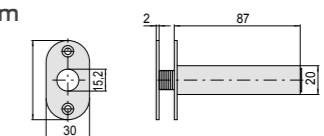
06515-15-0

CISA Concealed Door Loop - 260mm



06515-00-0

CISA Concealed Door Spring - 87 x 20mm



Standard push bar panic and emergency exit devices.

Features and benefits

- CE Marked (AAA011)
- Fully certified to EN 1125 or EN 179
- Products designed to satisfy panic exit applications and emergency exit applications
- Suitable for single and double doors
- Self handed or site reversible
- Durable aluminium die cast body and end boxes with extruded aluminium guides
- Steel shoot bolts
- Tubular steel shoots and cross bar can be cut on-site to suit door width and height
- Options include manual dogging, alarmed versions and pullman latches



EN1125 Classification - 376B1322AA

EN179 Classification - 376B1342BA

In distinct contrast to the modular nature of the Briton 560 - 570 Series, the long established Briton 376 Series is supplied as a complete boxed product. Versions with pullman latches or other additional features such as alarm connection are specified as complete assemblies which are identified by the following suffixes to the product code:

- .P with pullman latches
- .N with mortice nightlatch
- .A with alarm facility
- .D with manual dogging (hold-back function)





EN1125 Classification - 376B1322AA

“The most important thing you must consider when specifying panic exit hardware is who might be in the building in the event of an emergency.”

IMPORTANT NOTE - If you are in any doubt at all ALWAYS use products that conform to EN 1125

The following range consists of a vertical panic bolt, rim panic latch and a mortice nightlatch operator. Each product is operated by a horizontal push bar which, when pushed in a downward arc, withdraws either the bolts or the latch, releasing the door for immediate escape in the event of an emergency.

Where personnel have not been trained in the location and operation of the buildings exit devices or members of the public have access, exit devices conforming to EN 1125 must be specified and installed.



Briton 376 vertical panic bolt

- Two point locking for extra security
- Anti-thrust device, prevents unauthorised latch retraction
- Suitable for single and double door applications
- Self-handed - will suit both left and right handed doors
- Suitable for doors up to 2500mm high x 1300mm wide (extension rods required to achieve max. sizes)
- Optional models include pullman latches, alarmed and manually dogged (hold-open) functions
- Adjustable top and bottom shoots
- Supplied with easy clean socket
- Metal door variant with metal door strikes & machine screws (376M)



Briton 378 reversible rim panic latch

- Suitable for single doors and first opening leaf of double doors with rebated meeting stiles
- Supplied in left or right hand, but can be reversed on site
- Suitable for doors up to 1300mm wide
- Double door strike available for rebated double door applications
- Manual dogging option (hold-open)
- Can be used with rim cylinder fitted to the outside of the door
- Metal door variant with metal door strikes & machine screws (378M)



Briton 379.N mortice panic nightlatch

- For single doors and the first opening leaf of double doors
- Supplied right hand, but can be reversed on site
- For doors up to 1300mm wide
- Supplied with dual profile cylinder mortice nightlatch, accepts both euro and oval profile cylinders (cylinder not supplied)
- Anti-thrust device prevents unauthorised latch retraction
- Alarmed and manually dogged (hold-open) options
- Metal door variant with metal door strikes & machine screws(379M.N)

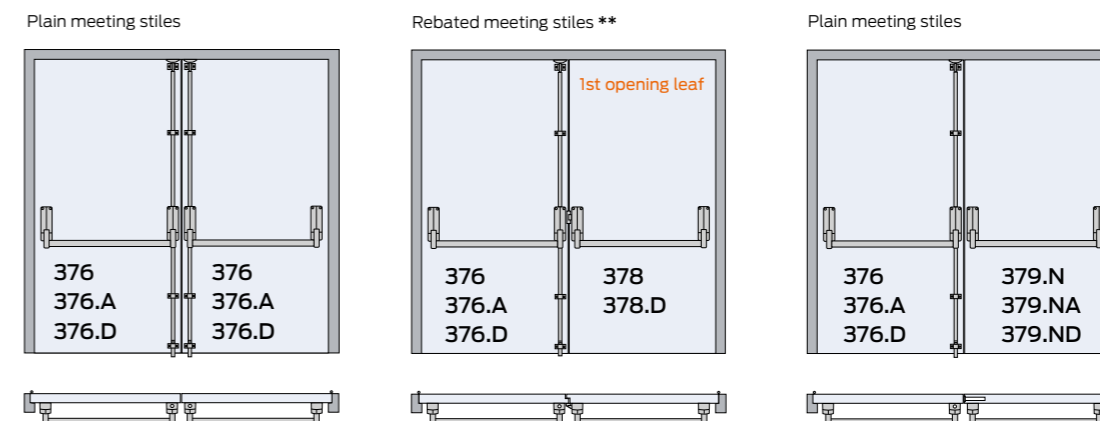
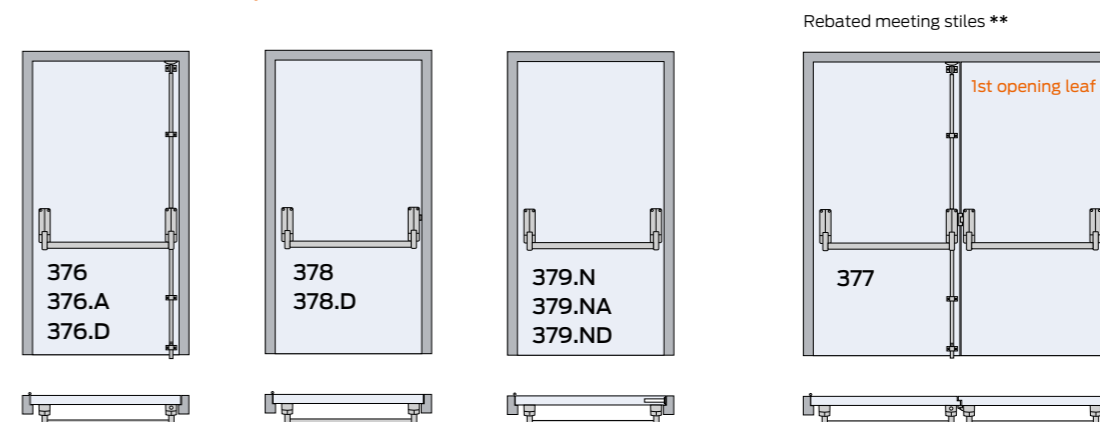


Briton 377
Double rebated door panic set
 Comprises a Briton 376 vertical panic bolt, 378 reversible rim panic latch & 378DDS double door strike in one convenient pack.
 For information on metal door options please see page 44 for further details.

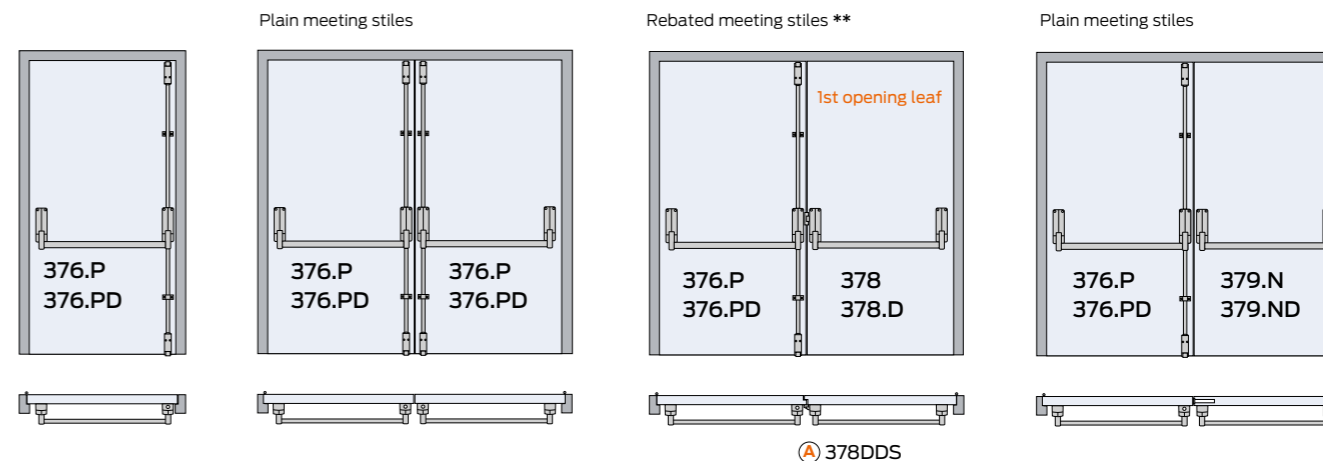
Briton 376 series panic and emergency exit hardware is suitable for application to single doors, and in combinations on non-rebated and rebated double doors.

EN 1125 - panic applications

Vertical devices with top and bottom shoot bolts



Vertical devices with top and bottom pullman latches



(A) Accessories required

** Consideration should be given to the use of door co-ordinating devices for rebated pairs of doors. A door co-ordinating device must be used for fire/smoke applications.

“These products should never be used in areas open to the general public.”

IMPORTANT NOTE - If you are in any doubt at all ALWAYS use products that conform to EN 1125

Products conforming to EN 179 are only intended for use by personnel who are fully aware of the escape routes and have been trained to operate these devices. The following range consists of a push pad vertical bolt, reversible push pad rim latch and push pad mortice nightlatch. Each product when operated withdraws either the bolts or the latch, releasing the door for immediate escape in the event of an emergency.



Briton 372 push pad vertical bolt

- Pad operated vertical bolt
- Anti-thrust device, prevents unauthorised latch retraction
- Suitable for single and double door applications
- Self-handed to suit left and right handed doors
- Security - Grade 4: 3,000 Newtons
- Suitable for doors up to 2500mm high x 1300mm wide (extension rods are required to achieve maximum sizes)
- Adjustable top and bottom shoots
- Supplied with easy clean socket
- Metal door variant with metal door strikes & machine screws (372M)



Briton 1438 push pad rim latch

- Pad operated rim latch
- Suitable for use on single doors and the first opening leaf of rebated double doors
- Supplied in left or right hand, but can be reversed on site
- Suitable for doors up to 1300mm wide
- Security - Grade 4: 3,000 Newtons
- Double door strike available for rebated double doors
- Can be used with a rim cylinder fitted to the outside of the door
- Metal door variant with metal door strikes & machine screws (1438M)

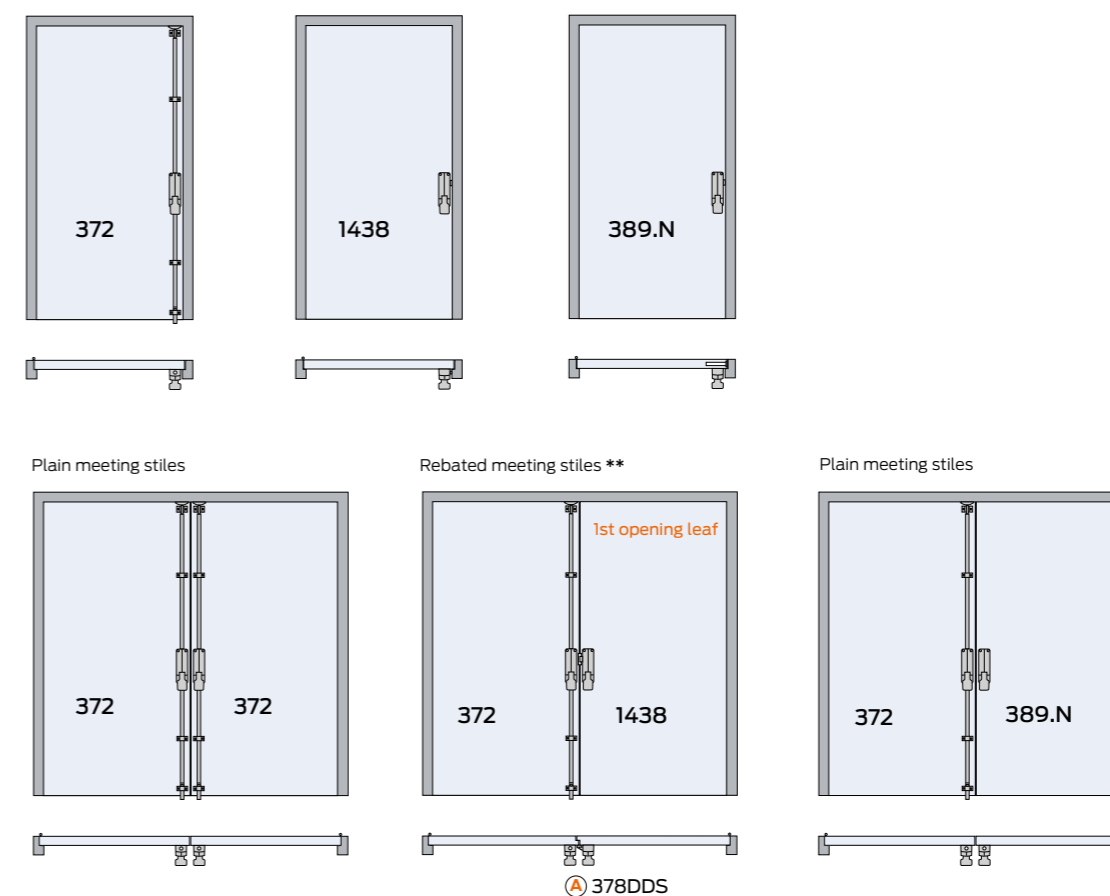


Briton 389.N push pad mortice nightlatch

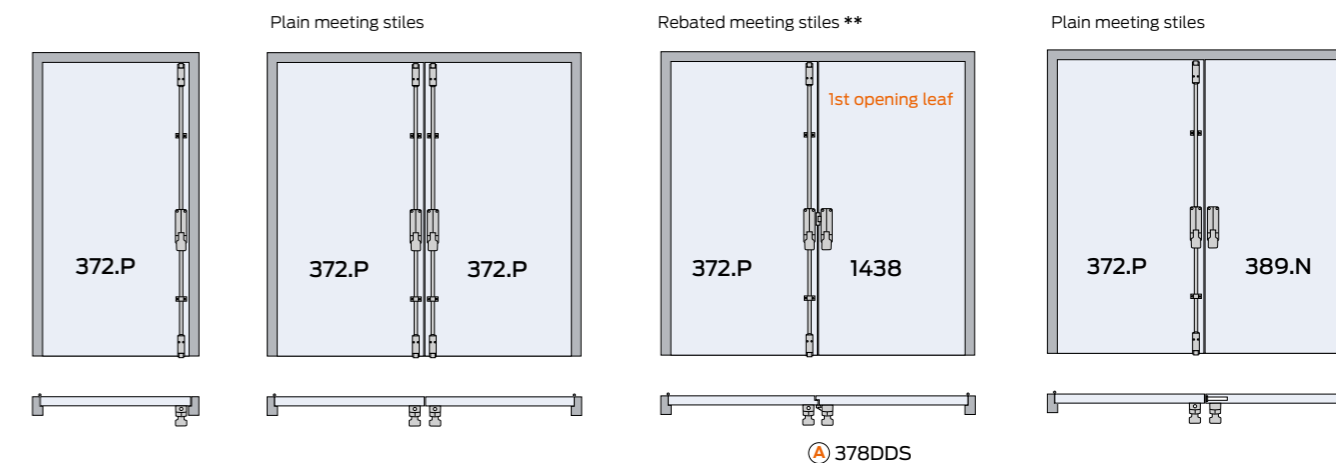
- Pad operated mortice nightlatch
- Suitable for use on single and the first opening leaf of double doors
- Supplied right hand, but can be reversed on site
- Security - Grade 4: 3,000 Newtons
- Suitable for doors up to 1300mm wide
- Supplied with dual profile cylinder mortice nightlatch, accepts euro and oval profile cylinders (cylinder not supplied)
- Anti-thrust device, prevents unauthorised latch retraction
- Metal door variant with metal door strikes & machine screws (389M.N)

EN 179 - emergency applications

Vertical devices covered by EN 179



Vertical devices with top and bottom pullman latches



A Accessories required

** Consideration should be given to the use of door co-ordinating devices for rebated pairs of doors. A door co-ordinating device must be used for fire/smoke applications.



Device Type	376	376.D	376.P	376.PD	376.A	378	378.D	377	379.N	379.NA	379.IND	372	372.P	1438	389.N
Panic exit device	■	■	■	■	■	■	■	■	■	■	■				
Emergency exit device												■	■	■	■
Vertical bolts	■	■	■	■	■			■							
Rim latch						■	■								
Rebated double door set								■							
Mortice nightlatch									■	■	■				
Pad operated vertical bolt												■	■		
Pad operated rim latch														■	
Pad operated mortice nightlatch															■
Features															
Adjustable shoots	■	■	■	■	■			■				■	■		
Push bar or shoots cut on-site	■	■	■	■	■	■	■	■	■	■	■				
Self handed	■	■	■	■	■							■	■		
Easy on-site handing						■	■	■	■	■	■			■	■
Handed - specify when ordering						■	■	■						■	
Alarmed - requires power					■					■					
Dogged hold-open facility		■		■			■				■				
C/W mortice cyl. nightlatch									■	■	■				■
Pullman latches top/bottom			■	■										■	
Metal door variant available	■		■			■			■			■	■	■	■
5 year guarantee	■	■	■	■	■	■	■	■	■	■	■	■	■	■	■
Finishes															
Powder coated silver	■	■	■	■	■	■	■	■	■	■	■	■	■	■	■
Plated finishes	■	■	■	■	■	■	■	■	■	■	■	■	■	■	■



Standards and testing	376	376.D	376.P	376.PD	376.A	378	378.D	377	379.N	379.NA	379.IND	372	372.P	1438	389.N
Fully compliant to EN 1125	■	■	■	■	■	■	■	■	■	■	■				
Fully compliant to EN 179												■	■	■	■
Suitable for fire doors	■	■	■	■	■	■	■	■	■	■	■	■	■	■	■
Fire tested to EN 1634 (Timber door 120 min) **	■	■	■	■	■	■	■	■	■	■	■	■	■	■	■
Fire tested to EN 1634 (Steel door 240 min)	■	■	■	■	■	■	■	■	■	■	■	■	■	■	■
EN Classification															
376B1322AA	■	■	■	■	■	■	■	■	■	■	■				
376B1342BA												■	■	■	■

** - Nightlatch to be bedded on 1mm intumescent material

Accessories	376	376.D	376.P	376.PD	376.A	378	378.D	377	379.N	379.NA	379.IND	372	372.P	1438	389.N
1413 outside access unit	■	■	■	■	■	■	■	■	■	■	■	■	■	■	■
9260 digital code unit	■	■	■	■	■	■	■	■				■	■	■	
376ELTS extra long top shoot	■	■	■	■	■			■				■	■		
376FFKP flush face keeper	■	■			■			■				■			
378DDS double door strike						■	■	■						■	
376MDS metal door strike	■	■	■	■	■			■				■	■		
378MDS metal door strike						■	■	■							
379MDS metal door strike									■	■	■				■

Briton 376 Series - Accessories



Pullman latches

For doors that are subject to high levels of traffic, for example interconnecting doors in high populated areas, pullman latches on a vertical panic bolt provide a smooth and quiet alternative.

Pullman latches are supplied as standard on Briton 376.P, 372.P and 376.PD. To upgrade existing installations, pullman latch kits 376/931 can be supplied separately.

Also available with metal threaded screws (376M.P, 372M.P).



376ELTS - Extra long top shoot

Extra long top shoots are suitable for use on doors in areas that require the push bar to be in a lower position e.g schools. It can also be used on doors up to 3350mm high, however doors over 2500mm are outside the scope of EN 1125 and EN 179.

Available in a range of finishes.



378DDS - Double door strike

For use on double rebated door applications with a rim panic latch on the first opening leaf and a vertical bolt on the second opening leaf.

Available in a range of finishes.



376FFKP - Flush face keeper plate

For applications where there is a flush head frame a flush face keeper plate can be used to secure the bolt.

Metal Door Applications



Briton 378MDS metal door strike for use with Briton 378 rim devices on single doors, or on the first opening leaf of a double rebated application.

All Briton exit devices are supplied with self-tapping screws suitable for timber and metal doorsets.

For customers who prefer machine screws, alternative fixing packs are available.



Briton 376MDS

For vertical panic bolts. Comprises 2 strike plates and 1 trip plate to activate the top tripper



Briton 379MDS metal box strike for use with Briton 379.N mortice panic nightlatch.

Briton 376 Series - Finishes

All exit devices and outside access devices are available in a wide range of finishes including:

Powder coated finishes

Silver (SE) finish is powder coated for increased durability having been salt-spray tested in excess of 240 hours. We recommend you use Silver (SE) finish for highly corrosive areas.

Metallic plated finishes

Satin stainless steel (SS), polished stainless steel (PS), polished brass (PB)

Double door strikes and metal door strikes are available colour matched.

Powder Coated Finishes



silver (SE)

Metallic Plated Finishes



satin stainless steel (SS)



polished stainless steel (PS)



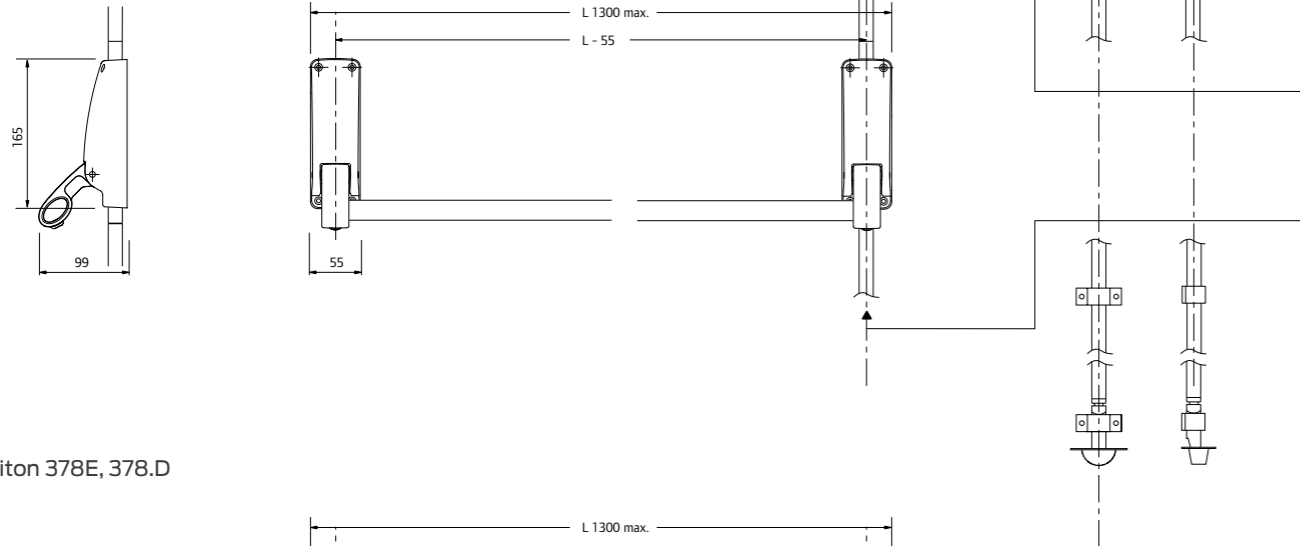
polished brass (PB)



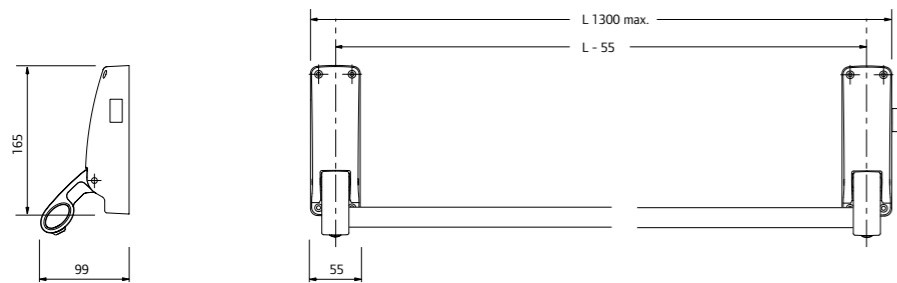
Due to the limitation of the printing process, we suggest you check your final choice of finish against the actual products or sample swatch.

Briton 376 Series - Technical data

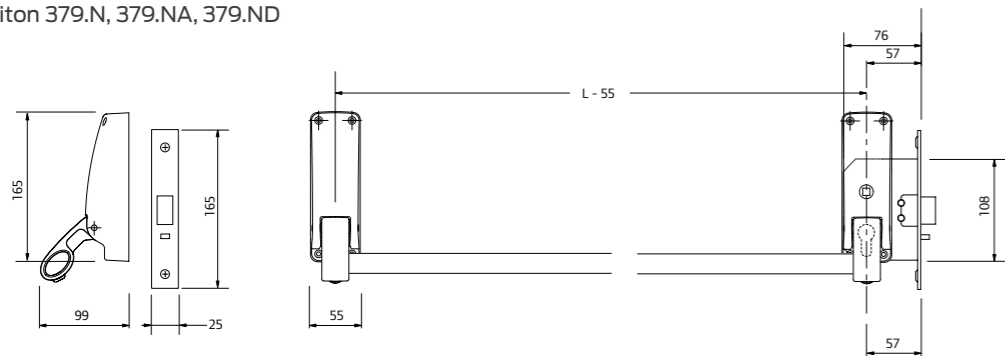
Briton 376, 376.D, 376.P, 376.PD, 376.A



Briton 378E, 378.D



Briton 379.N, 379.NA, 379.ND



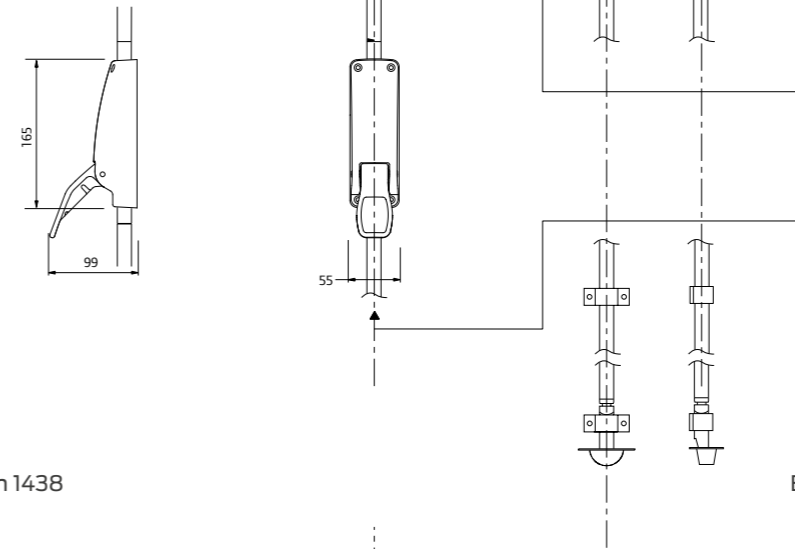
Door sizes

All products are suitable for use on doors up to 2500mm high x 1300mm wide. Minimum width of stiles 78mm for 13mm rebates and 90mm for 25mm rebates. For doors with less than 665mm clear opening width please seek advice from Technical Support on 0800 834102.

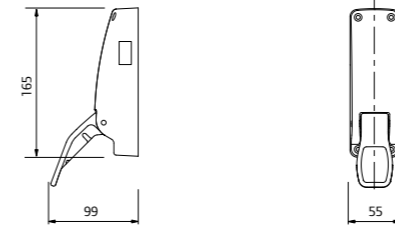
For Briton 379.N, 379.NA & 379.ND minimum door thickness is 40mm and minimum width of stile is 88mm.

Briton 376 Series - Technical data

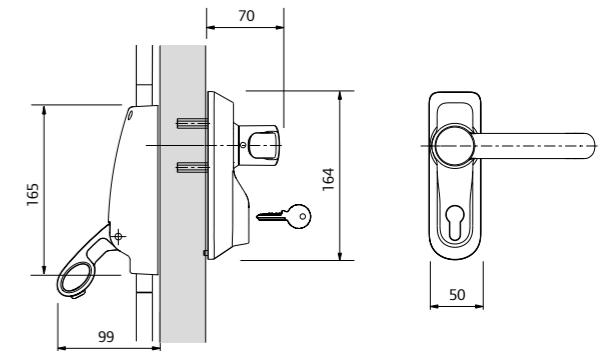
Briton 372, 372.P



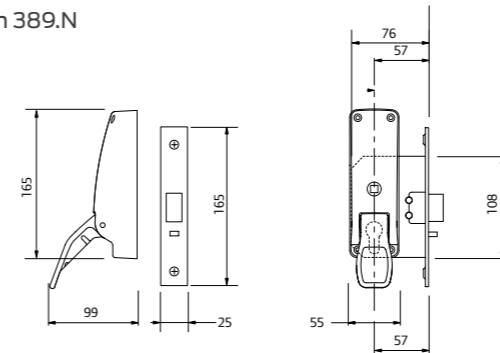
Briton 1438



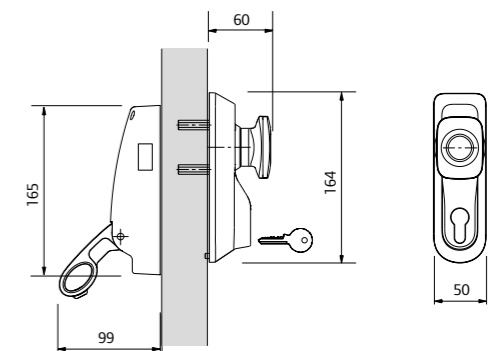
Briton 1413.LE



Briton 389.N



Briton 1413.KE



Outside Access Devices

A series of outside access devices which can be used with any Briton 560, 570 or 376 Series panic and emergency exit devices. They provide a simple means of accessing the door from the outside.

- Designed to suite with all Briton CE compliant exit devices
- Suitable for doors 40mm to 70mm thick
- Fixings suitable for timber & metal doorsets
- Powder coated for additional durability – silver, gold and brown bronze
- Choice of plated finishes – satin stainless steel, polished stainless steel and polished brass
- Clearly illustrated instructions and template enabling accurate installation
- 5 year guarantee



Briton 1413.LE - lever variant

- Anti vandal design includes a clutch mechanism which allows the lever to rotate when the unit is locked
- Site reversible lever provides good grip and easy action
- Easy retrofit on existing Briton 1413E models
- Supplied with euro-profile cylinder standard differ cylinder. Keyed-alike or master-keyed cylinder options available
- Cylinders can be incorporated into existing masterkey systems
- BS 8300 compliant lever
- Optional key retention

Briton 1413.KE – knob variant

- Ergonomic design providing improved grip in wet conditions.
- Supplied with euro-profile cylinder standard differ cylinder. Keyed-alike or master-keyed cylinder options available
- Non-handed

Note: not recommended for high use areas

Briton 9260 digital code lock

- Digital code lock option has over 2047 non sequential code options
- Supplied with extra long spindles for use with Briton exit devices
- Reversible lever operation for left or right hand applications
- Code can be changed by removing the unit from the door
- Not suitable for use with 389.N

Installation

Comprehensive installation instructions are provided with all Briton 560, 570, 580 and 376 Series exit devices.

Maintenance

Panic and emergency exit hardware play a vital role in the buildings escape route, and it is important that these devices are inspected and maintained properly to ensure safety at all times.

As recommended in EN 1125 and EN 179 the following routine maintenance checks should be undertaken at intervals of not more than 1 month by the occupier or his approved representative:

- Inspect and operate the emergency exit device to ensure all components are in satisfactory working condition
- Ensure that keepers are free from obstruction

Fire/smoke

Reference the Fire Precautions Act 1971, always consult the Local Fire Officer for his/her interpretation of the Act before finalising specification. Products within the Briton 560, 570 and 376 Series have been included in successful fire tests to EN 1634 and/or BS 476 Part 22. Contact Technical Support on 0800 834102 for the precise field or application details.

Guarantee

To back up the high quality performance guarantee and durability of Briton panic and emergency exit devices, they are supplied with a 5 year guarantee on mechanical parts, with free replacement ex-works of any panic and emergency exit hardware proved defective by reason of either faulty manufacture or defect in materials.

CE certification

Copies of our CE Certificates and declaration of performance are available to download from our website:

www.allegion.com/uk

Special applications

For special applications outside those mentioned within this brochure please contact technical support on 0800 834102 who will be able to advise and assist with product selection for non-standard installations.

Technical support

If you have any queries regarding Briton exit devices and product selection please call our technical support department who will be pleased to offer any assistance on any aspect of our products including queries on:

- Product selection
- Advice on installation
- Trouble shooting
- Ancillary products and spare parts.

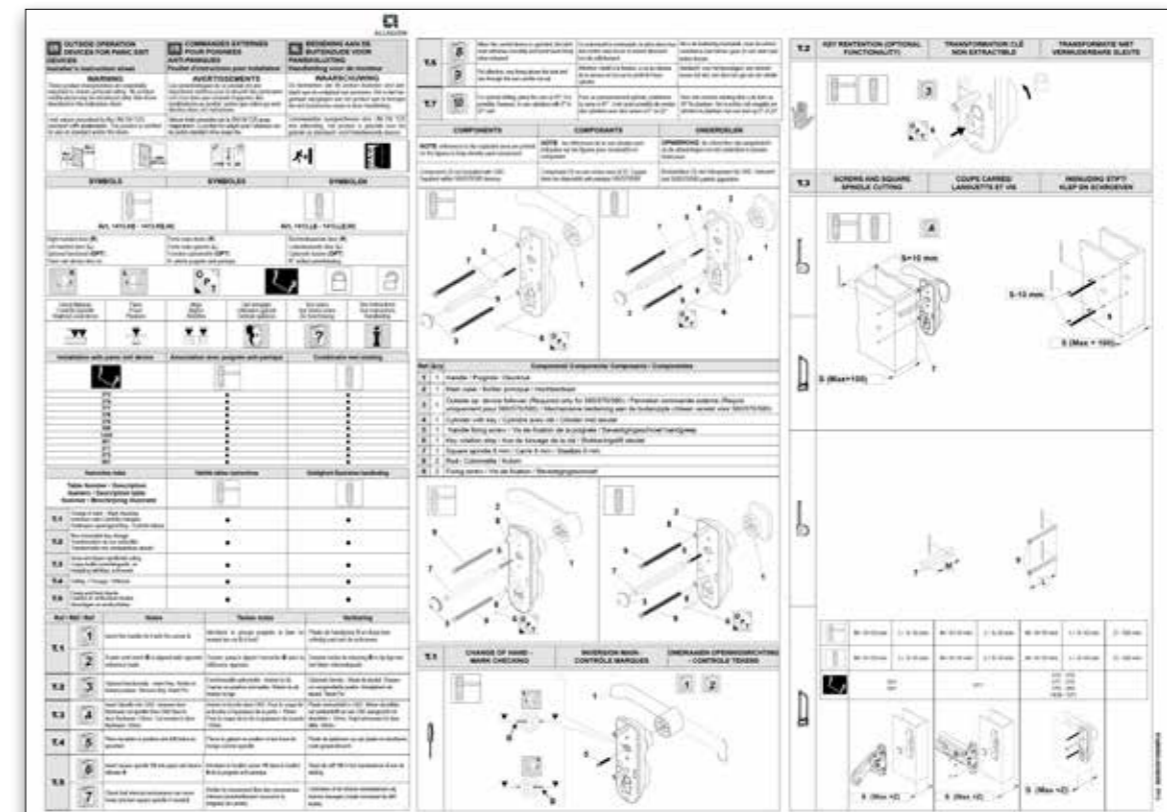
For further details call the Technical Support team on freephone 0800 834102

Supply & quotations

The Briton 560, 570 and 376 Series are available through a nationwide network of architectural ironmongers and builders' merchants.

For your local stockist please contact the Customer Care Team on +44 (0) 121 380 2400 or visit our website

www.allegion.com/uk



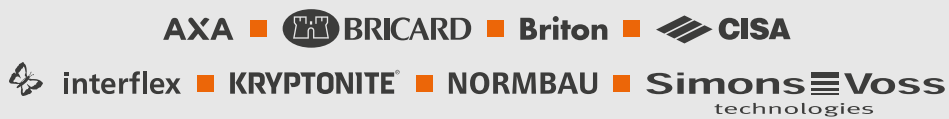
Cl/Sfb	(31.59)	X	
Uniclass	L4181		

February 2017

About Allegion

Allegion (NYSE: ALLE) is a global pioneer in safety and security, with leading brands like CISA®, Interflex®, LCN®, Schlage® and Von Duprin®. Focusing on security around the door and adjacent areas, Allegion produces a range of solutions for homes, businesses, schools and other institutions. Allegion is a \$2 billion company, with products sold in almost 130 countries.

For more, visit allegion.com



Allegion (UK) Limited

35 Rocky Lane
Aston
Birmingham
B6 5RQ

Tel: +44 (0) 121 380 2400
Email: contactuk@allegion.com
Web: allegion.com/uk

